

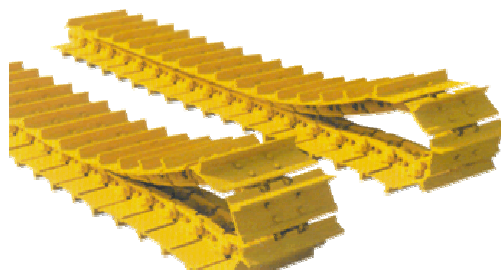
# EP400 SERIES TRACK DRIVES



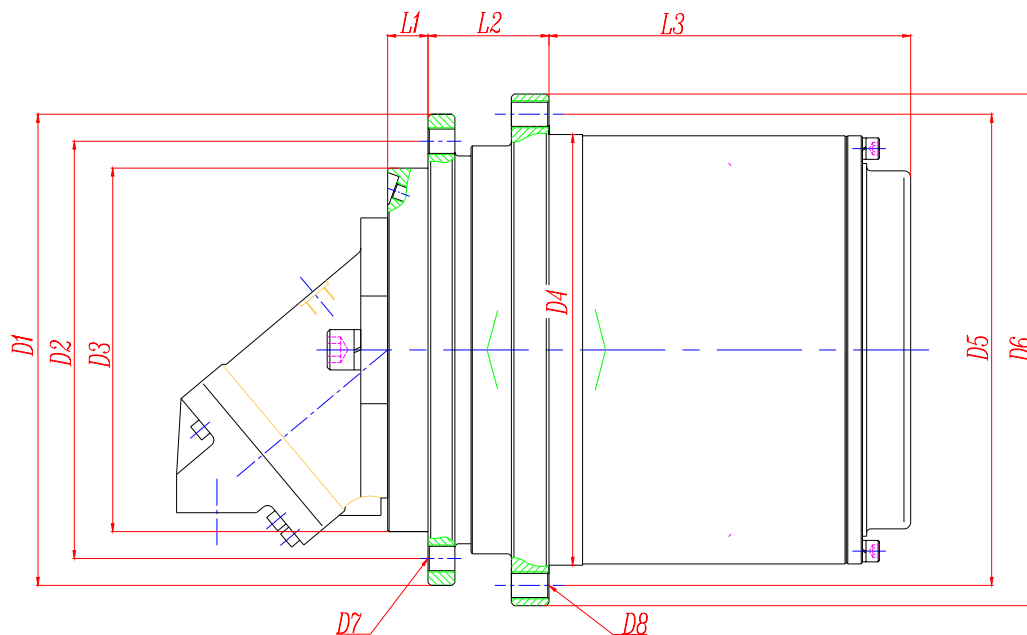
The EP400 series track drives by **ZheJiang Ever-Power Transmission Co.,Ltd.** enjoy following features:

1. **Output torque Range:** 1000 ... 220000 N.m
2. **Gear Ratios:**  $i=5.3 \dots 365$
3. **Support:** rotating housing flange to fit tracks
4. **Applicable motors:** axial piston hydraulic motors, Hydraulic orbit motors
5. **Hydraulic motor options:** Pressure relief valve, Overcenter valve on request
5. **Brake:** hydraulic released parking brake on request

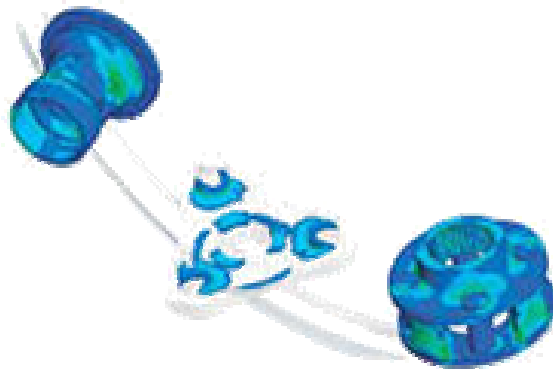
Track drives Type	Max. torque N.m	Range of ratios ( i )	Max. Input speed (rpm)	Braking torque (N.m)
EP400 L1	1300	6.09	1000	120-250
EP401 L1	2800	6.09	1000	250-350
EP402 L2	5000	12.4-25.8	3000	-----
EP403 L2	6000	15.4-40	3000	220-310
EP405 L2	10000	20-53	3000	220-310
EP406L2, L3	17000	26-140	3000	220-450
EP406AL3	24000	90-140	3000	300
EP407 L3	36000	66-140	3000	550
EP410 L3	50000	67-150	3000	800
EP413 L3	60000	94-170	3000	750
EP414 L3	80000	76-186	3000	1025
EP415 L3	110000	95-215	3000	1100
EP416 L3	160000	160-250	3000	1100
EP417 L3	220000	95-365	3000	1400



## TRACK DRIVES



Track drives	Dimensions										
	D1	D2	D3	D4	D5	D6	D7	D8	L1	L2	L3
EP400 L1	195	175	155	160	180	200	M10×1.5 n=8	M10×1.5 n=8	21	40	104
EP401 L1	230	200	180	190	210	230	M10×1.5 n=8	M10×1.5 n=8	21	40	130
EP402 L2	190.5	165.1	133.3	200	241.3	279.4	5/8"-11 UNC n=8	1/2"-13 UNC n=9	10.2	105.9	145
EP403 L2	260	230	190	200	240	280	M16×2 n=8	M20×1.5 n=8	34	72	160
EP405 L2	260	230	190	220	260	290	M16×2 n=12	M16×2 n=16	18	72	166
EP406L2,L3	320	290	250	280	305	330	M20×2.5 n=16	M16×2 n=16	30	82	230
EP406AL3	320	290	250	280	305	330	M20×2.5 n=16	M16×2 n=16	30	82	240
EP407 L3	350	310	270	320	350	380	M20×2.5 n=16	M16×1.5 n=20	30	90	269
EP410 L3	350	310	270	350	400	430	M20×1.5 n=20	M20×1.5 n=16	40	82	313
EP413 L3	410	370	330	370	410	450	M20×1.5 n=20	M20×2.5 n=20	25	114	318
EP414 L3	480	430	380	430	480	520	M24×3 n=20	M24×3 n=20	22	148	338
EP415 L3	500	460	420	460	500	540	M24×3 n=24	M18×1.5 n=36	22	165	361
EP416 L3	560	510	450	535	600	650	M24×2 n=30	M24×2 n=30	30	168	380
EP417 L3	650	600	460	610	680	735	M24×2 n=30	M24×2 n=30	45	170	400



# 600 SERIES WHEEL DRIVES



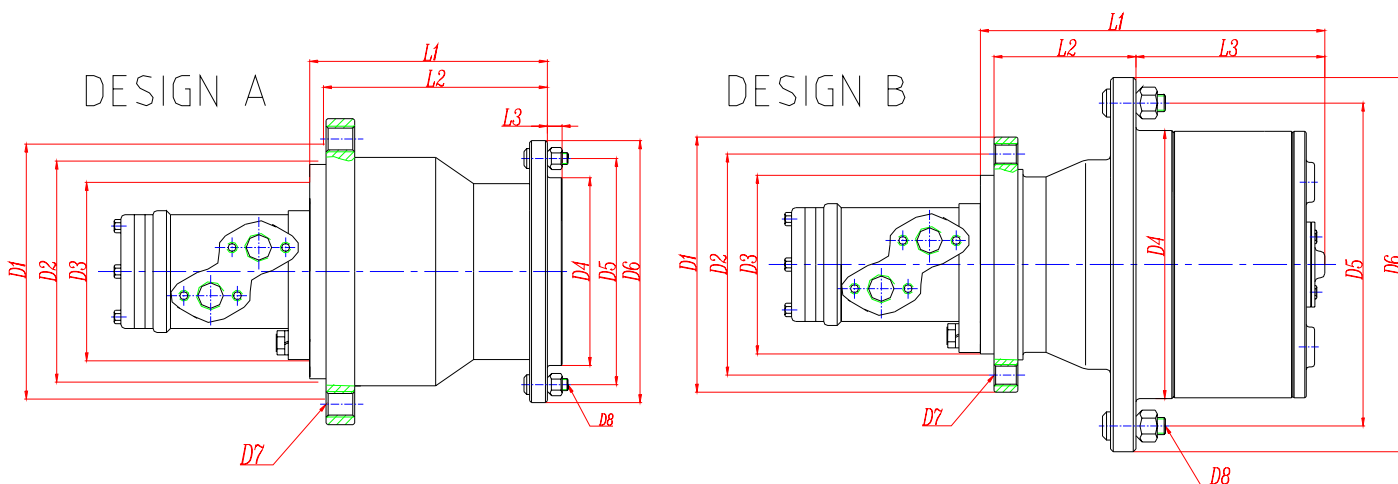
The 600 series wheel drives by **ZheJiang Ever-Power Transmission Co.,Ltd.** enjoy following features:

1. **Output torque Range:** 1750 ... 60000 N.m
2. **Gear Ratios:**  $i=5.8 \dots 160$
3. **Support:** rotating housing flange to fit wheels and drums
4. **Applicable motors:** axial piston hydraulic motors, Hydraulic orbit motors
5. **Hydraulic motor options:** Pressure relief valve, Overcenter valve on request
5. **Brake:** hydraulic released parking brake on request

Track drives Type	Max. torque N.m	Range of ratios ( i )	Max. Input speed (rpm)	Braking torque (N.m)	Design
EP601 L1A	1750	5.77	1000	450-600	A
EP603 L2A	4000	19-23-32-40	3000	210	A
EP603 L2B	4000	19-23-32-40	3000	210	B
EP602 L2	5000	12.4-25.8	3000	-----	B
EP605 L2	7000	22-27-30-42-53	3000	220-310	B
EP606 L2, L3	12000	30-35-43-68-79	3000	300-800	B
EP607 L2, L3	17000	33-75-108	3000	300-600	B
EP609 L2, L3	23000	33-142	3000	300-600	B
EP610 L2, L3	30000	20-111	3000	300-800	B
EP611 L2, L3	36000	41-47	3000	300-800	B
EP613 L3	45000	108	3000	300-800	B
EP615 L3	60000	108	3000	300-1000	B



## WHEEL DRIVES



Wheel drives	Dimensions											
	D1	D2	D3	D4	D5	D6	D7	D8	L1	L2	L3	Design
EP601 L1A	260	230	200	152.4	203.2	230	15 n=8	M14×1.5 n=8	245	195	10	A
EP603 L2A	270	230	190	160	205	280	M6×2 n=8	M18×1.5 n=6	230	175	25	A
EP603 L2B	270	230	190	200	245	280	M6×2 n=8	M18×1.5 n=6	230	72	128	B
EP602 L2	190.5	165.1	133.3 5	200	241.3	279.4	5/8"-11 UNC n=8	1/2"-13 UNC n=9	261	105.9	145	B
EP605 L2	270	230	190	220	275	310	M16×2 n=8	M20×1.5 n=6	285	72	176	B
EP606 L2, L3	330	300	270	280	335	370	M16×2 n=18	M22×1.5 n=10	320	115	190	B
EP607 L2, L3	380	285	240	320	380	410	M20×2.5 n=20	M18×1.5 n=20	408	82	298	B
EP609 L2, L3	380	285	240	350	400	435	M20×2.5 n=20	M20×1.5 n=16	413	91	303	B
EP610 L2, L3	375	340	300	350	400	435	M20×2.5 n=16	M22×1.5 n=16	425	91	303	B
EP611 L2, L3	425	325	290	410	455	490	M20×2.5 n=24	M20×1.5 n=24	498	110	365	B
EP613 L3	425	325	280	410	455	490	M20×2.5 n=24	M20×1.5 n=24	510	110	380	B



---

EP615 L3	500	460	420	460	510	550	M20×2.5 n=24	M20×1.5 n=24	565	130	415	B
----------	-----	-----	-----	-----	-----	-----	--------------	--------------	-----	-----	-----	---