



EVER-POWER

Ever-power Group Co., Ltd.

FACING THE
VAST NUMBER OF USERS

Historical Professional Factory

User Preference





COMPANY PROFILE

Ever-Power Group are dedicated to supplying high quality agricultural implements, such as PTO shafts, gearboxes and all related spare parts. With extraordinary customer services and stable quality, we have successfully open the market over the world.

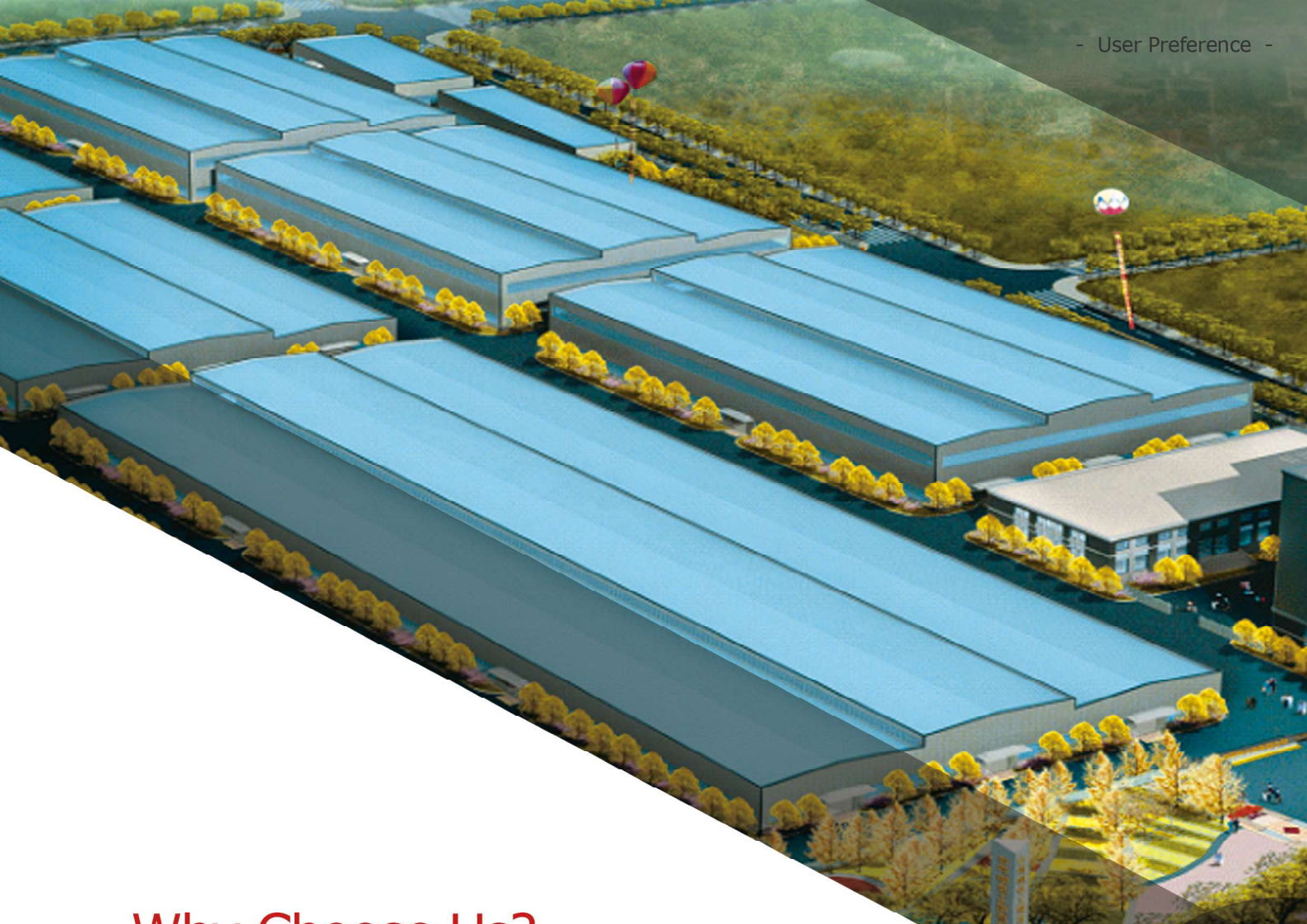
Our product: PTO shaft, Agricultural Gearbox, Motor, Chain, Sprocket, Gear, Slew Ring, Pulley, Taper Bush, Non-standard items according to customer's requirement.

Our goal: To supply products and services that meet customer's requirements , getting their trust and also support.

Ever-Power Group is growing fast during the past years, and we believes that with competitive price, technology innovation and efficient service communication, we will help our customer maintain the leadership and also reputation.

CERTIFICATIONS





Why Choose Us?

- We are professional supplier
- Our mechanical engineer have Abundant experience
- We pay more attention on quality



WORKING AREA



CNC Workshop



Machine Center

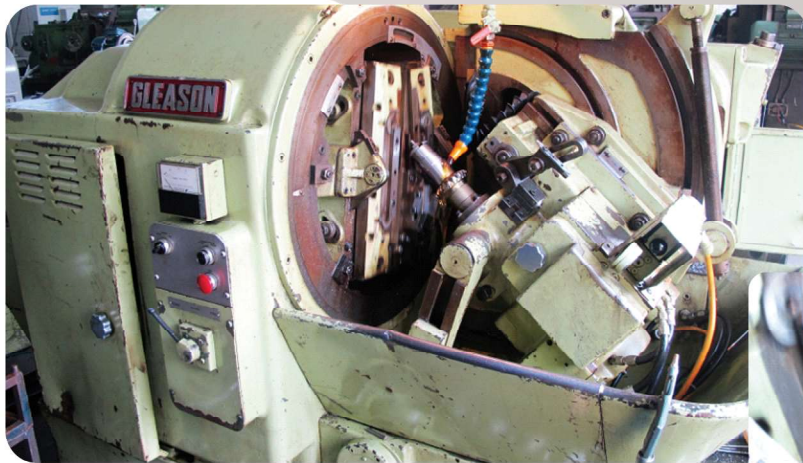


Gear Producing Workshop



CNC Hobbing Machine





Gear-shaping machine



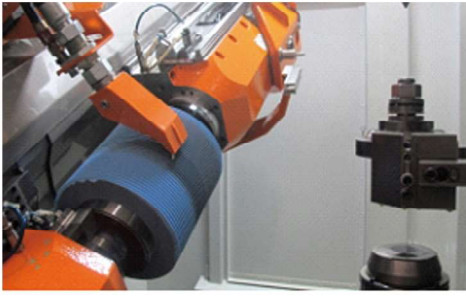
Heat treatment



Heat treatment



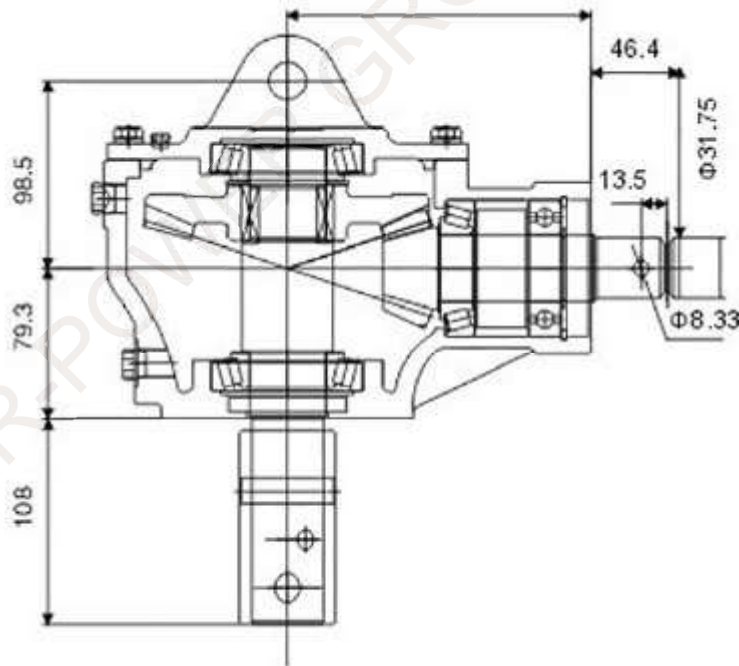
Heat treatment



WORKING AREA

GEARBOX for Agricultural Machine

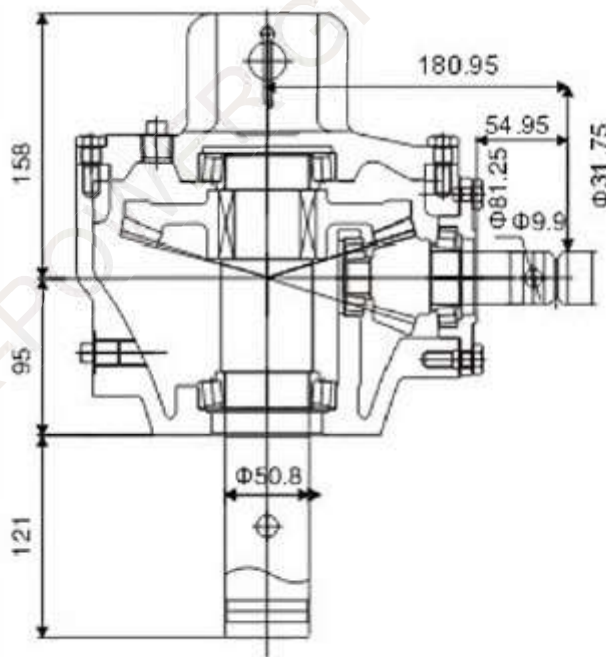
EP-7241



ITEM	Ratio	Teeth	Module	Power (HP)	Rated Input	Input/output description	Weight (N.W)
EP-7241	3:1	10/30	5.0	30	540 rpm	31.75 Optic axis 50.8 Optic axis	18.5Kg

GEARBOX for Agricultural Machine

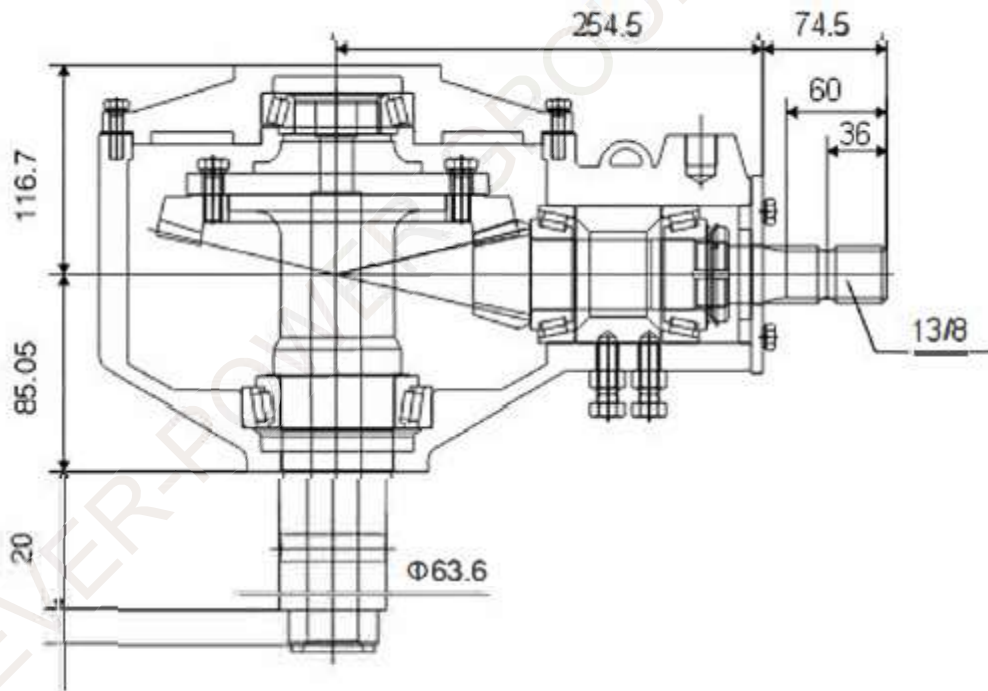
EP-01-725



ITEM	Ratio	Teeth	Module	Power (HP)	Rated Input	Input/output description	Weight (N.W)
01-725	3:18:1	11/35	5.08	40	540 rpm	31.75 Optic axis 50.8 Optic axis	27.5Kg

GEARBOX for Agricultural Machine

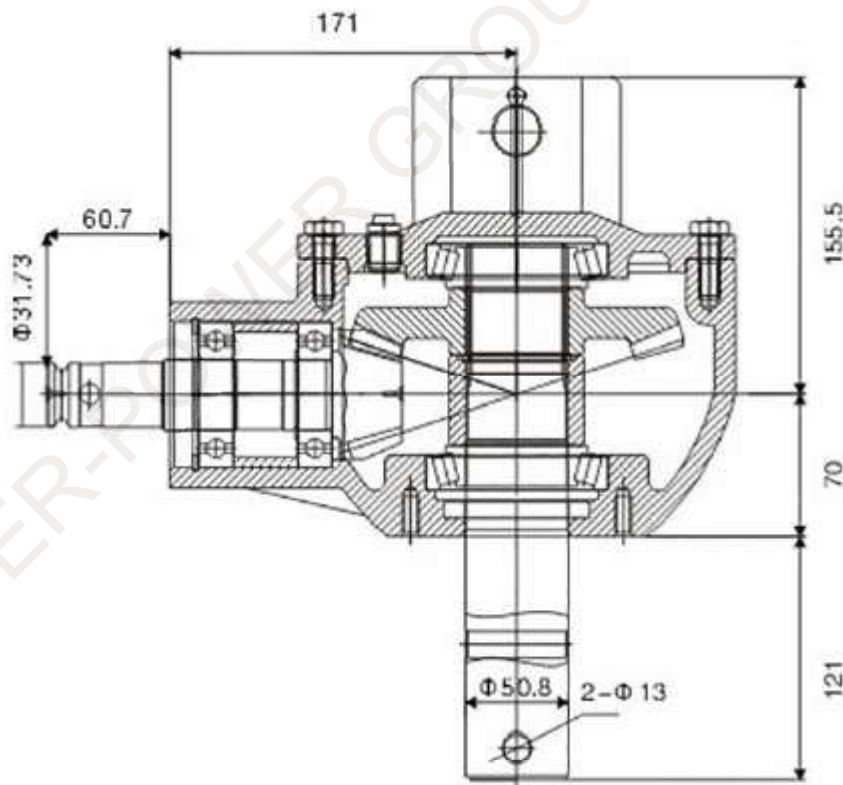
EP-2300058



ITEM	Ratio	Teeth	Module	Power (HP)	Rated Input	Input/output description	Weight (N.W)
2300058	4.08:1	12/49	4.5	40	540 rpm	1 3/8 Z6 Optic axis	58.5Kg

GEARBOX for Agricultural Machine

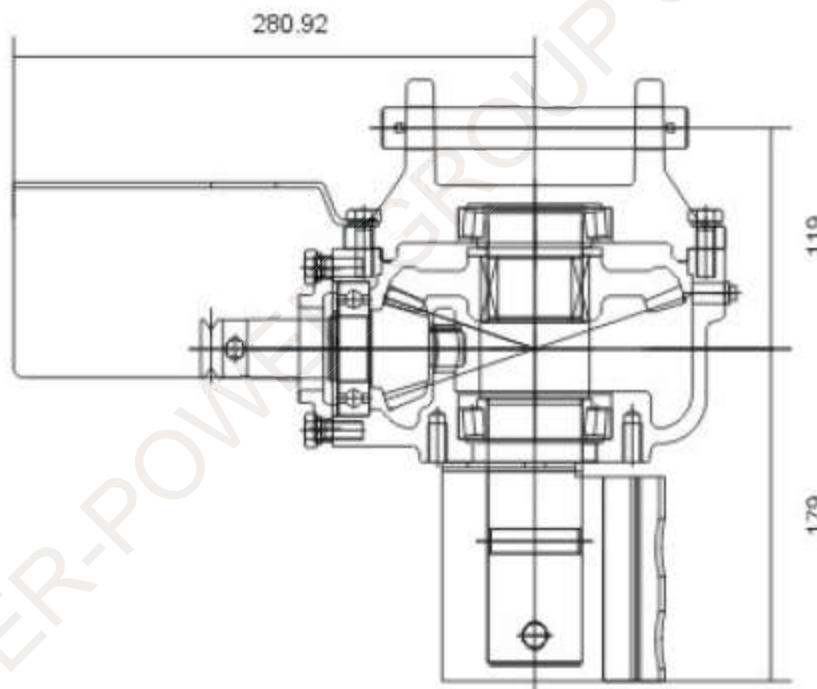
EP-GT40U



ITEM	Ratio	Teeth	Module	Power (HP)	Rated Input	Input/output description	Weight (N.W)
GT40U	3:1	11/33	5.0	30	540 rpm	13/8 Z6 Optic axis	27.2Kg

GEARBOX for Agricultural Machine

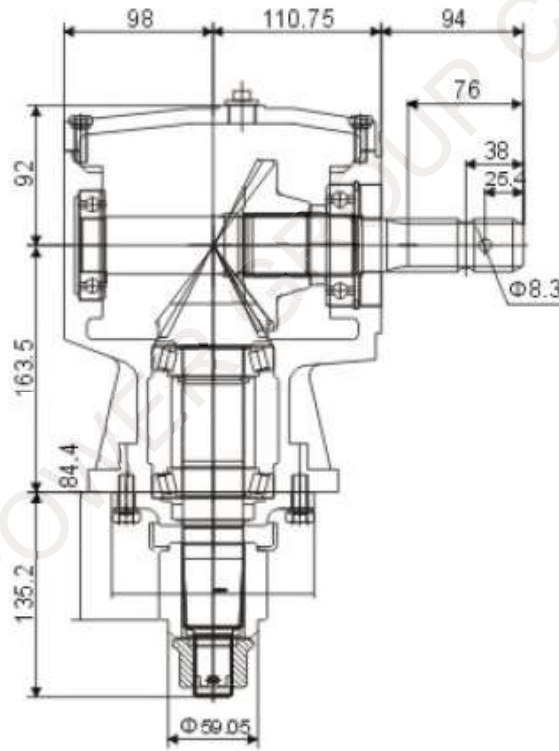
EP-650PHD



ITEM	Ratio	Teeth	Module	Power (HP)	Rated Input	Input/output description	Weight (N.W)
650PHD	2.92:1	13/38	4.25	30	540 rpm	Optic axis Optic axis	24.1Kg

GEARBOX for Agricultural Machine

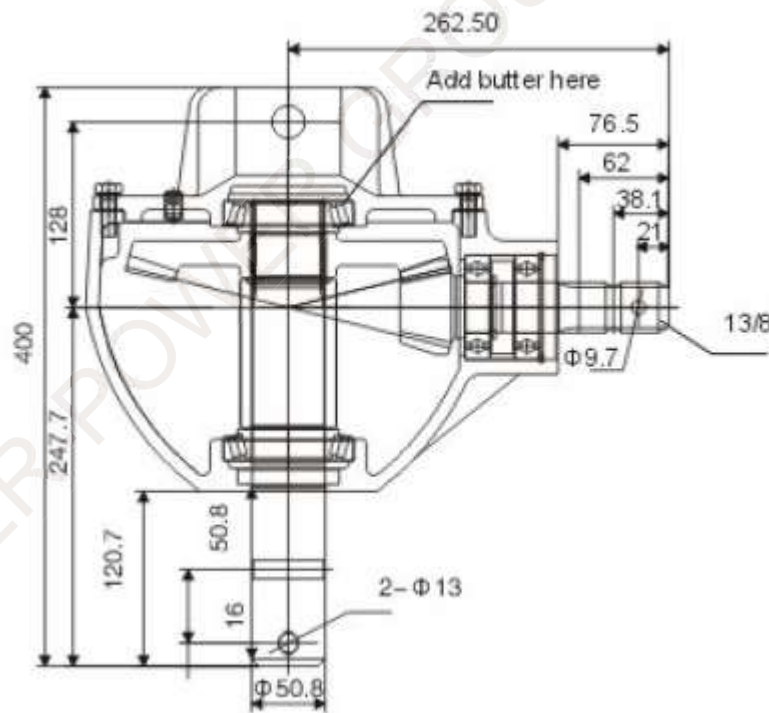
EP-01-609/723/611



ITEM	Ratio	Teeth	Module	Power (HP)	Rated Input	Input/output description	Weight (N.W)
01-609	1:1.47	15/22	5.08	35	540 rpm	1 3/8 Z6 Optic axis Cone base aequilate spline shaft	26.5Kg
01-723	1:1.69	13/22	5.0	35			
01-611	1:1.93	15/29	4.0	30			

GEARBOX for Agricultural Machine

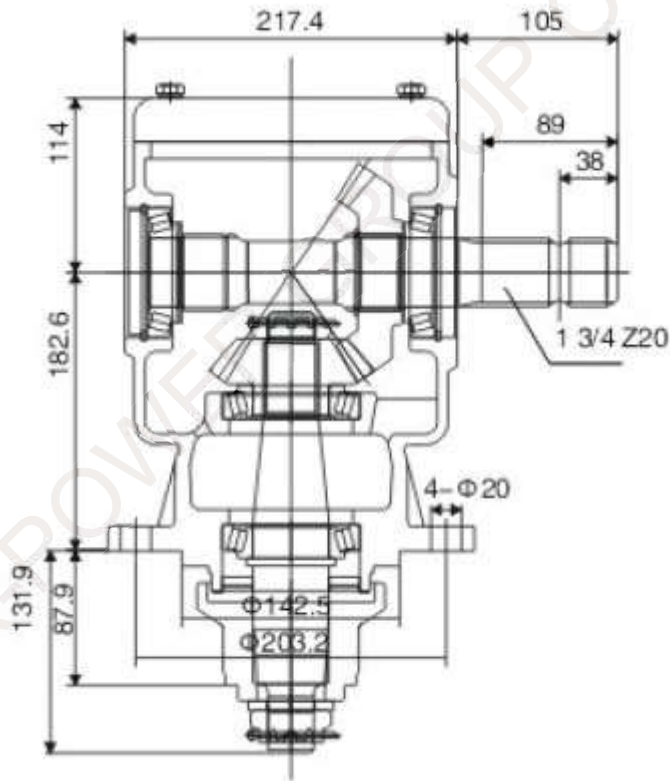
EP-4DH-01-084



ITEM	Ratio	Teeth	Module	Power (HP)	Rated Input	Input/output description	Weight (N.W)
4DH-01-084	4:1	44/11	5.0	45	540 rpm	1 3/8 Z6 Φ 50.8 Optic axis	24.1Kg

GEARBOX for Agricultural Machine

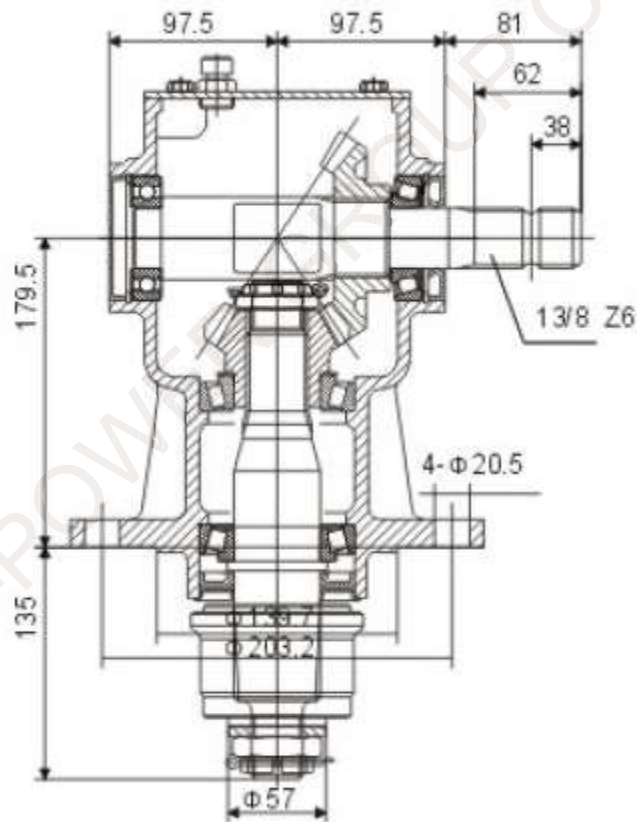
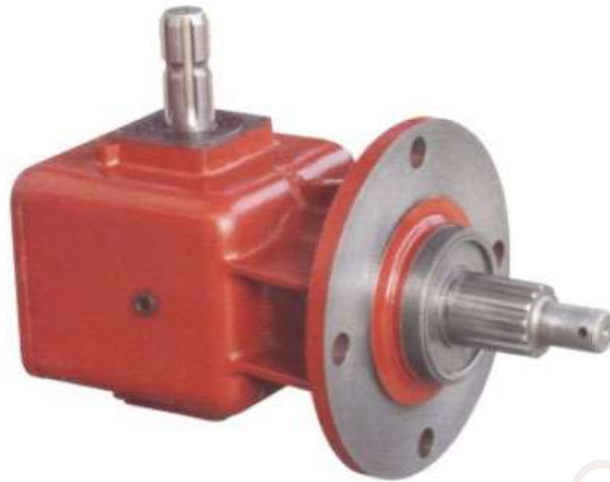
EP-01-707B



ITEM	Ratio	Teeth	Module	Power (HP)	Rated Input	Input/output description	Weight (N.W)
01-707B	1:1.44	23/16	6.0	60	800 rpm	1 3/4 Z20 Cone base aequilate spline	37Kg

GEARBOX for Agricultural Machine

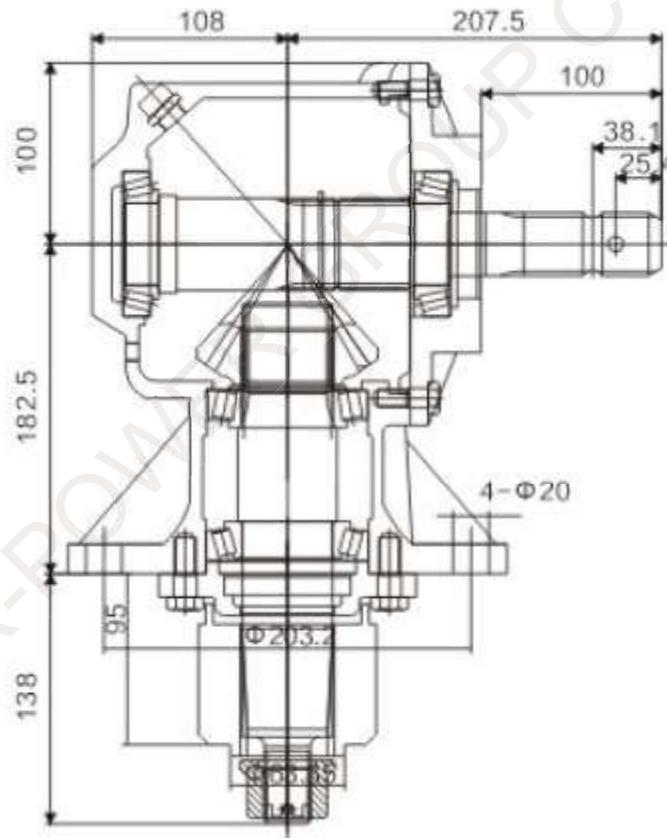
EP-9.140



ITEM	Ratio	Teeth	Module	Power (HP)	Rated Input	Input/output description	Weight (N.W)
9.140.804.20	1:1.93	14/27	5.64	60	800 rpm	1 3/8 Z6 Cone base aequilate spline	28.5Kg
9.140.870.10	1:1.5	14/21	5.7				

GEARBOX for Agricultural Machine

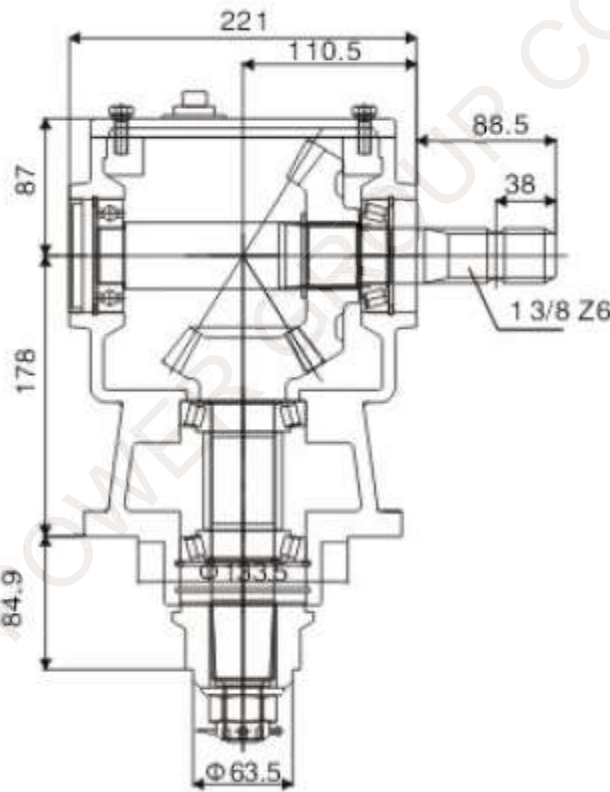
EP-966109



ITEM	Ratio	Teeth	Module	Power (HP)	Rated Input	Input/output description	Weight (N.W)
966109	1:1.92	14/27	5.5	60	540 rpm	1 3/8 Z6 Cone base aequilate spline	37Kg

GEARBOX for Agricultural Machine

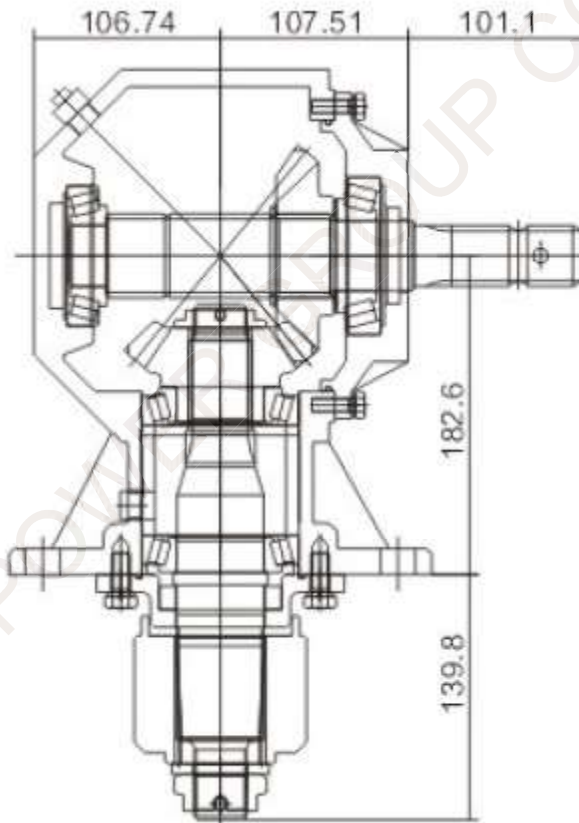
EP-55



ITEM	Ratio	Teeth	Module	Power (HP)	Rated Input	Input/output description	Weight (N.W)
EP-55	1:1.6	15/24	6.0	50	540 rpm	1 3/8 Z6 Cone base aequilate spline	28.7Kg

GEARBOX for Agricultural Machine

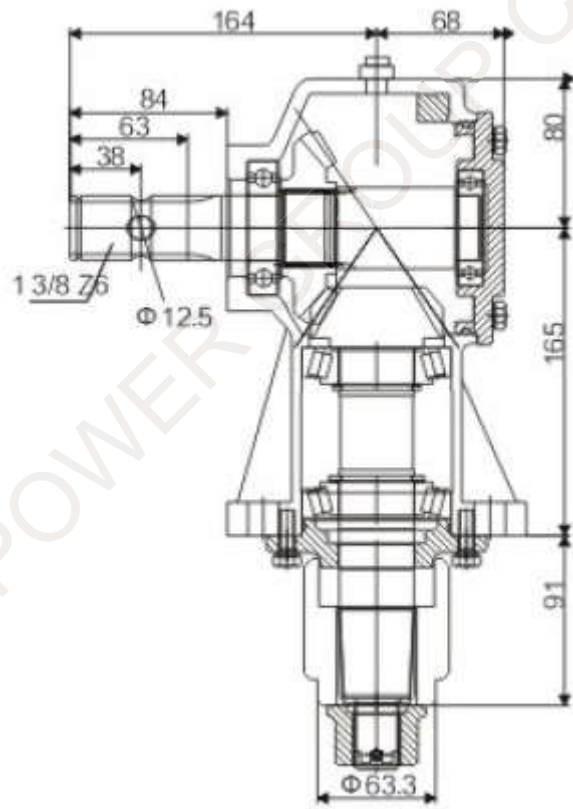
EP-966194



ITEM	Ratio	Teeth	Module	Power (HP)	Rated Input	Input/output description	Weight (N.W)
966194	1:1.21	14/17	7.0	70	540 rpm	1 3/8 Z6 Cone base aequilate spline	37.5Kg

GEARBOX for Agricultural Machine

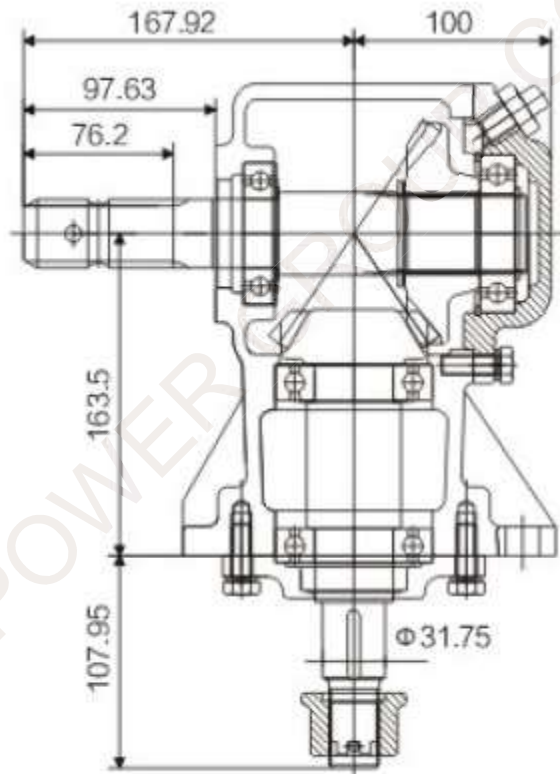
EP-GS4RC



ITEM	Ratio	Teeth	Module	Power (HP)	Rated Input	Input/output description	Weight (N.W)
GS4RC-193	1:1.93	23/12	5.0	30	540 rpm	1 3/8 Z6 Cone base aequilate spline	17Kg
GS4RC-146	1:1.47	22/15	5.08				

GEARBOX for Agricultural Machine

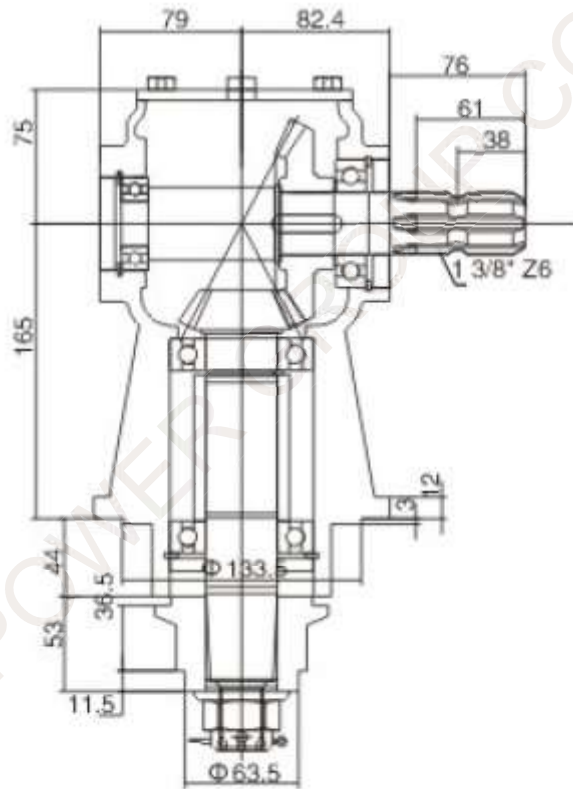
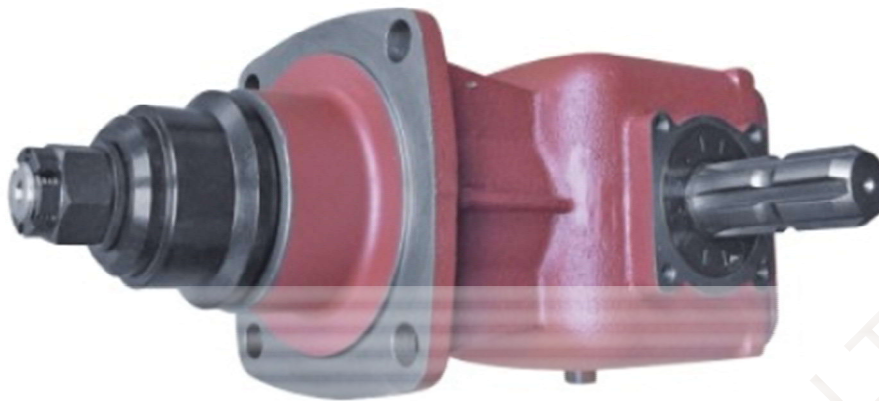
EP-GS6RC-H



ITEM	Ratio	Teeth	Module	Power (HP)	Rated Input	Input/output description	Weight (N.W)
GS6RC-H	1:1.46	19/13	7.0	60	540 rpm	1 3/8 Z6 Cone base aequilate spline	17Kg

GEARBOX for Agricultural Machine

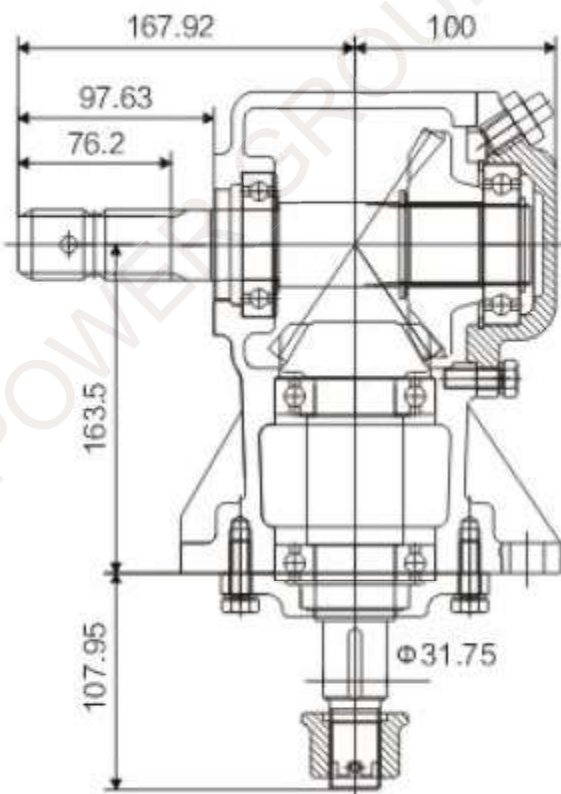
EP-LF205



ITEM	Ratio	Teeth	Module	Power (HP)	Rated Input	Input/output description	Weight (N.W)
LF205	1:1.92	23/12	5.0	30	540 rpm	1 3/8 Z6 Cone base aequilate spline	17Kg

GEARBOX for Agricultural Machine

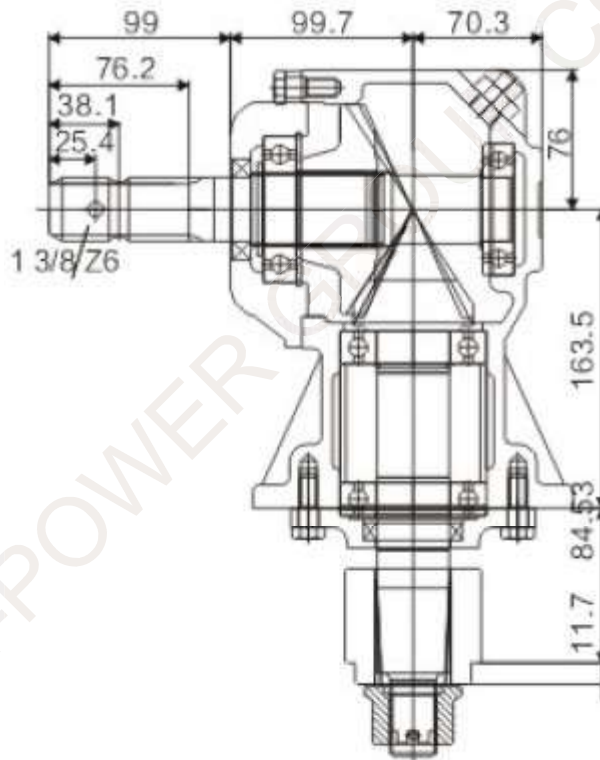
EP-RC30-193



ITEM	Ratio	Teeth	Module	Power (HP)	Rated Input	Input/output description	Weight (N.W)
RC30-193	1:1.93	15/29	4.0	30	540 rpm		24.5Kg

GEARBOX for Agricultural Machine

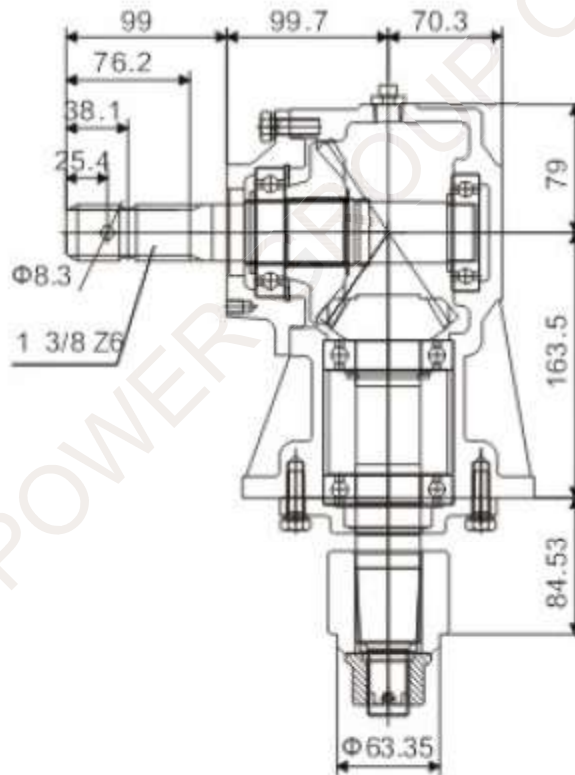
EP-RC31



ITEM	Ratio	Teeth	Module	Power (HP)	Rated Input	Input/output description	Weight (N.W)
RC31-193	1:1.93	15/29	4.0	30	540 rpm	1 3/8 Z6 Cone base aequilate spline	24.5Kg
RC31-147	1:1.47	15/22	5.08	40			

GEARBOX for Agricultural Machine

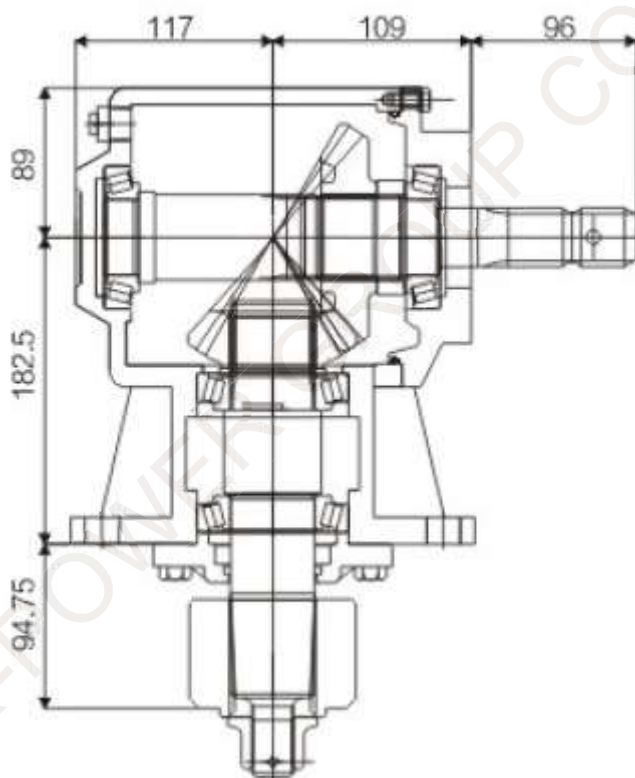
EP-RC33



ITEM	Ratio	Teeth	Module	Power (HP)	Rated Input	Input/output description	Weight (N.W)
RC33-193	1:1.93	15/29	4.0	30	540 rpm	1 3/8 Z6 Cone base aequilate spline	25.5Kg
RC33-147	1:1.47	15/22	5.08	40			

GEARBOX for Agricultural Machine

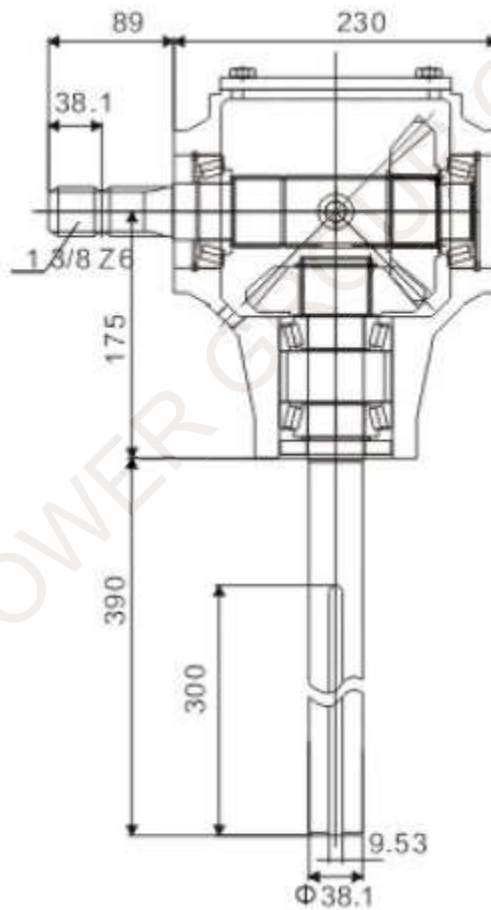
EP-RC61



ITEM	Ratio	Teeth	Module	Power (HP)	Rated Input	Input/output description	Weight (N.W)
RC61-192	1:1.92	14/27	5.5	60	540 rpm	1 3/8 Z6 Cone base aequilate spline	37Kg
RC61-147	1:1.47	13/19	7.0				

GEARBOX for Agricultural Machine

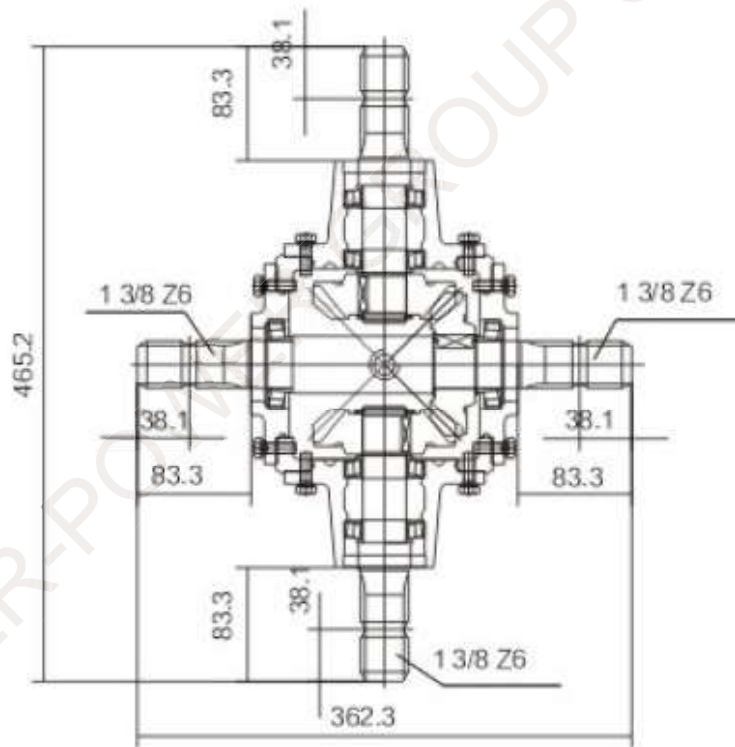
EP-2070



ITEM	Ratio	Teeth	Module	Power (HP)	Rated Input	Input/output description	Weight (N.W)
2070	1:1	20/20	6.35	45	540 rpm	1 3/8 Z6 Optic axis	

GEARBOX for Agricultural Machine

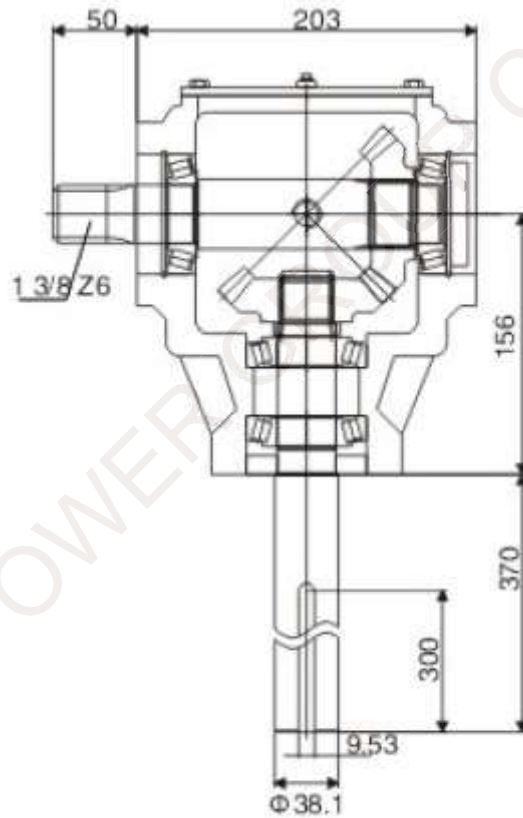
EP-756



ITEM	Ratio	Teeth	Module	Power (HP)	Rated Input	Input/output description	Weight (N.W)
EP-756	1:1	17/17	6.35		540 rpm	1 3/8 Z6 1 3/8 Z6	

GEARBOX for Agricultural Machine

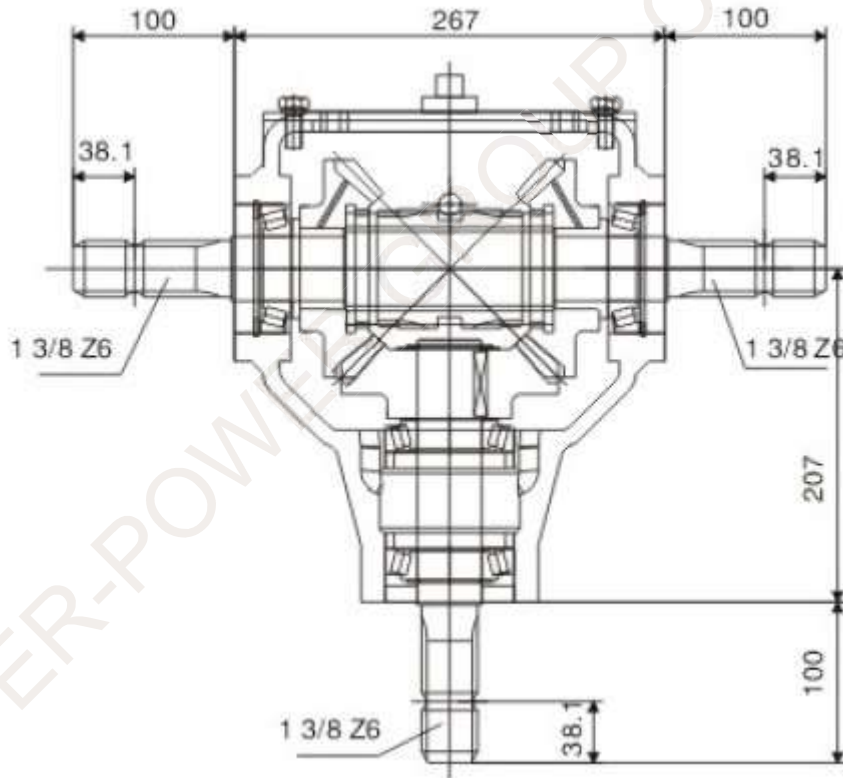
EP-BD9SP-V



ITEM	Ratio	Teeth	Module	Power (HP)	Rated Input	Input/output description	Weight (N.W)
BD9SP-V	1:1	18/18	5.5	30	540 rpm	1 3/8 Z6 Optic axis	

GEARBOX for Agricultural Machine

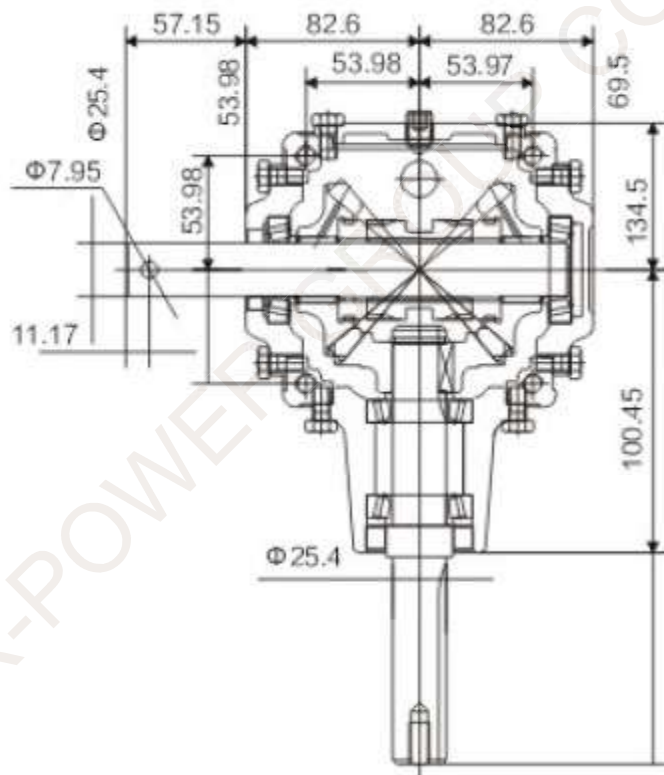
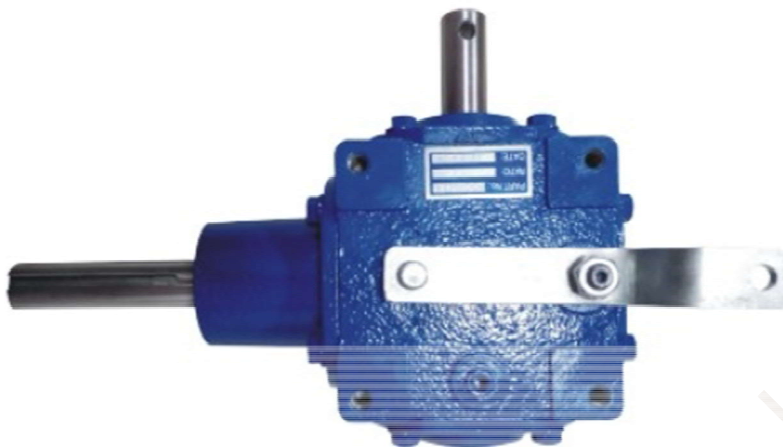
EP-3980



ITEM	Ratio	Teeth	Module	Power (HP)	Rated Input	Input/output description	Weight (N.W)
EP-3980	1:1	22/22	6.0	80	540 rpm	1 3/8 Z6 Optic axis	18Kg

GEARBOX for Agricultural Machine

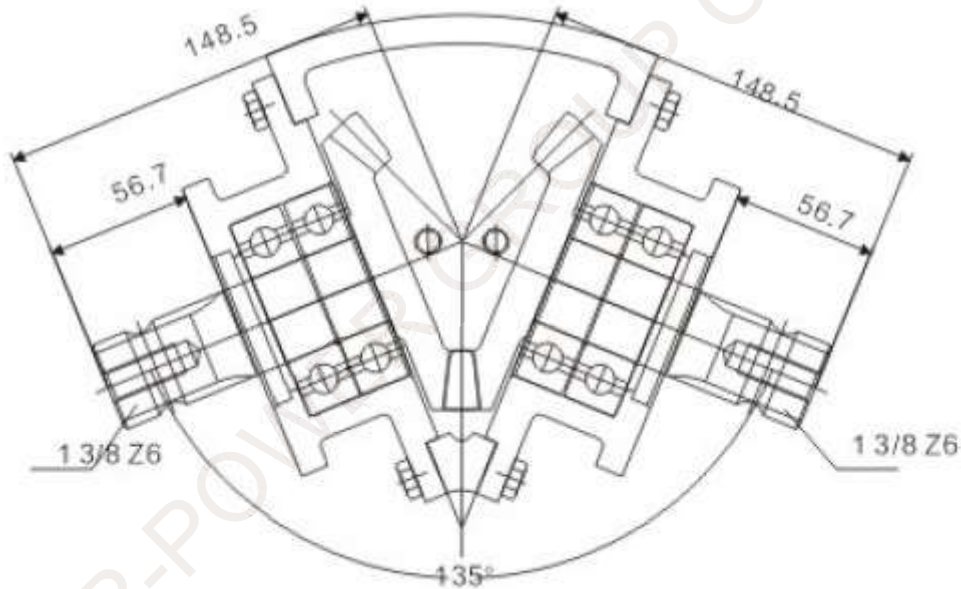
EP-B003005R



ITEM	Ratio	Teeth	Module	Power (HP)	Rated Input	Input/output description	Weight (N.W)
B003005R	1:1	19/19	4.23	25	540 rpm	Optic axis Optic axis	

GEARBOX for Agricultural Machine

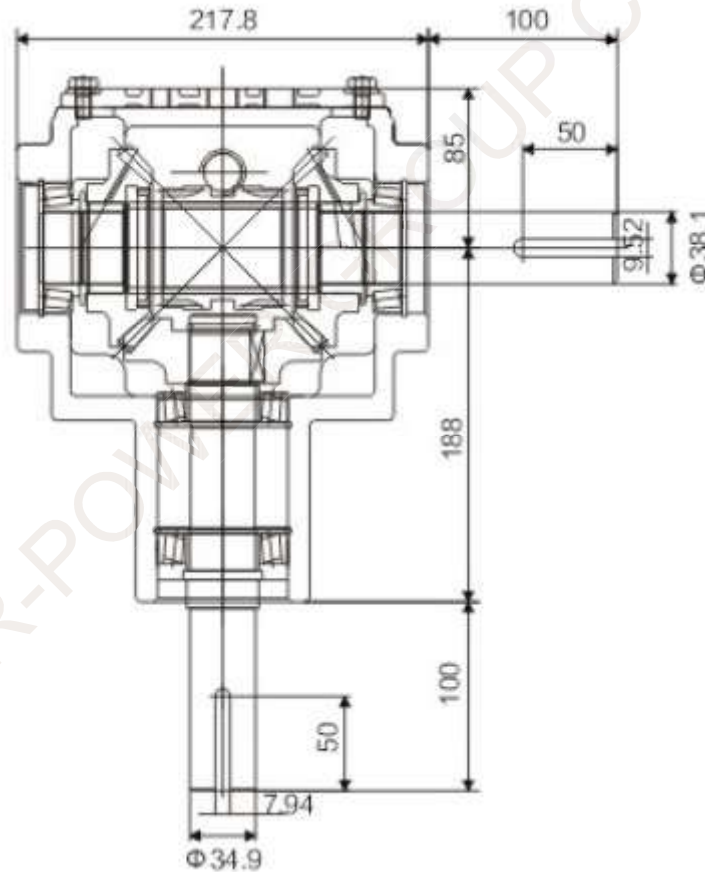
EP-AG135



ITEM	Ratio	Teeth	Module	Power (HP)	Rated Input	Input/output description	Weight (N.W)
AG135	1:1	20/20	6.0		540 rpm	1 3/8 Z6 1 3/8 Z6	

GEARBOX for Agricultural Machine

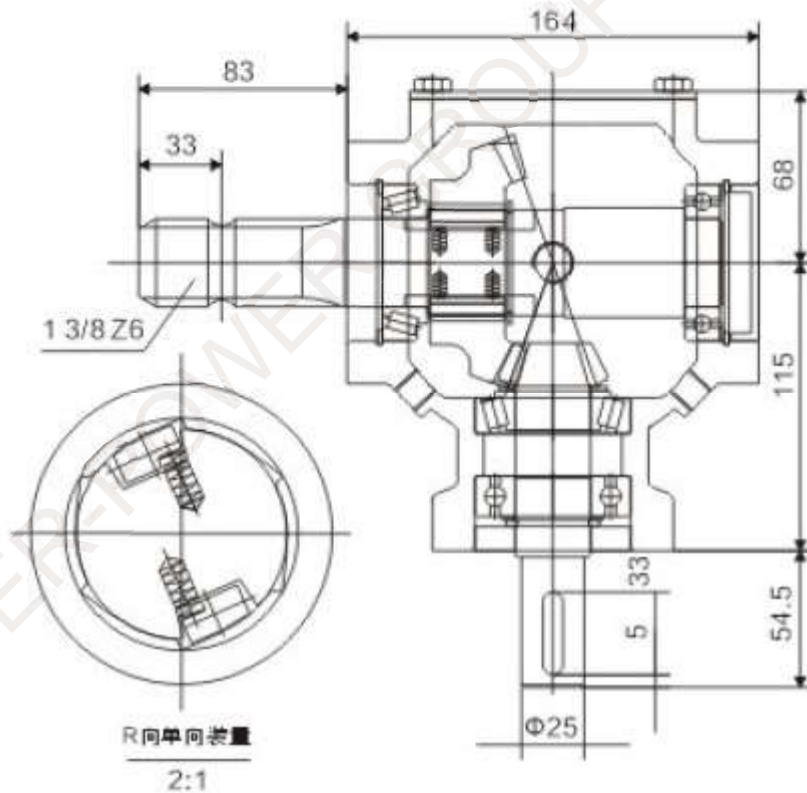
EP-3941



ITEM	Ratio	Teeth	Module	Power (HP)	Rated Input	Input/output description	Weight (N.W)
EP-3941	1:1	26/26	4.0	30	540 rpm	Optic axis Optic axis	26Kg

GEARBOX for Agricultural Machine

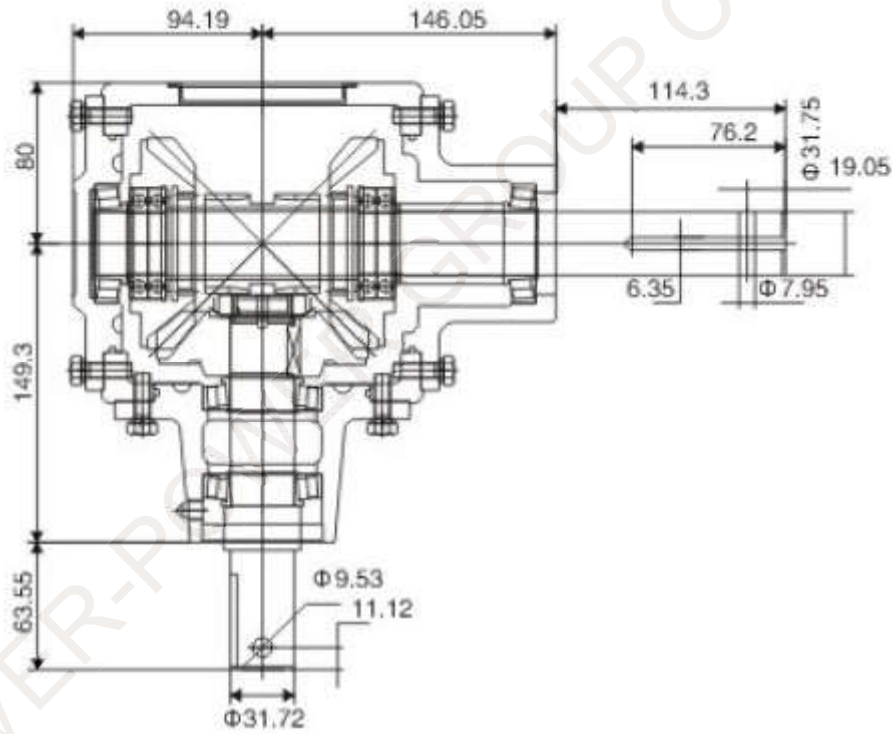
EP-L15



ITEM	Ratio	Teeth	Module	Power (HP)	Rated Input	Input/output description	Weight (N.W)
EP-L15	1:2.78	25/9	4.0	30	540 rpm	1 3/8 Z6 Optic axis	

GEARBOX for Agricultural Machine

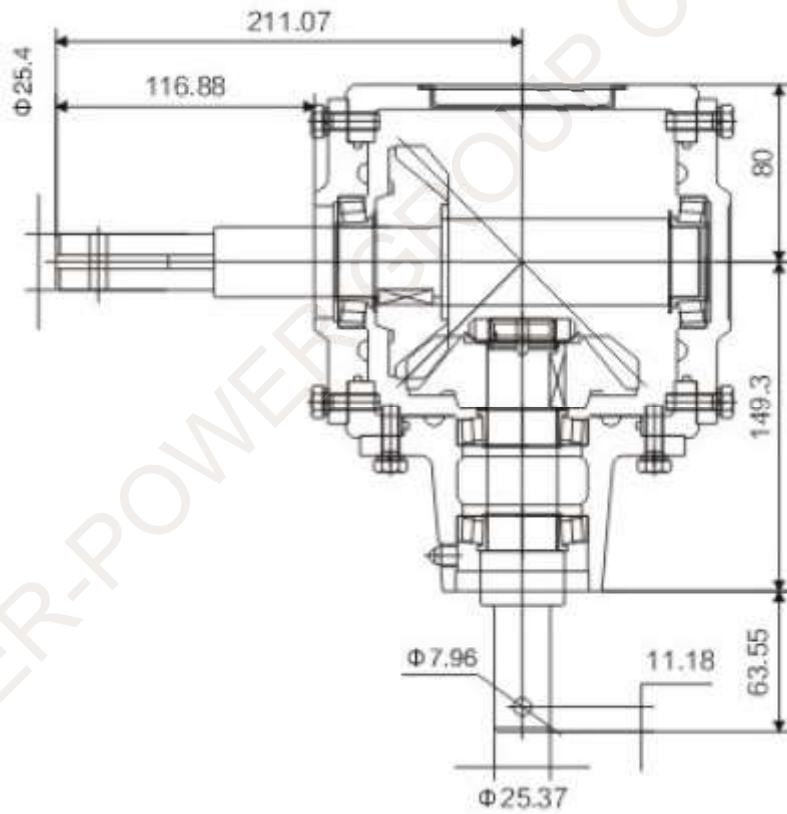
EP-B003012R



ITEM	Ratio	Teeth	Module	Power (HP)	Rated Input	Input/output description	Weight (N.W)
B003012R	1:1	17/17	6.35	35	540 rpm	Optic axis Optic axis	

GEARBOX for Agricultural Machine

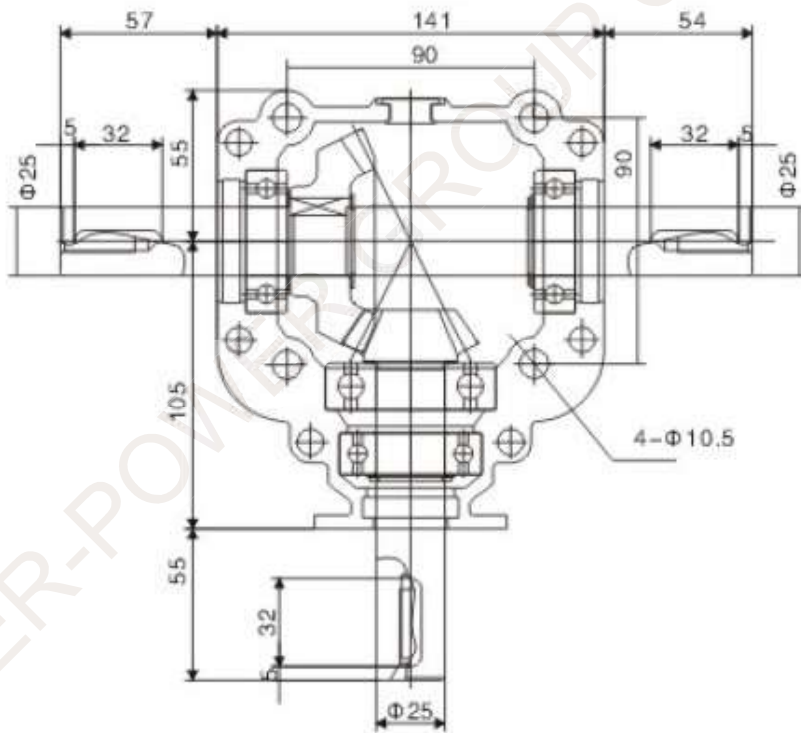
EP-B003010



ITEM	Ratio	Teeth	Module	Power (HP)	Rated Input	Input/output description	Weight (N.W)
B003010	1:1	17/17	6.35	35	540 rpm	Optic axis Optic axis	

GEARBOX for Agricultural Machine

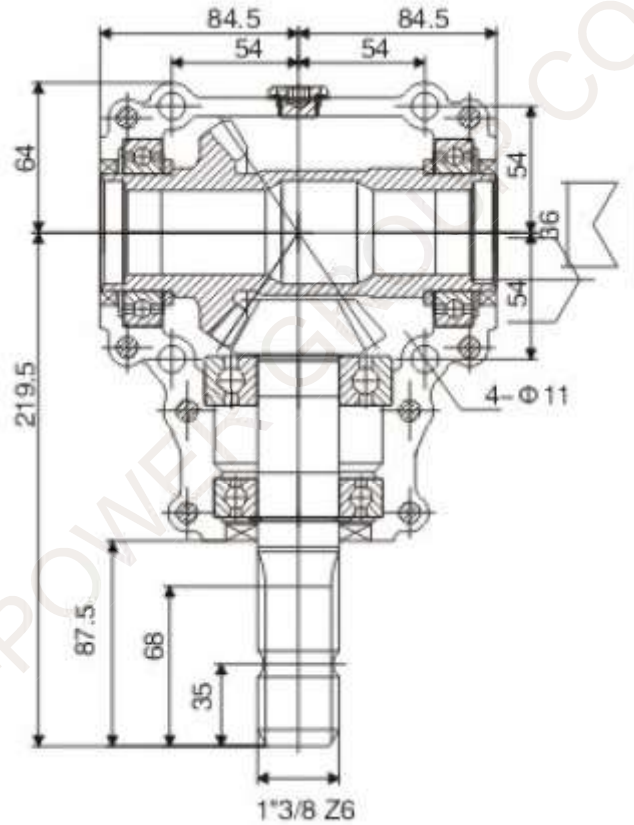
EP-1018



ITEM	Ratio	Teeth	Module	Power (HP)	Rated Input	Input/output description	Weight (N.W)
101821	2:1	20/10	4.0	10	540 rpm	Φ 25 Optic axis Φ 25 Optic axis	4.0Kg

GEARBOX for Agricultural Machine

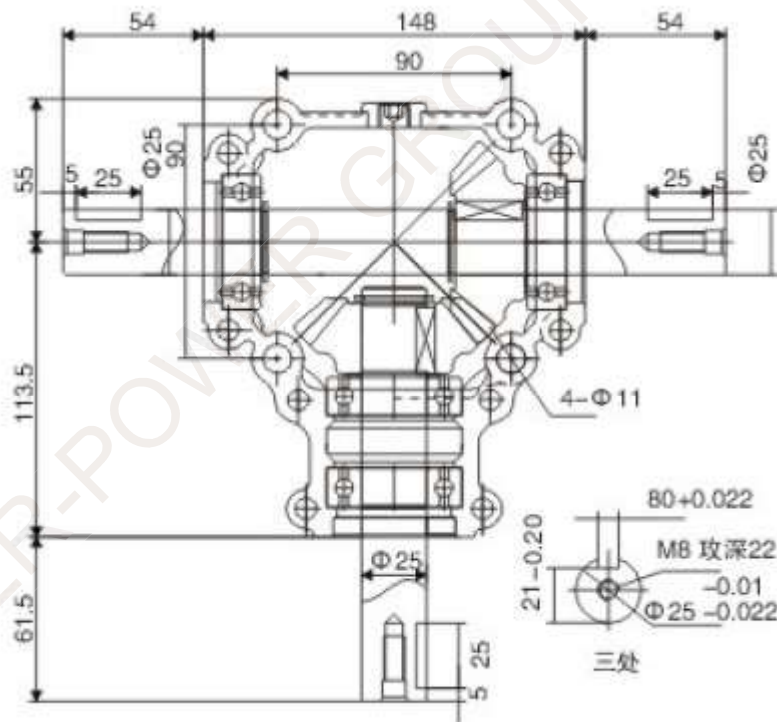
EP-01-675



ITEM	Ratio	Teeth	Module	Power (HP)	Rated Input	Input/output description	Weight (N.W)
01675	1.46:1	19/13	5.0	23	540 rpm	1 3/8 Z6	
01674						S 36	
						1 3/8 Z6	
						S 30	

GEARBOX for Agricultural Machine

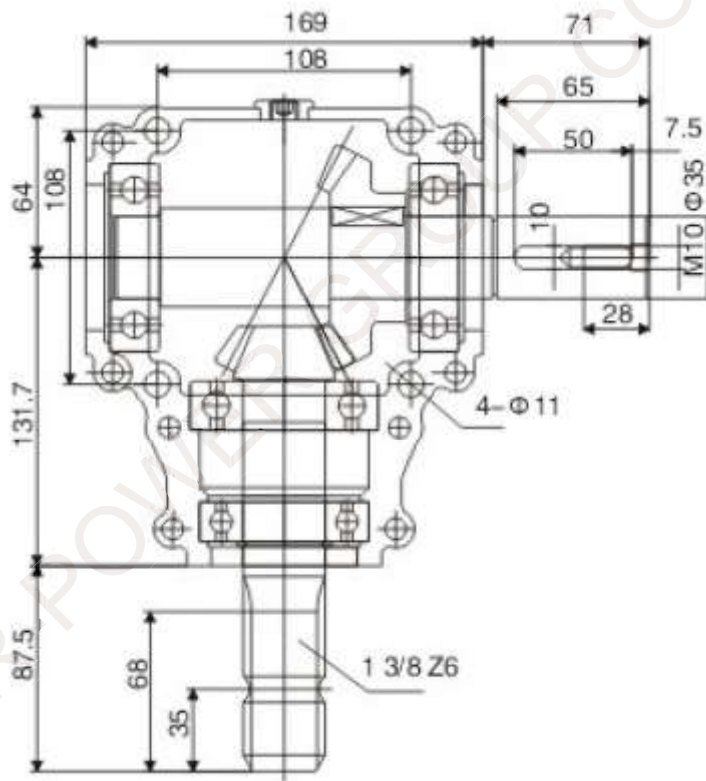
EP-L-25A



ITEM	Ratio	Teeth	Module	Power (HP)	Rated Input	Input/output description	Weight (N.W)
L-25A	1:1	16/16	4.5	15	540 rpm	$\Phi 25$ Optic axis $\Phi 25$ Optic axis	4.5Kg

GEARBOX for Agricultural Machine

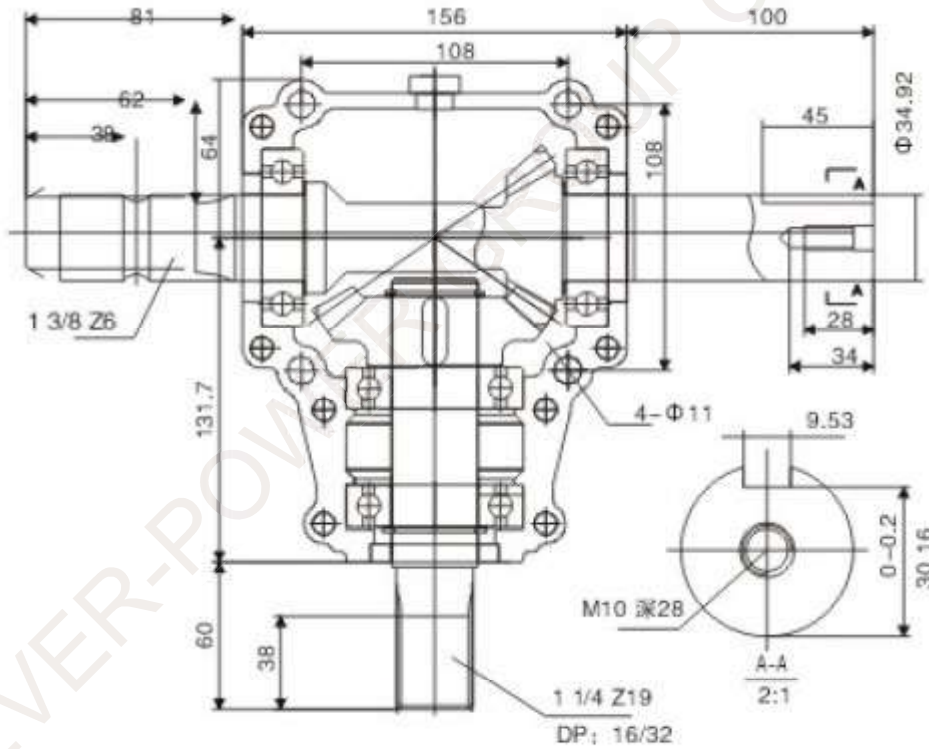
EP-281.11599



ITEM	Ratio	Teeth	Module	Power (HP)	Rated Input	Input/output description	Weight (N.W)
281.11599	1.9:1	21/11	4.5	18	540 rpm	$\Phi 35$ Optic axis	7.6Kg

GEARBOX for Agricultural Machine

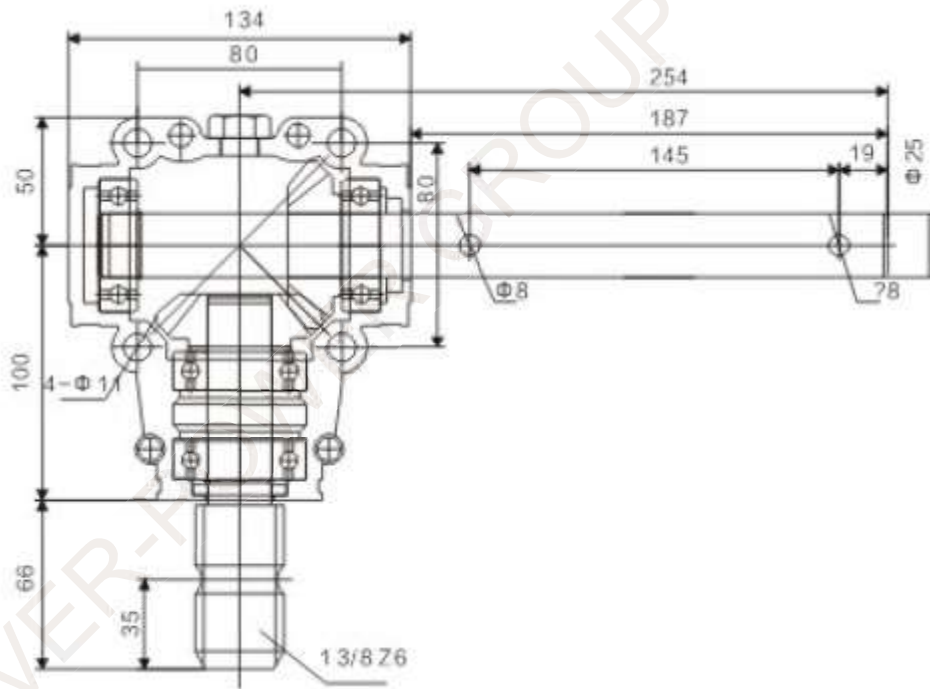
EP-614397209



ITEM	Ratio	Teeth	Module	Power (HP)	Rated Input	Input/output description	Weight (N.W)
614397209	1:1.46	19/13	5.0	18	540 rpm	1 1/4 Z19 1 3/8 Z6	7.6Kg

GEARBOX for Agricultural Machine

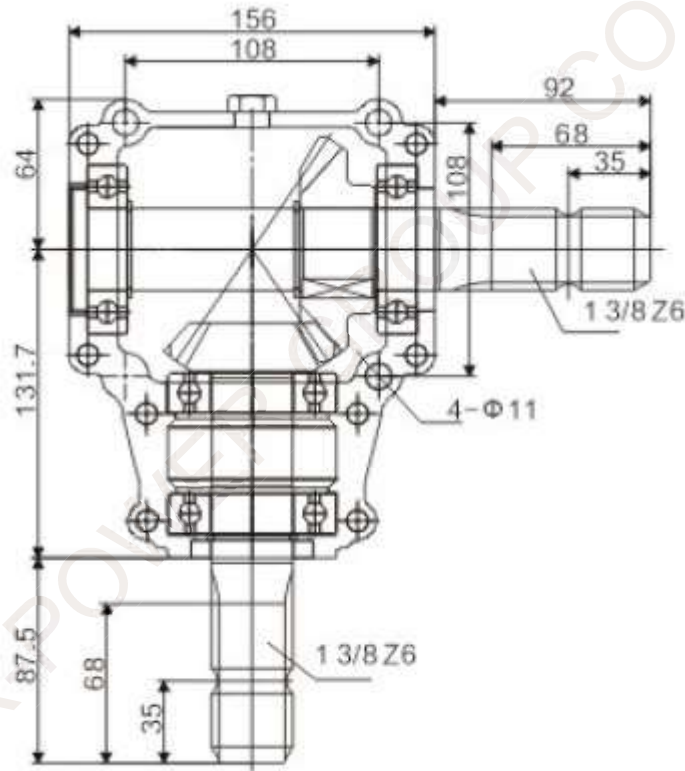
EP-BA802A-JS



ITEM	Ratio	Teeth	Module	Power (HP)	Rated Input	Input/output description	Weight (N.W)
BA802A-JS	1:1	15/15	4.5	18	540 rpm	1 3/8 Z6 φ25 Optic axis	7.6Kg

GEARBOX for Agricultural Machine

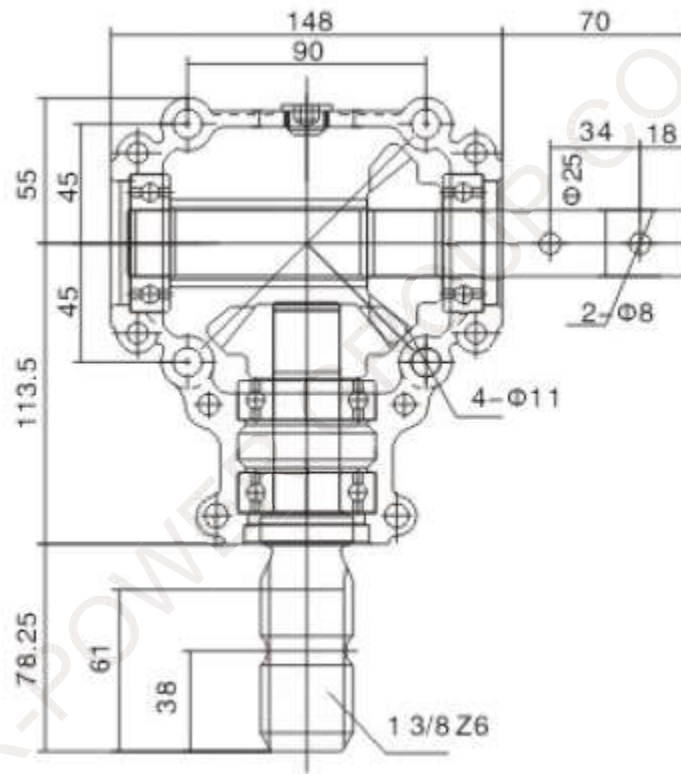
EP-T281-A-L



ITEM	Ratio	Teeth	Module	Power (HP)	Rated Input	Input/output description	Weight (N.W)
T281-A-L	1:1.46	19/13	5.0	18	540 rpm	1 3/8 Z6 1 3/8 Z6	6.5Kg

GEARBOX for Agricultural Machine

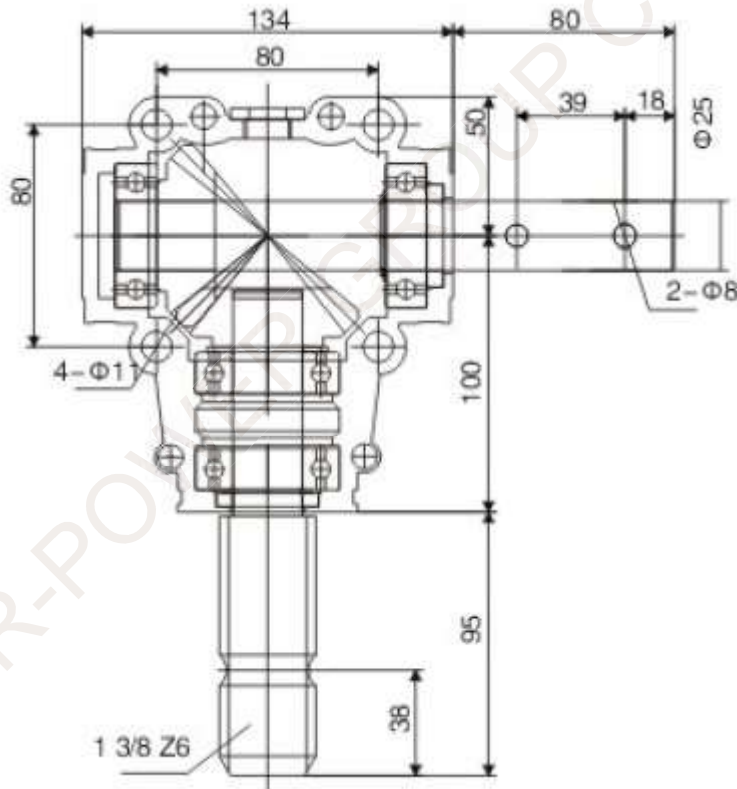
EP-TD106



ITEM	Ratio	Teeth	Module	Power (HP)	Rated Input	Input/output description	Weight (N.W)
TD106	1:1	16/16	4.5	15	540 rpm	1 3/8 Z6 1 3/8 Z6 / Ø25 Optic axis	4.5Kg

GEARBOX for Agricultural Machine

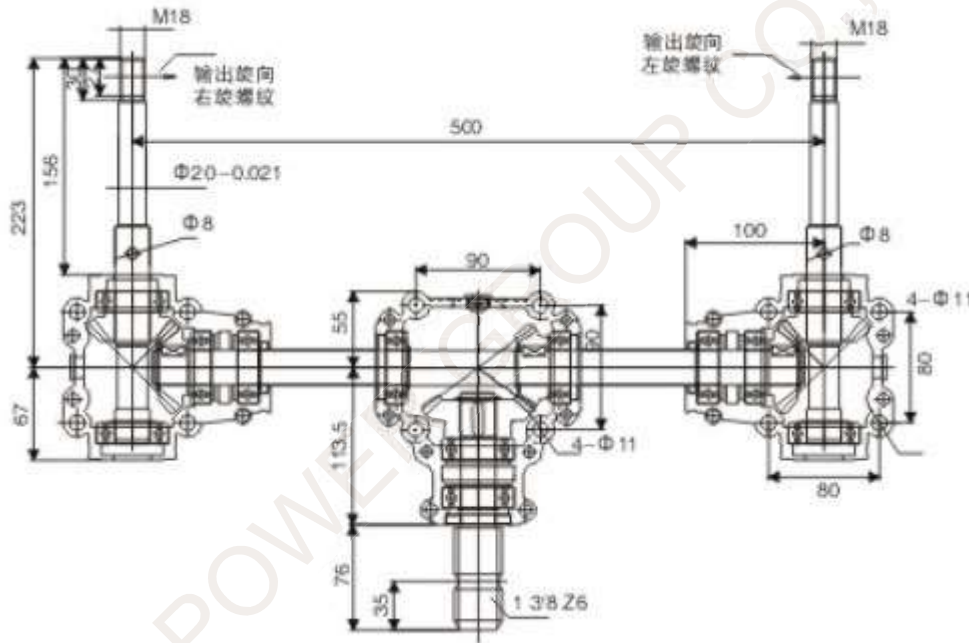
EP-MR012-4XJL



ITEM	Ratio	Teeth	Module	Power (HP)	Rated Input	Input/output description	Weight (N.W)
MR012-4XJL	1:1	15/15	4.5	18	540 rpm	1 3/8 Z6 Ø25 Optic axis	

GEARBOX for Agricultural Machine

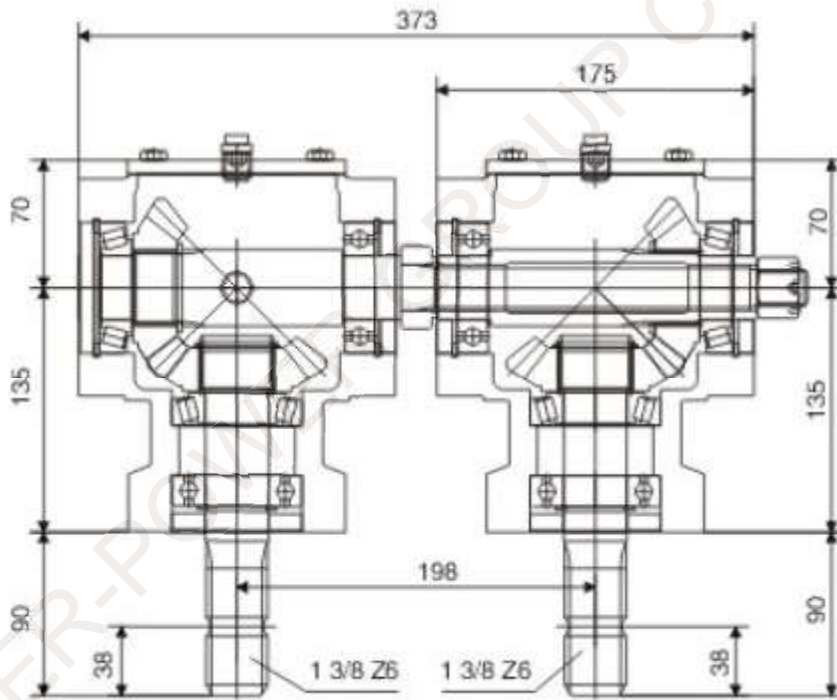
EP-AM135-500LWB



ITEM	Ratio	Teeth	Module	Power (HP)	Rated Input	Input/output description	Weight (N.W)
101821	1:1.35	23/17	3.5	15	540 rpm	1 3/8 Z6 Φ25 Optic axis	13Kg
	1:1	15/15	4.5	18			

GEARBOX for Agricultural Machine

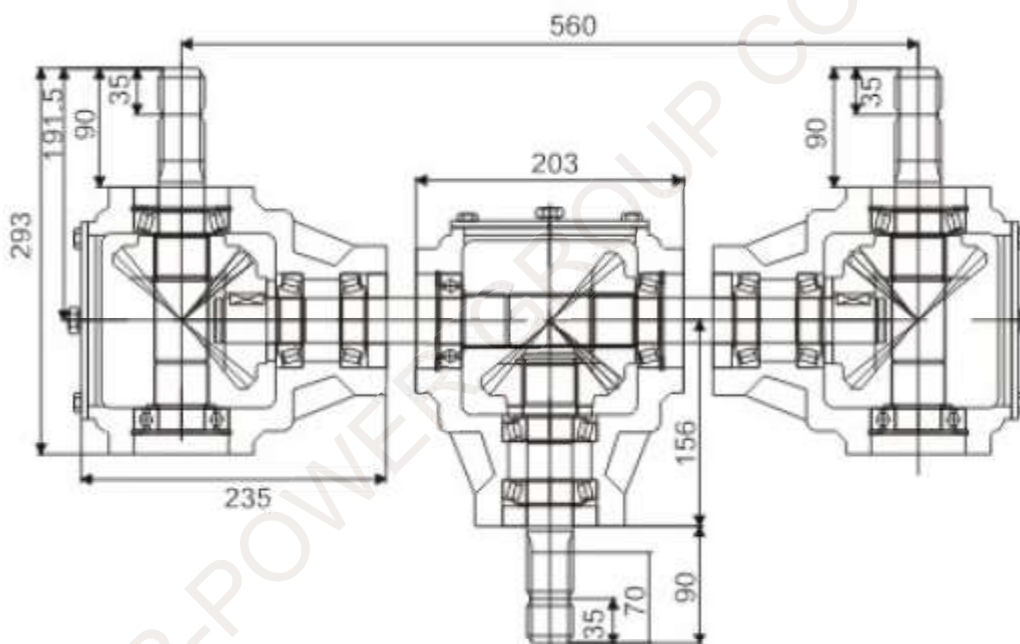
EP-BG8.SP2



ITEM	Ratio	Teeth	Module	Power (HP)	Rated Input	Input/output description	Weight (N.W)
BG8.SP2	1:1	14/14	6.35	45	540 rpm	1 3/8 Z6 1 3/8 Z6	

GEARBOX for Agricultural Machine

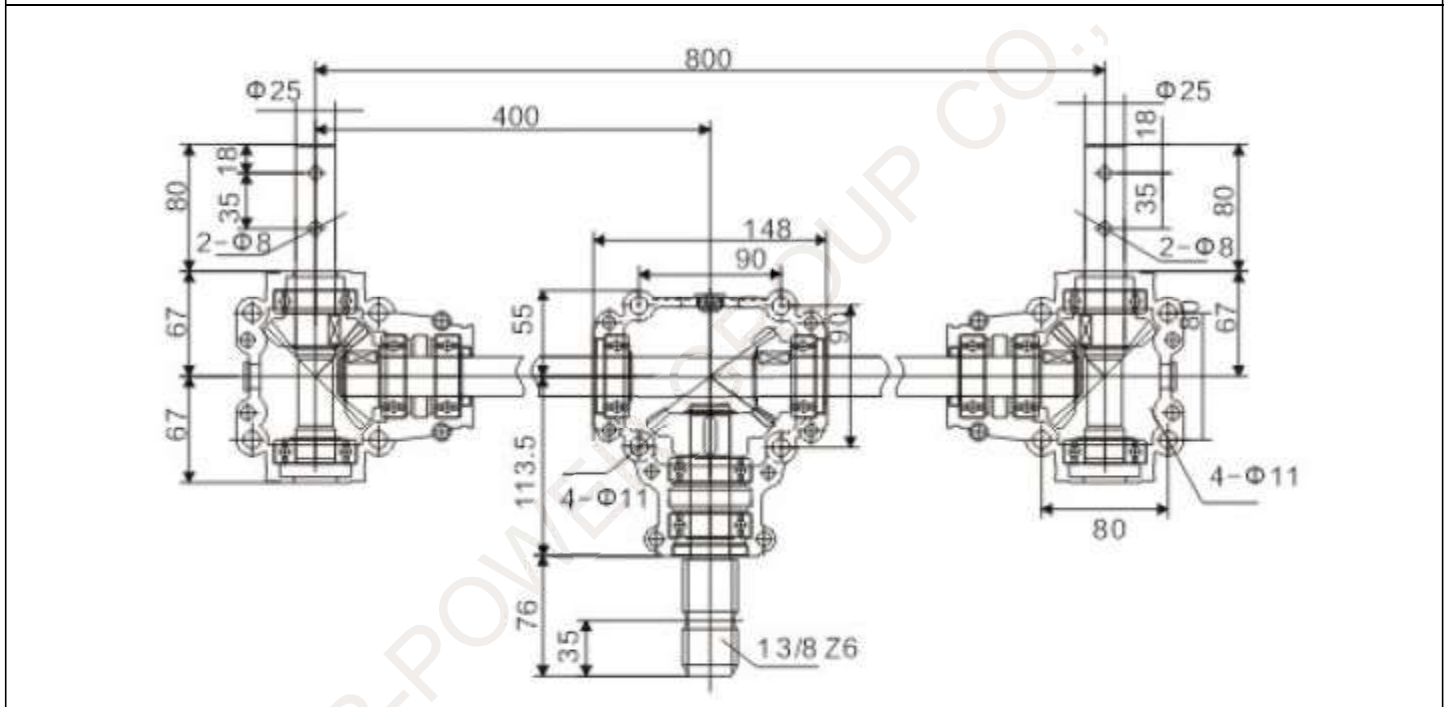
EP-BGB9V3



ITEM	Ratio	Teeth	Module	Power (HP)	Rated Input	Input/output description	Weight (N.W)
BGB9V3	1:1	16/16	6.35	45	540 rpm	1 3/8 Z6 1 3/8 Z6	70Kg

GEARBOX for Agricultural Machine

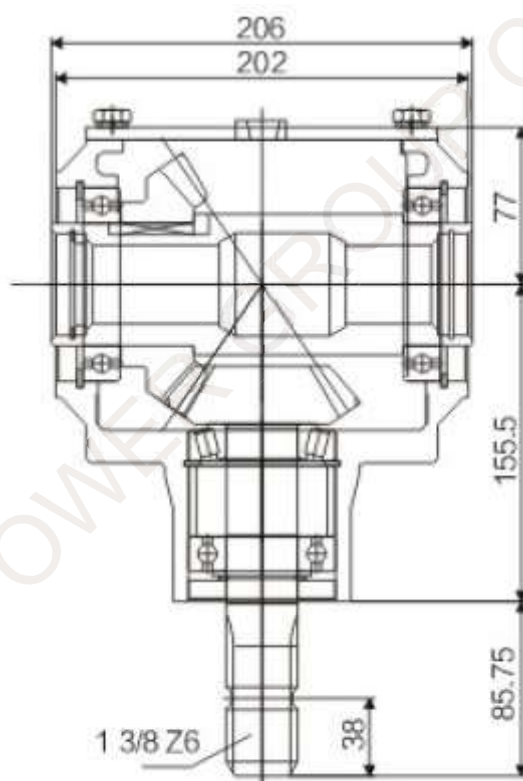
EP-U1914-1



ITEM	Ratio	Teeth	Module	Power (HP)	Rated Input	Input/output description	Weight (N.W)
U1914-1	1:1.35	23/17	3.5	15	540 rpm	1 3/8 Z6 Φ25 Optic axis	15Kg
	1:1	15/15	4.5	18			

GEARBOX for Agricultural Machine

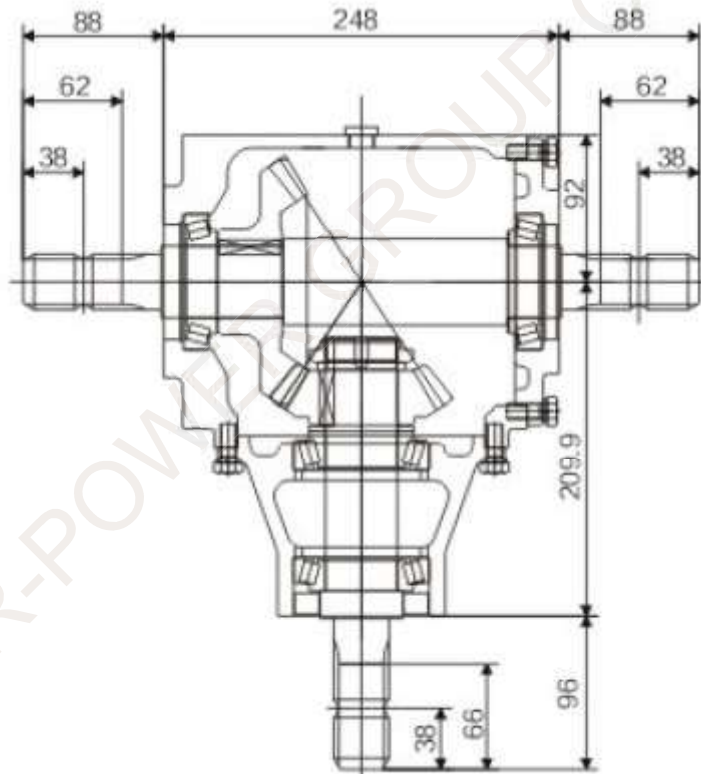
EP-01-672



ITEM	Ratio	Teeth	Module	Power (HP)	Rated Input	Input/output description	Weight (N.W)
01-672	1.46:1	15/22	5.65	40	540 rpm	1 3/8 Z6 38.6X38.6	20.5Kg
01-704	1.92:1	12/23	5.5				

GEARBOX for Agricultural Machine

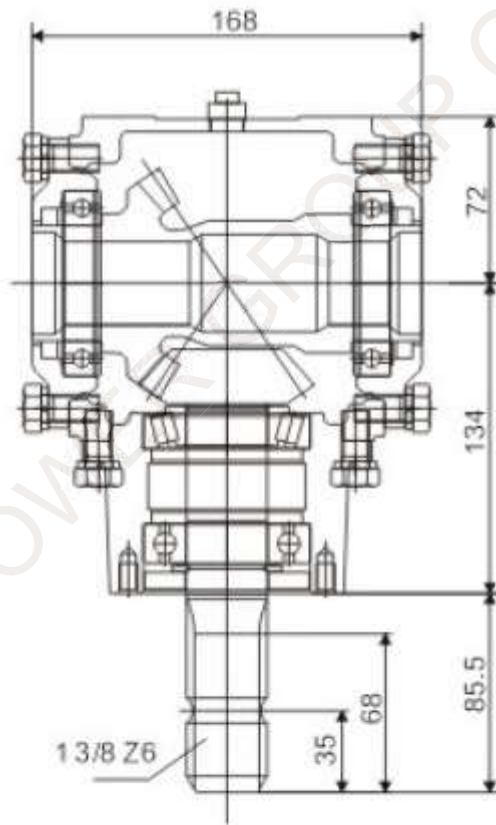
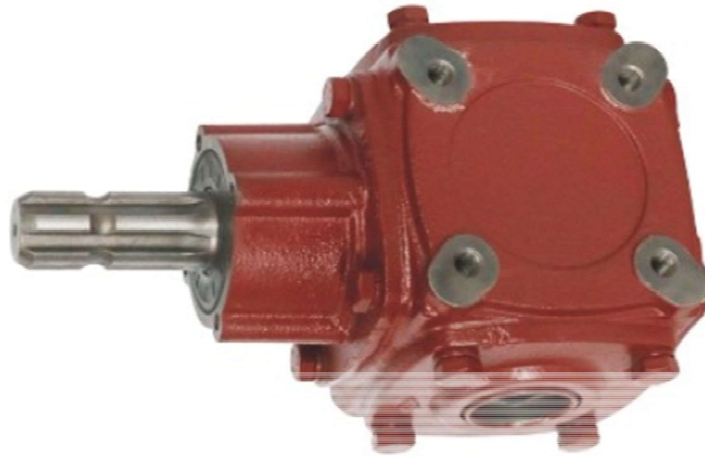
EP-9.279



ITEM	Ratio	Teeth	Module	Power (HP)	Rated Input	Input/output description	Weight (N.W)
9.279	1:1.5	27/18	5.7	90	540 rpm	1 3/8 Z6 1 3/8 Z6	38Kg

GEARBOX for Agricultural Machine

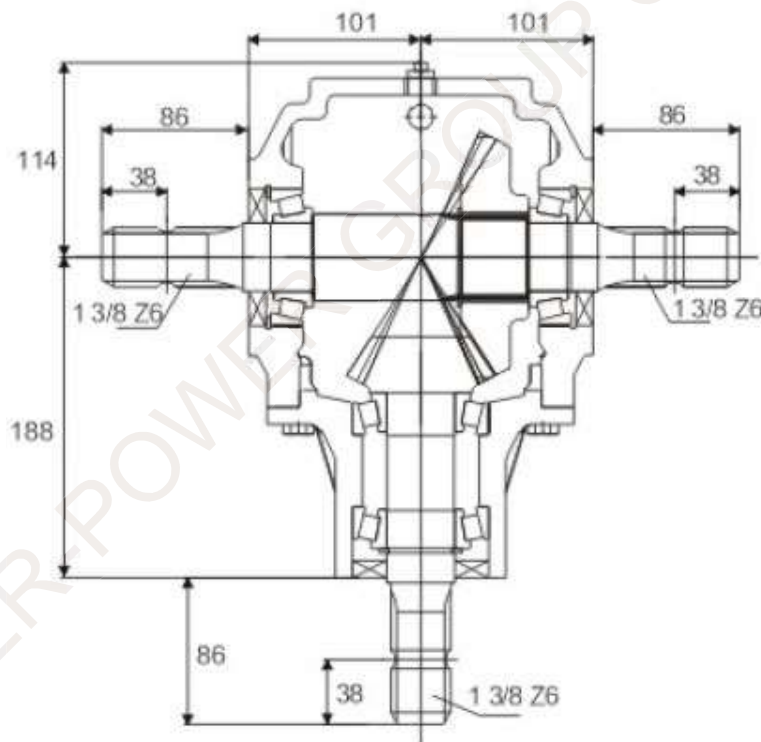
EP-9.259



ITEM	Ratio	Teeth	Module	Power (HP)	Rated Input	Input/output description	Weight (N.W)
9.259	1.46:1	13/19	5.0	23	540 rpm	1 3/8 Z6 36X36	15Kg

GEARBOX for Agricultural Machine

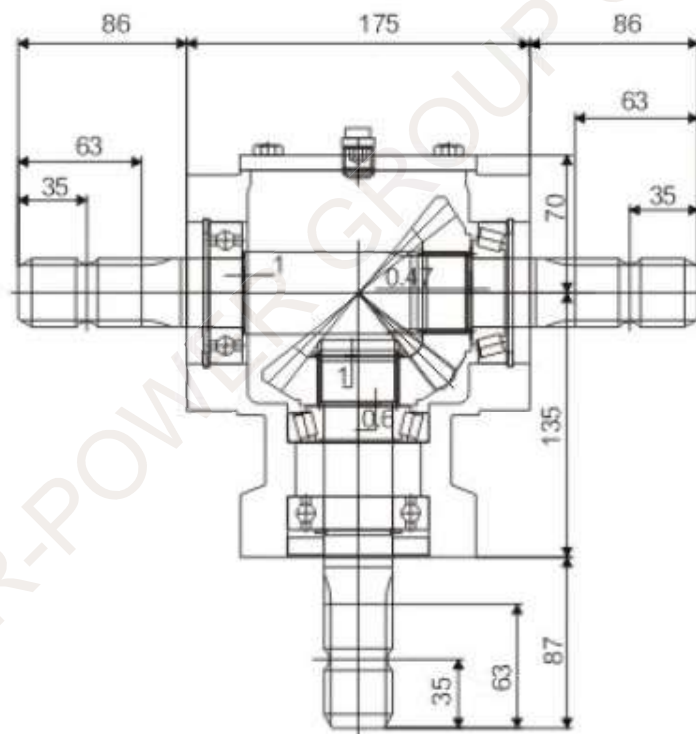
EP-B21501C



ITEM	Ratio	Teeth	Module	Power (HP)	Rated Input	Input/output description	Weight (N.W)
B21501C	1.92:1	29/15	5.0	45	540 rpm	1 3/8 Z6 1 3/8 Z6	30Kg

GEARBOX for Agricultural Machine

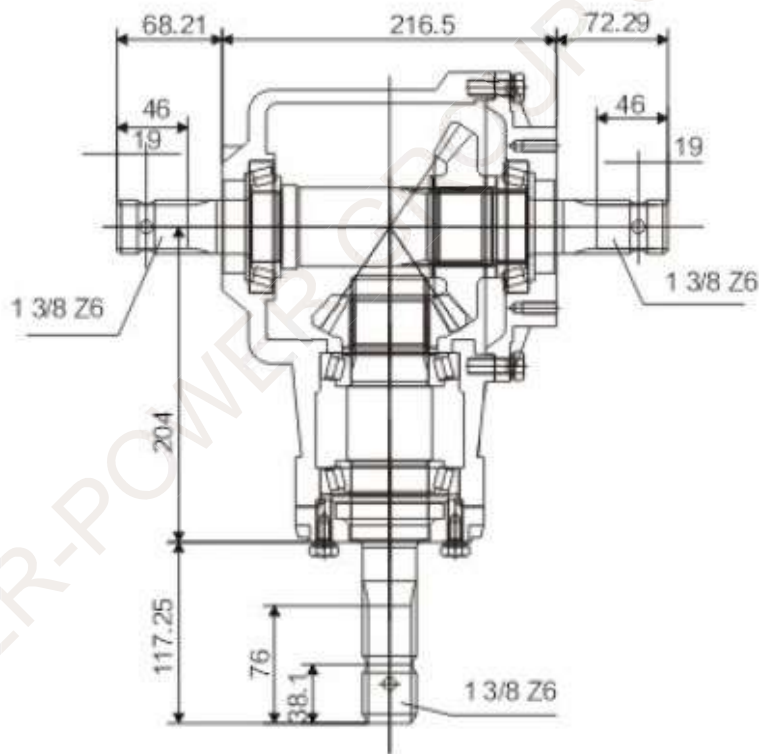
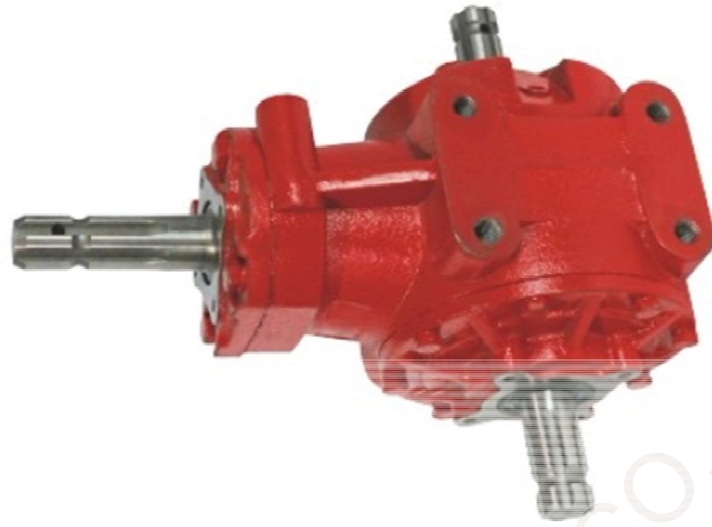
EP-BGB8-T11



ITEM	Ratio	Teeth	Module	Power (HP)	Rated Input	Input/output description	Weight (N.W)
BGB8-T11	1:1	14/14	6.35	35	540 rpm	1 3/8 Z6 1 3/8 Z6	
BGB8-T21	2:1	30/15	3.0	30			

GEARBOX for Agricultural Machine

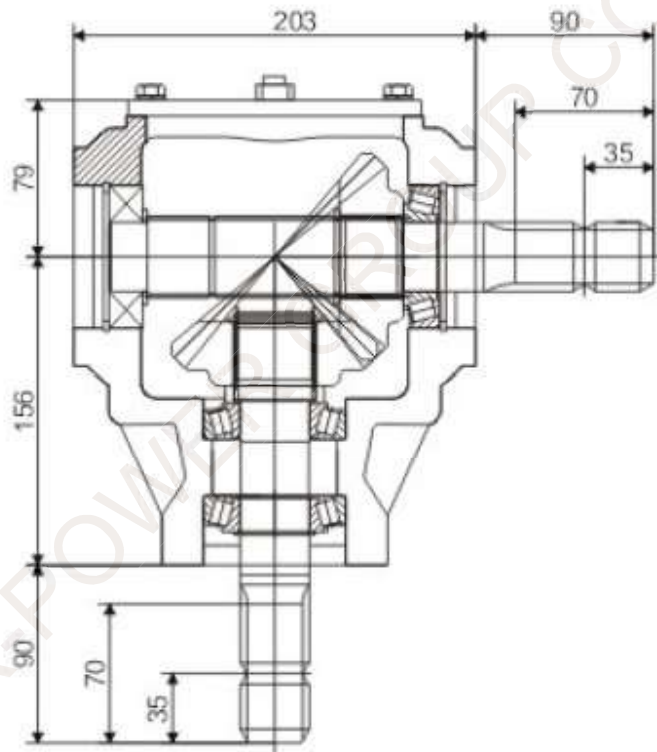
EP-RC61T



ITEM	Ratio	Teeth	Module	Power (HP)	Rated Input	Input/output description	Weight (N.W)
RC61T-146	1:1.46	13/19	7.0	60	540 rpm	1 3/8 Z6	37Kg
RC61T-11	1:1	16/16				1 3/8 Z6	

GEARBOX for Agricultural Machine

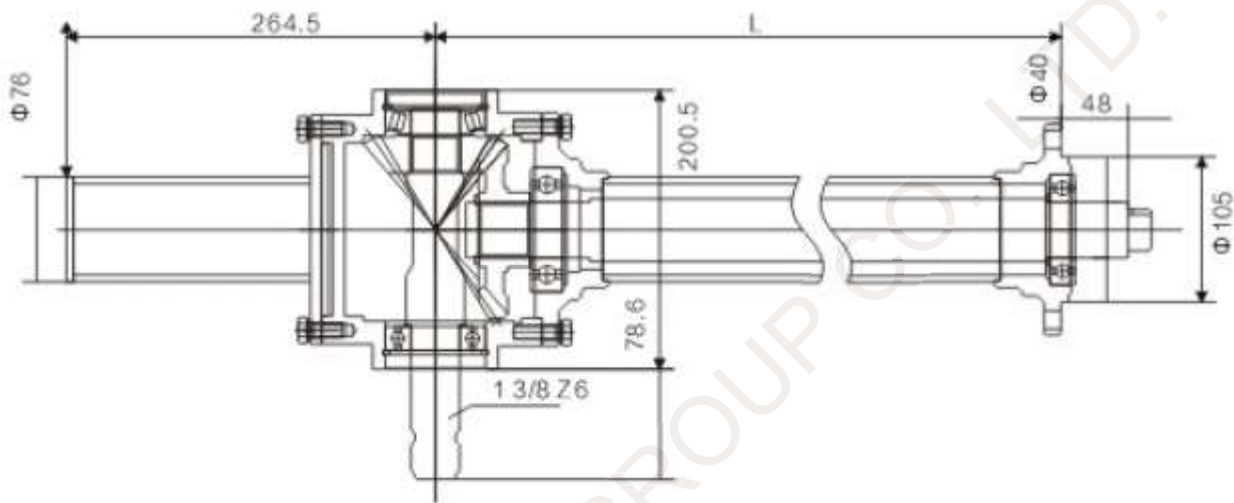
EP-BGB9



ITEM	Ratio	Teeth	Module	Power (HP)	Rated Input	Input/output description	Weight (N.W)
BGB9.011-LL	1:1	16/16	6.35	45	540 rpm	1 3/8 Z6 1 3/8 Z6	
BGB9.013-LL	2:1	30/15	3.5	30		Optic axis	

GEARBOX for Agricultural Machine

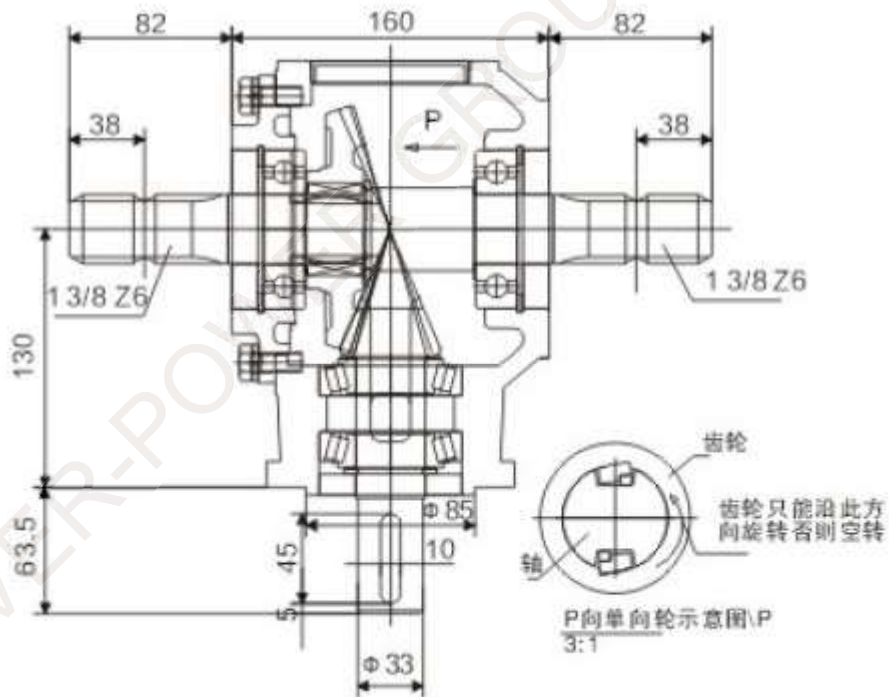
EP-RTM130



ITEM	Ratio	Teeth	Module	Power (HP)	Rated Input	Input/output description	Weight (N.W)
RTM130	1:1.46	22/15	6	45	540 rpm	1 3/8 Z6 Optic axis	

GEARBOX for Agricultural Machine

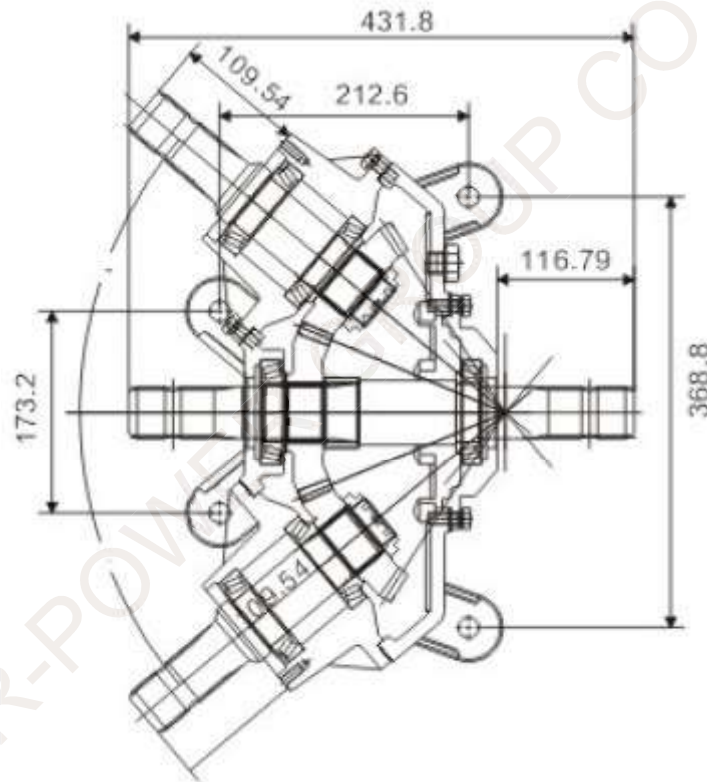
EP-T100



ITEM	Ratio	Teeth	Module	Power (HP)	Rated Input	Input/output description	Weight (N.W)
T100	1:3	12/36	3.45	30	540 rpm	1 3/8 Z6 Optic axis	18Kg

GEARBOX for Agricultural Machine

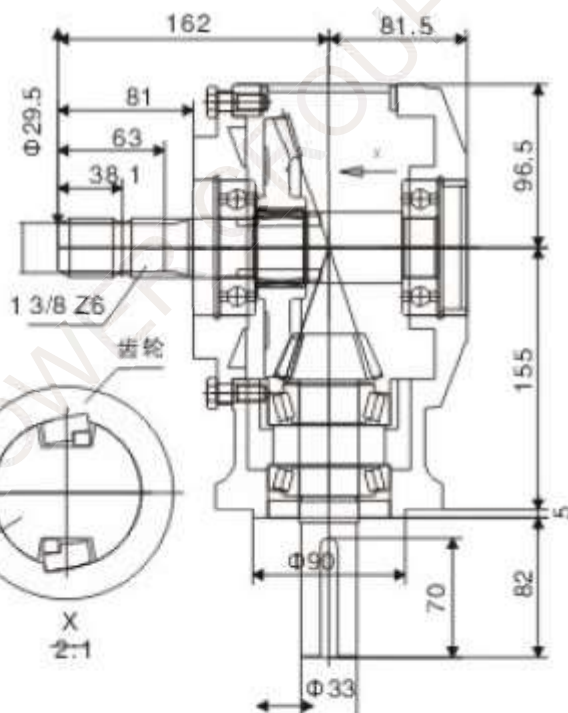
EP-01-661



ITEM	Ratio	Teeth	Module	Power (HP)	Rated Input	Input/output description	Weight (N.W)
01-661	1:1.3	26/20	5.644	80	540 rpm	1 3/4 Z20	57.5Kg
01-662	1.3:1						

GEARBOX for Agricultural Machine

EP-9.311.874.30



ITEM	Ratio	Teeth	Module	Power (HP)	Rated Input	Input/output description	Weight (N.W)
9.311.874.30	1:3	12/36	4.36	50	540 rpm	1 3/8 Z6 Φ33 Optic axis	20.5Kg

Model 650 & Model 1000 Post Hole Diggers



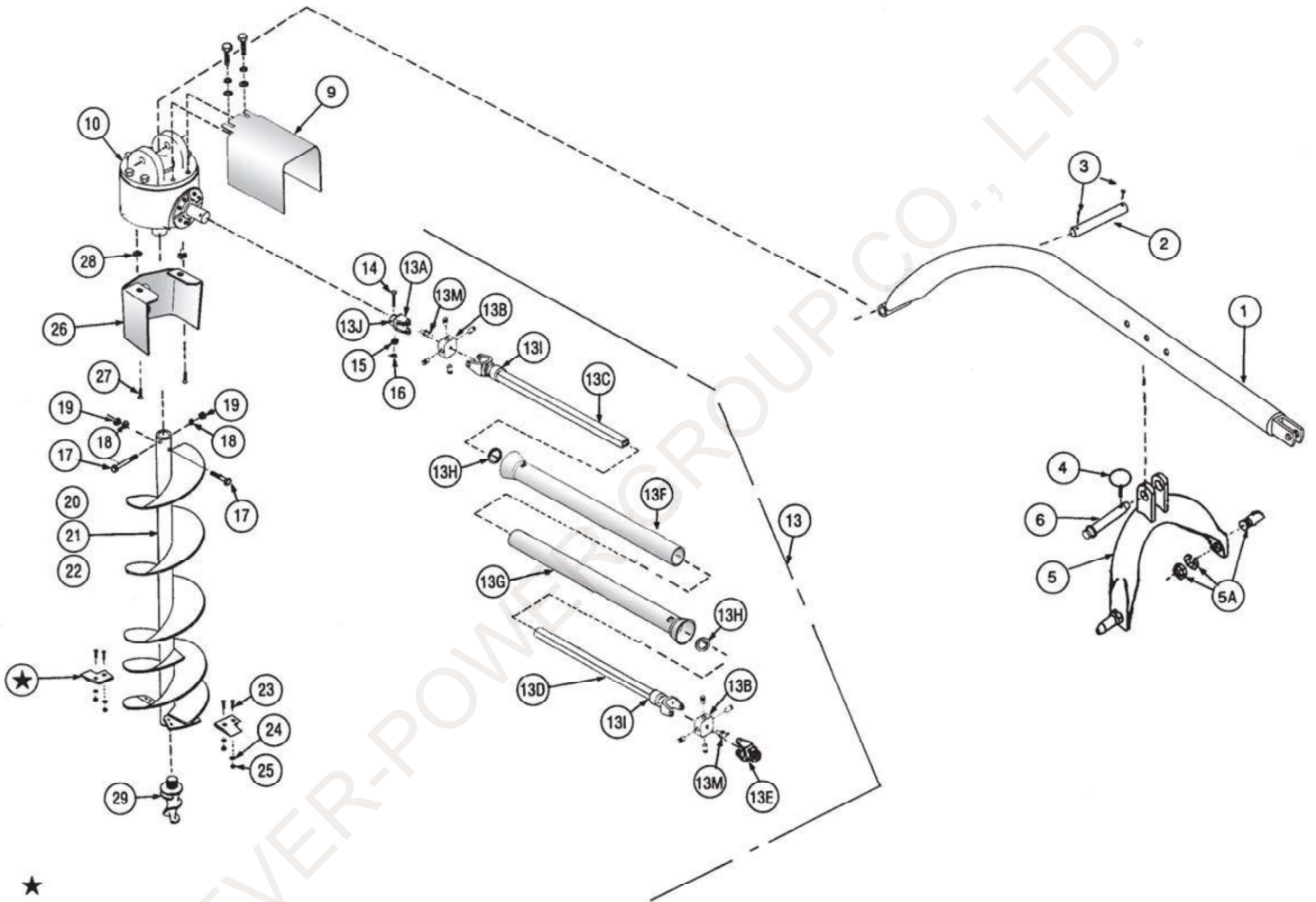
MODEL 650 POST HOLE DIGGER PARTS BREAKDOWN

	DIGT650	Model 650 Post Hole Digger w/o Auger	1
1	DIGT002	Boom	1
2	DIGT002P	Boom Pin	1
3	NA	5/32 in. x 1-1/2 in. Cotter Pin	2
4	LKLP044	7/16 in. Lynch Pin	1
5	DIGT003	"A" Frame	1
5A	LKDP101	7/8 in. Pull Pin with Nut and Lockwasher	2
6	DIGT003P	"A" Frame Pin	1
9	DIGT204	Gear Box Input Guard	1
10	DIGT201	Gear Box Assembly	1
10A	DIGT202	Gear Box Bearing & Seal Kit	1
12	DIGT203	Gear Box Output Guard	1
13	PTOLD650	Model 650 Driveline with Plastic Shield	1
13A	PPTOLD650G	Guard Assembly	1
13B	PTOLD650B	Cross and Bearing Kit	2
13C	PTOLD650Y	Push Pin Yoke	1
13D	PTOLD650I	Implement End Yoke	1
13E	NA	1/4" x 3/8" Pointed Set Screw	1
14	NA	5/16 in. x 2-1/2 in. Hex Cap Screw (Grade 5 Shear Bolt)	1
15	NA	5/16 in. Lockwasher	1
16	NA	5/16 in. NC Hex Nut	1
17	NA	1/2 in. NC x 3 in. Hex Cap Screw	2
18	NA	1/2 in. Lockwasher	2
19	NA	1/2 in. NC Hex Nut	2
20	AUGT006	6 in. Auger with Screw Point and Cutting Edges	as required
21	AUGT009	9 in. Auger with Screw Point and Cutting Edges	as required
	AUGT109	9 in. Heavy Duty Auger with Screw Point and Cutting Edges	as required
22	AUGT012	12 in. Auger with Screw Point and Cutting Edges	as required
	AUGT112	12 in. Heavy Duty Auger with Screw Point and Cutting Edges	as required

NA- Common fasteners available through local hardware and farm stores.

**MODEL 650 DIGGER
PARTS DIAGRAM**

ILLUSTRATION C



See Illustration D for Cutting Edges



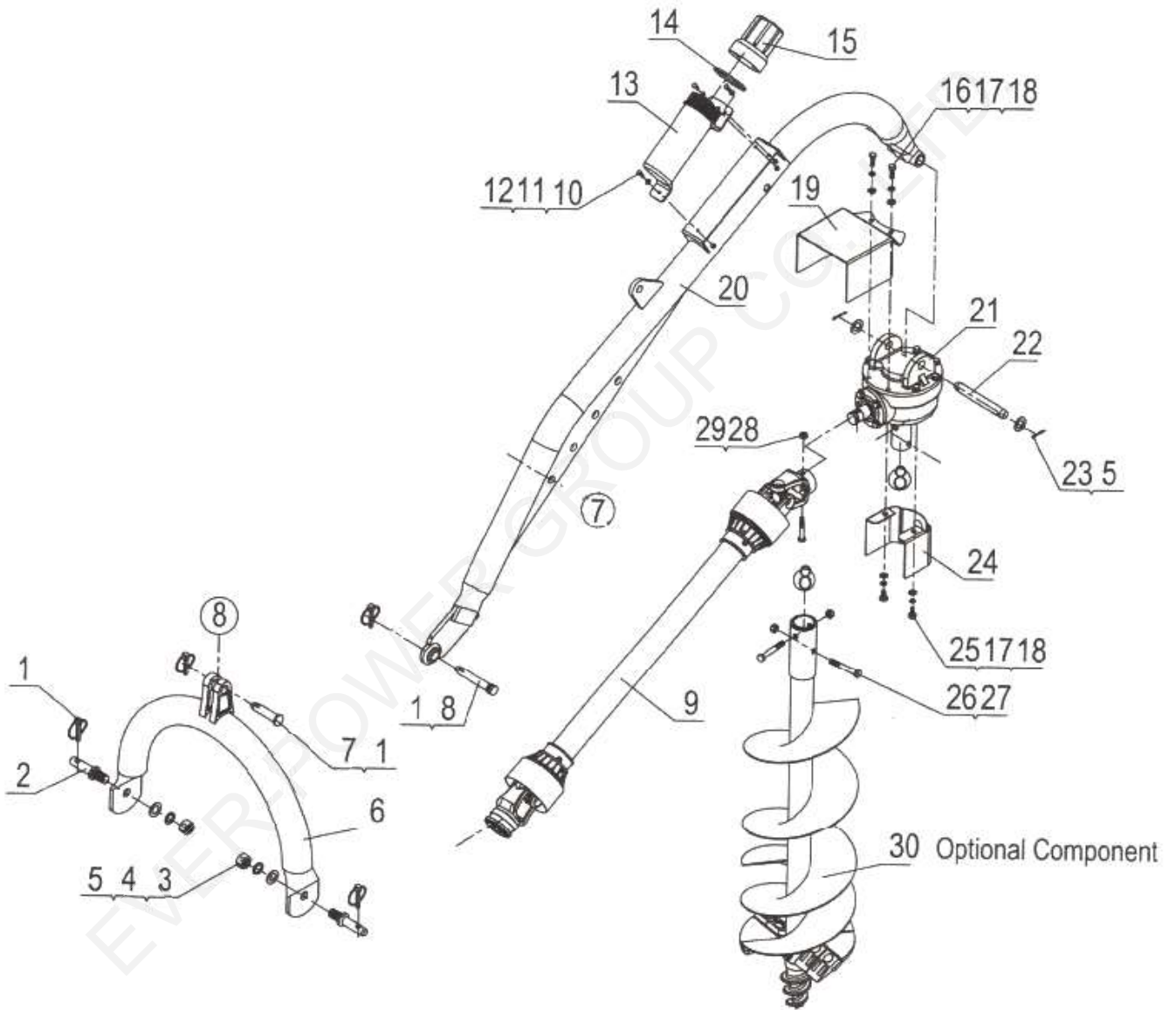
NOTE: Safety shields are shaded on this diagram. NEVER operate the digger with any shield missing.

MODEL 1000 POST HOLE DIGGER PARTS BREAKDOWN

	DIGT1000	Model 1000 Post Hole Digger w/o Auger	1
1	LKLP044	7/16" Linch Pin	4
2	LKDP101	7/8" Pull Pin	2
3	NA	Hex Nut 7/8"-14 UN	1
4	NA	Lock Washer 22mm	2
5	NA	Flat Washer 22mm	4
6	DIGT103	"A" Frame	1
7	LKTP102	"A" Frame Pin	1
9	PTOLD1000	Model 1000 Driveline w/ Plastic Shields	1
10	NA	Hex Bolt 5/16 x 3/4"	3
11	NA	Flat Washer 5/16 (optional)	3
12	NA	Lock Nut 5/16 (welded on bracket)	3
13	DIGT110	Manual Canister	1
14	DIGT111	Rubber Gasket	1
15	DIGT112	Barrelhead	1
16	NA	Hex Bolt M10x30	2
17	NA	Lock Washer 10mm	4
18	NA	Flat Washer 10mm	4
19	DIGT204	Gear Box Input Guard	1
20	DIGT102	Boom	1
21	DIGT201	Gear Box	1
22	DIGT002P	Boom Pin	1
23	NA	Cotter Pin 4x40	2
24	DIGT203	Gear Box Output Guard	1
25	NA	Inner Hex Flat Screw M10x20	2
26	NA	Hex Bolt 1/2"-13 UNC	2
27	NA	Nylon Lock Nut 1/2"-13 UNC	2
28	NA	Hex Bolt 3/8"-16 UNC	1
29	NA	Nylon Lock Nut 3/8" 16 UNC	1
30	AUGT006	6 in. Auger with Screw Point and Cutting Edges	as required
	AUGT009	9 in. Auger with Screw Point and Cutting Edges	as required
	AUGT109	9 in. Heavy Duty Auger with Screw Point and Cutting Edges	as required
	AUGT012	12 in Auger with Screw Point and Cutting Edges	as required
	AUGT112	12 in. Heavy Duty Auger with Screw Point and Cutting Edges	as required
	AUGT118	18 in Heavy Duty Auger	as required
	AUGT124	24 in Heavy Duty Auger	as required

NA - Common fasteners available through local hardware and farm stores.

**MODEL 1000 DIGGER
PARTS DIAGRAM**



CUTTING EDGES AND POINT PARTS BREAKDOWN

REFERENCE NUMBER	PART NUMBER	DESCRIPTION	NUMBER REQUIRED
1	AUGT206	6 in. Cutting Edge	2
2A	AUGT309	9 in. Outer Cutting Edge	1
2B	AUGT209	9 in. Inner Cutting Edge	1
3	AUGT312	12 in. Outer Cutting Edge	1
4	AUGT212	12 in. Inner Cutting Edge	1
5	AUGT101	Screw Point with 1-1/4 in. NC Threads	1
6	NA	3/8 in. NC x 1-1/4 Carriage Bolt	4
7	NA	3/8 in. Lockwasher	4
8	NA	3/8 in. NC Hex Nut	4
--	AUGT406	Heavy Duty Cutting Edge Pair	depends on auger size

NA- Common fasteners available through local hardware and farm stores

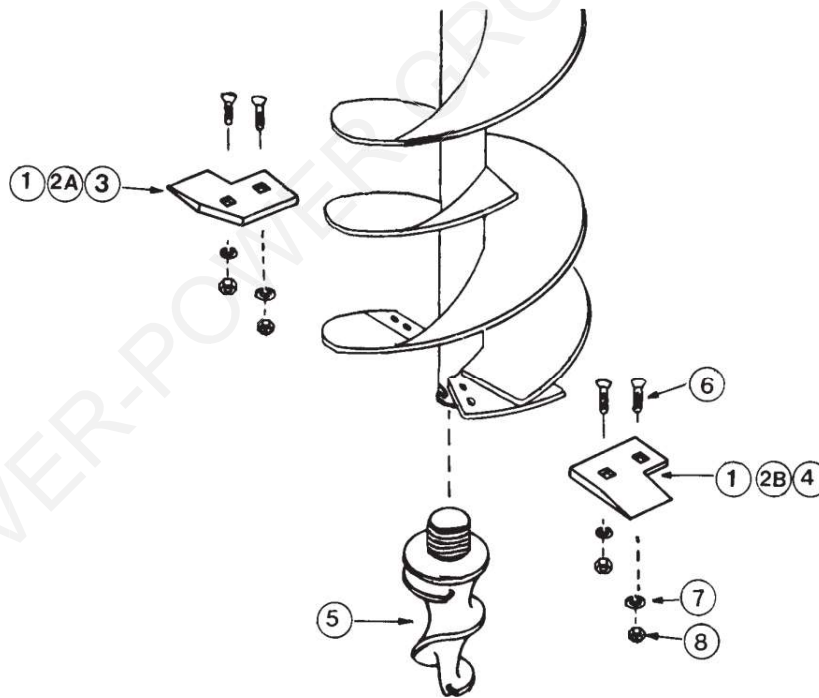


ILLUSTRATION D

NOTE: It is important to replace the self-sharpening point on the auger when it shows signs of excessive wear. Generally, the digging life of the point will be greater than that of the inner cutting edge. The digging life of the inner cutting edge will be greater than that of the outer cutting edge since it covers fewer inches of digging circumference.

DWJC 温室大棚减速机
DWJC Greenhouse Reducers



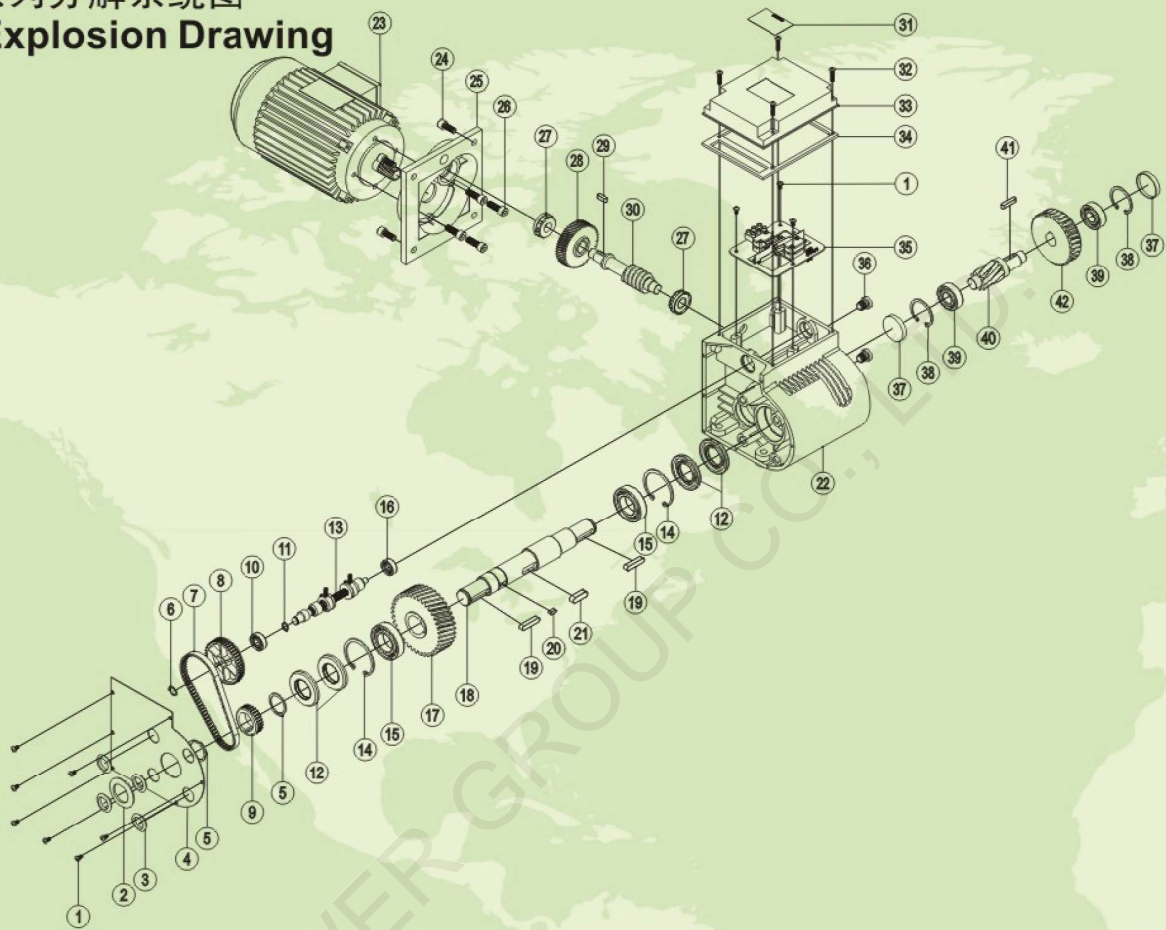
Indication of Model Numbers
机型号表示:

DWJC	-	40	500	0.55KW
产品代号 Type DWJC		型号 Model 30 40 50 80	速比 Ratio 300 500	输入KW Input kW 0.18kw 0.37kw 0.55kw 0.75kw 请参阅型号 功率速比- 览表 Selection Table of Model,Kw& Ratio

型号功率速比一览表
Selection Table of Model,Kw&Ratio

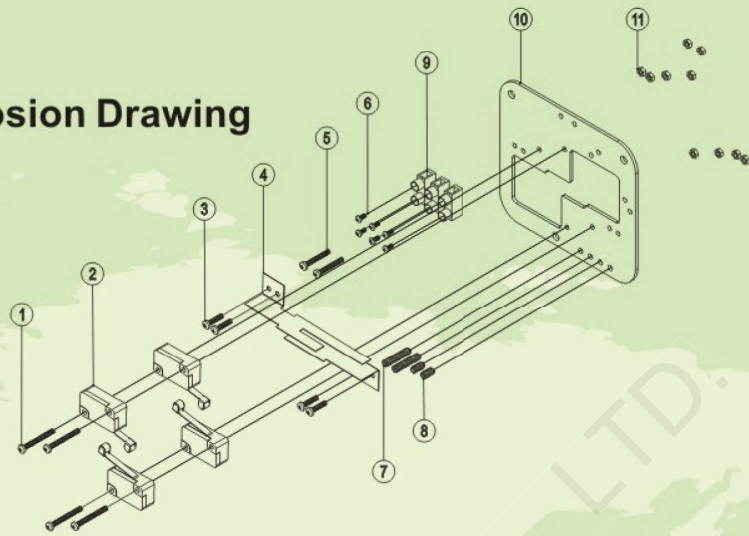
数据 Data 型号 Model	速比 RATIO	输出 转速 Output Speed r/min	输出 扭矩 Output Torque Nm	输入 功率 Input kW	电机保护 等级 Motor Sfety Gade	电压 Voltage V	频率 frequency Hz	限位控制范围 Limit control range
DWJC-30		1	300	0.18	Ip55	380	50	1~75r (输出轴转速) 1~75r (Output Speed)
DWJC-40	500	2.6	400	0.37				
	300	5.2	300					
DWJC-50	500	2.6	600	0.55				
	300	5.2	400					
DWJC-80	500	2.6	800	0.75				
	300	5.2	600					

DWJC系列分解系统图
DWJC Explosion Drawing



编号NO.	零件名称 Name of Parts	编号NO.	零件名称 Name of Parts
01	十字槽盘头螺钉 Cross Recess Pan Head Screw	22	箱体 Box
02	密封圈 Sealing Ring	23	电机 Motor
03	密封圈 Sealing Ring	24	内六角圆柱头螺钉 Hexagon Socket Head Cap Screws
04	侧盖 Side Cover	25	端盖 Cover
05	轴用弹性挡圈 Circlips for Shaft	26	内六角圆柱头螺钉 Hexagon Socket Head Cap Screws
06	轴用弹性挡圈 Circlips for Shaft	27	圆锥滚子轴承 Ball Bearing
07	同步带 Synchronous Belt	28	齿轮 Gear
08	同步轮 Synchronous Wheel	29	普通平键 Key
09	同步轮 Synchronous Wheel	30	蜗杆 Worm shaft
10	深沟球轴承 Ball Bearing	31	铭牌 Nameplate
11	轴用弹性挡圈 Circlips for Shaft	32	十字槽盘头螺钉 Cross Recess Pan Head Screw
12	油封 Oil Seal	33	控制器盖 Controller Cover
13	限位模块 Limit Module	34	密封垫 Packing Plate
14	孔用弹性挡圈 Circlips for Hole	35	控制器模块 Controller Module
15	深沟球轴承 Ball Bearing	36	内六角圆柱头螺钉 Hexagon Socket Head Cap Screws
16	深沟球轴承 Ball Bearing	37	油封盖 Sealing Cover
17	齿轮 Gear	38	孔用弹性挡圈 Circlips for Hole
18	输出轴 Output shaft	39	深沟球轴承 Ball Bearing
19	普通平键 Key	40	齿轮轴 Gear Shaft
20	普通平键 Key	41	普通平键 Key
21	普通平键 Key	42	蜗轮 Worm Wheel

控制器模块分解图
Controller module Explosion Drawing



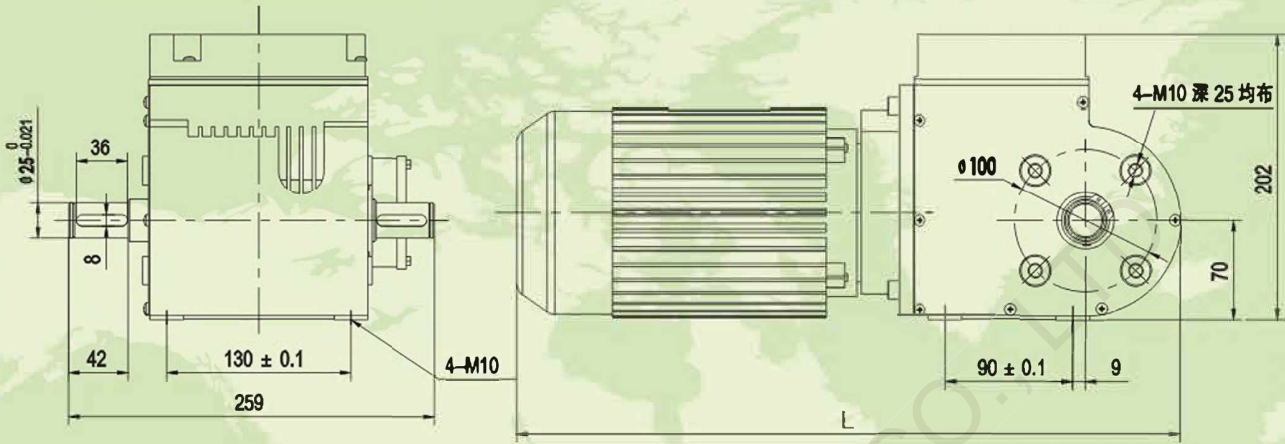
编号NO.	零件名称 Name of Parts
01	十字槽盘头螺钉 Cross Recess Pan Head Screw
02	微动开关 Micro Switch
03	十字槽盘头螺钉 Cross Recess Pan Head Screw
04	弹簧片 Leaf spring
05	十字槽盘头螺钉 Cross Recess Pan Head Screw
06	十字槽盘头螺钉 Cross Recess Pan Head Screw
07	内六角平端紧定螺钉 Hexagon Socket Set Screw With Flat Point
08	内六角平端紧定螺钉 Hexagon Socket Set Screw With Flat Point
09	接线端子 Amphenol Connector
10	底板 Base Plate
11	六角螺母 Hex Nut

限位模块分解图
Limit module Explosion Drawing



编号NO.	零件名称 Name of Parts
01	内六角平端紧定螺钉 Hexagon Socket Set Screw With Flat Point
02	限位螺母 Stop Nut
03	轴用弹性挡圈 Circlips for Shaft
04	内六角平端紧定螺钉 Hexagon Socket Set Screw With Flat Point
05	内六角平端紧定螺钉 Hexagon Socket Set Screw With Flat Point
06	螺母环 Nut Ring
07	螺母 Nut
08	丝杆 Lead Screw

产品尺寸图
Product Dimension Drawing

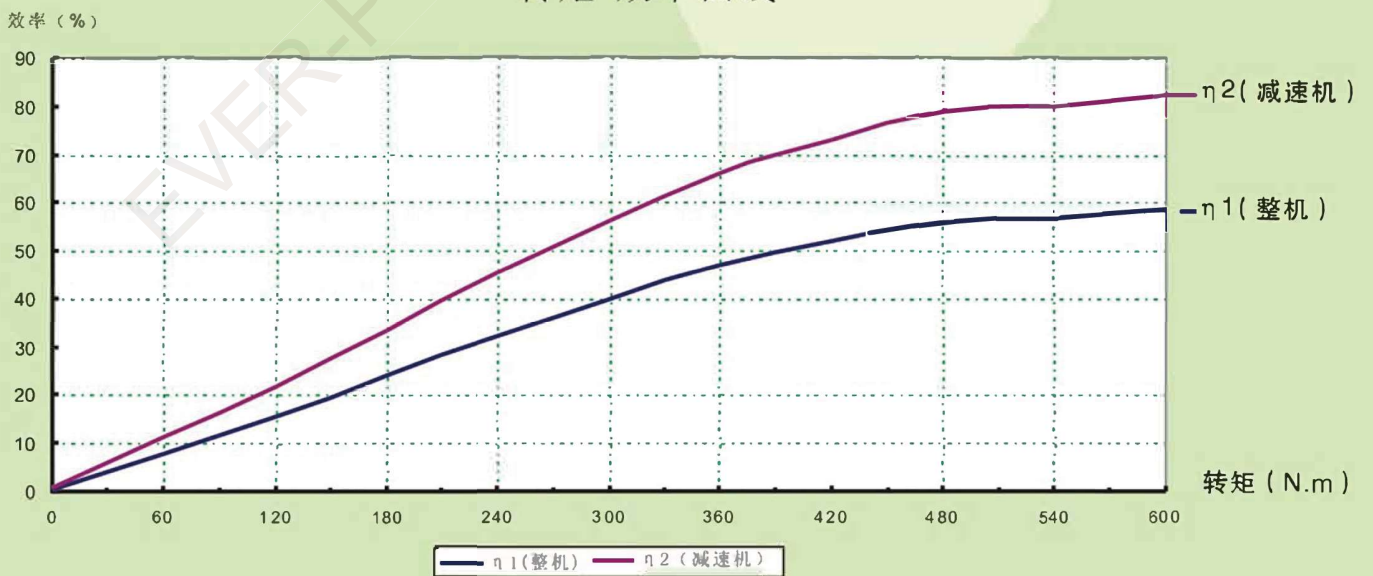


功率 (KW)	数据(Data)	L (mm)	重量 (kg)
0.18		440	15
0.37		460	17
0.55/0.75		475	20

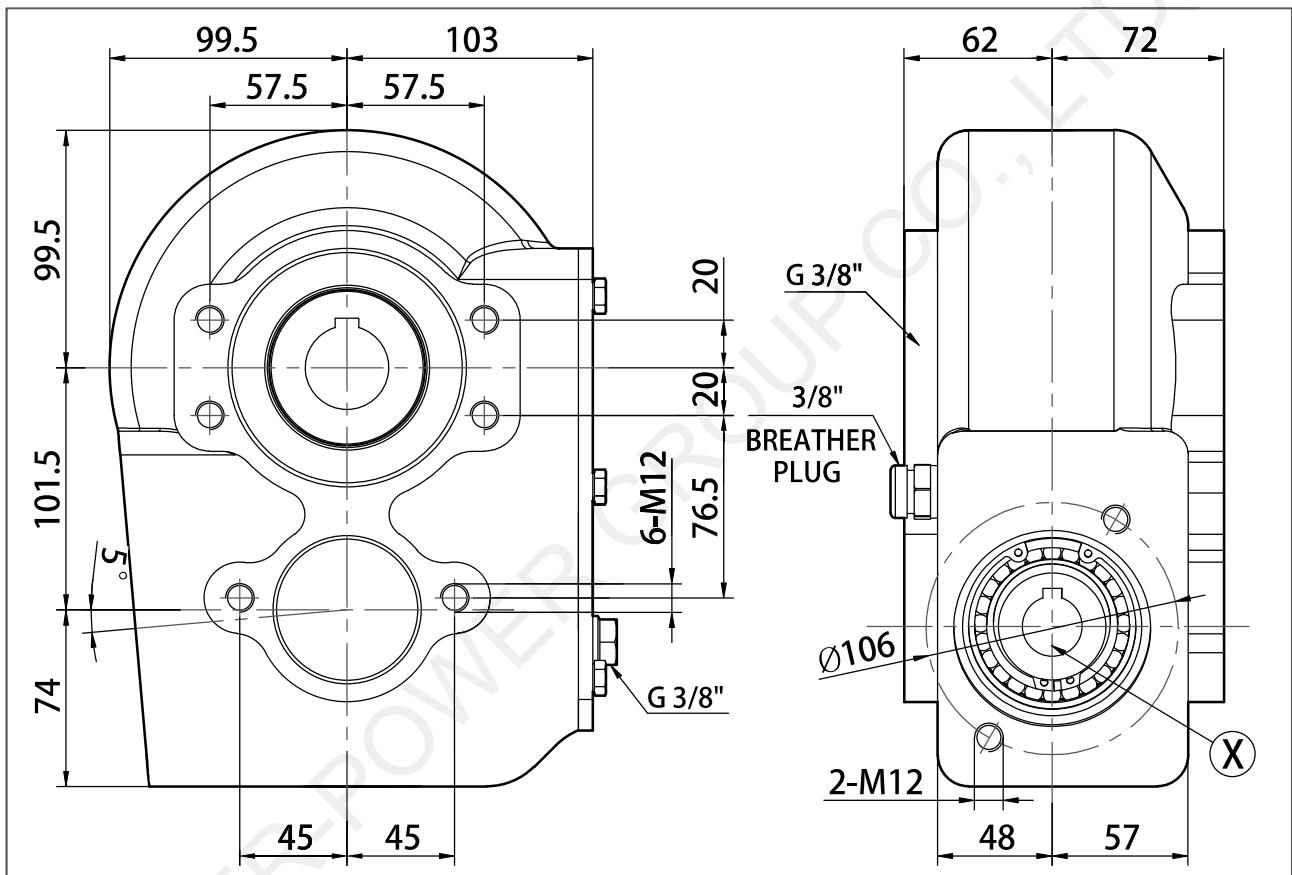
减速机效率-转矩曲线图
Ruducer Efficiency & Torque Graph

减速机型号: DWJC-50-500:1-0.55kW

转矩-效率曲线



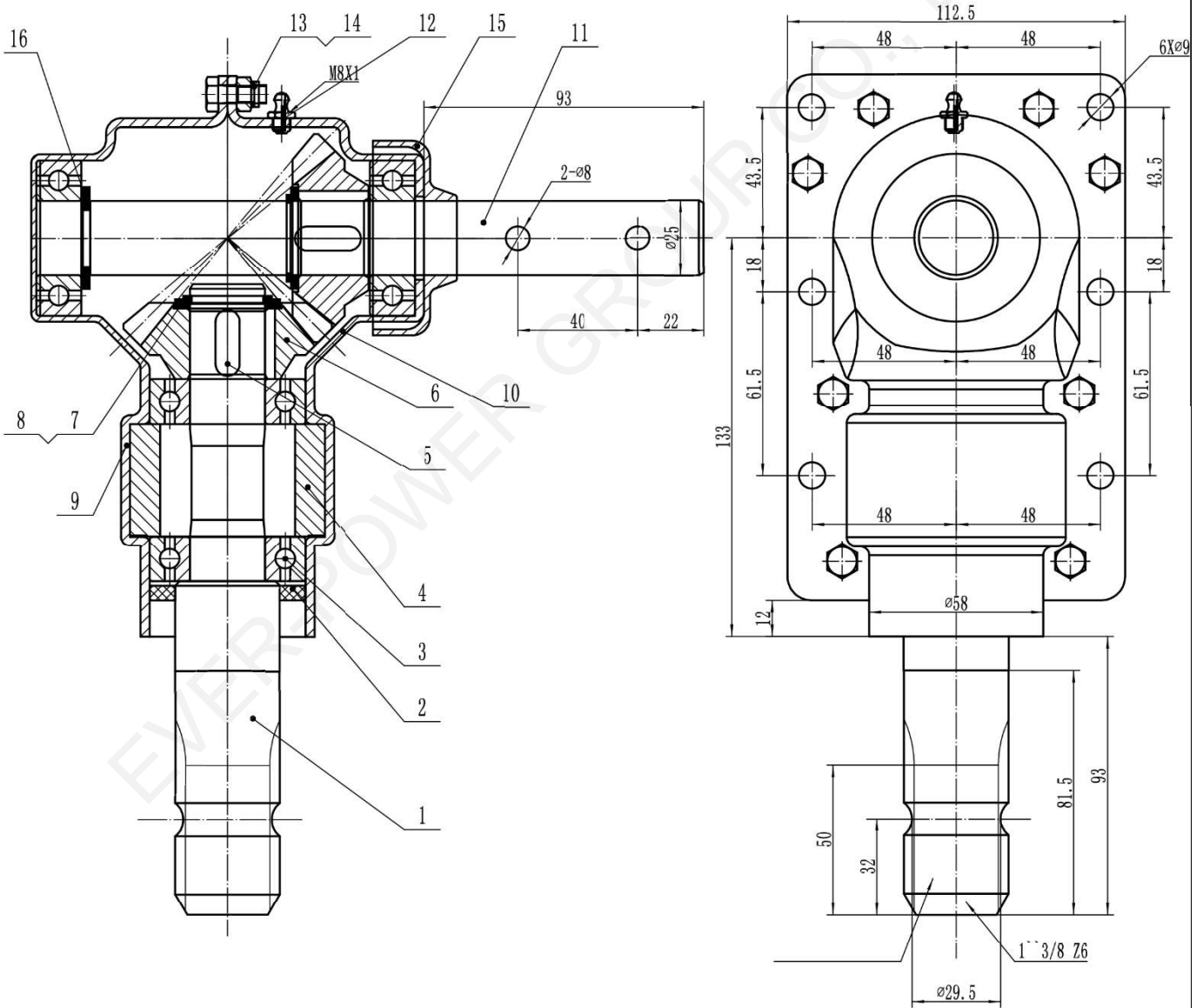
齿轮箱 GEARBOX EP08



速比 (Ratio)	输入(Input) r.p.m	输入功率(Input Power)		输出(Output) Nm	输入轴 (Input Shaft)	备注 (Comments)
		kW	HP			
8.15:1	540	19	26	2205	X	

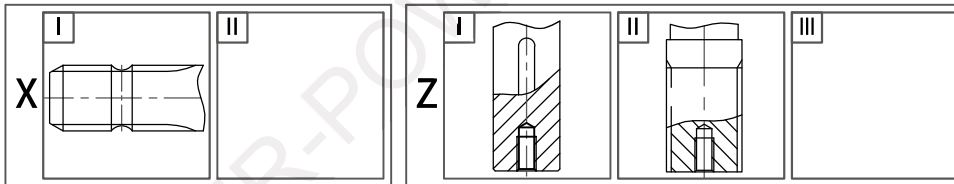
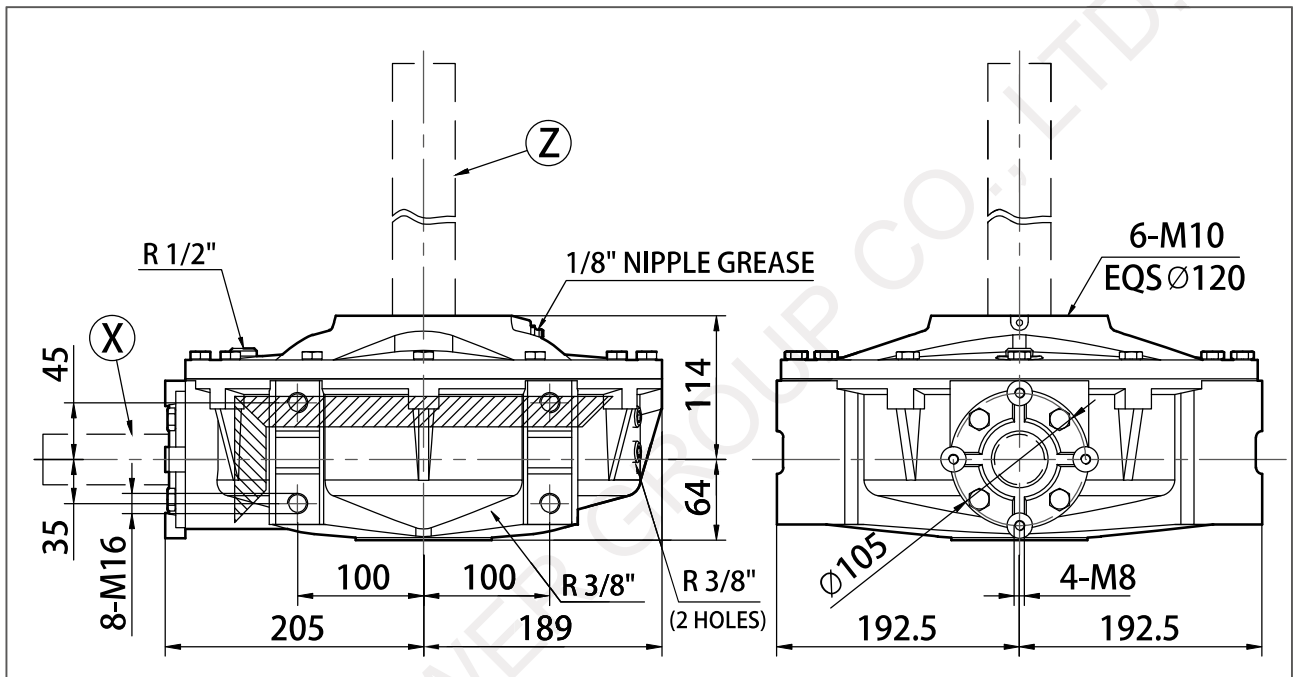
GEARBOX FOR SNOW PLOW

EP29



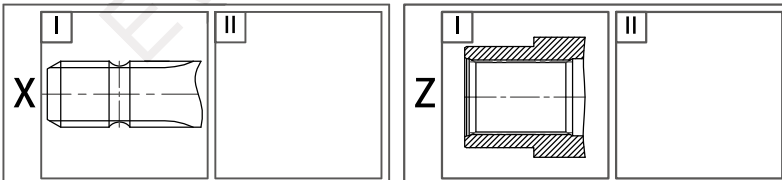
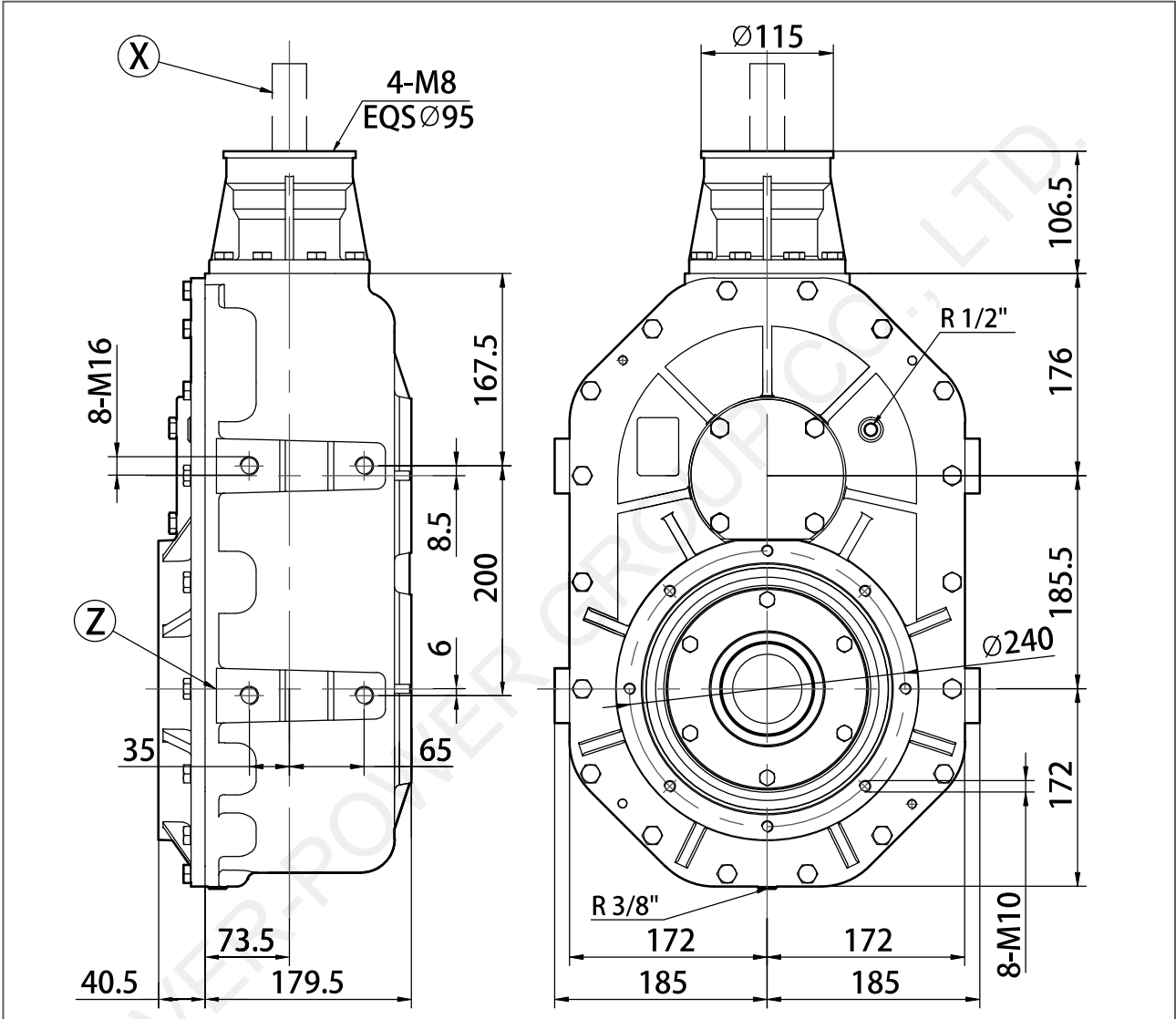
Ratio <i>i</i>	Input speed r.p.m	Input power		Output shaft torque ds Nm	Z1	Z2	M	Weight Kg
		HP	KW					
1:1	540				16	16	4.5	

齿轮箱 GEARBOX EP54



速比 (Ratio)	输入(Input) r.p.m	输入功率(Input Power)		输出(Output) Nm	输入轴 (Input Shaft)	备注 (Comments)
		kW	HP			
7.75:1	540	19.1	26	2600	X	

齿轮箱 GEARBOX EP73



速比 (Ratio)	输入(Input) r.p.m	输入功率(Input Power)		输出(Output) Nm	输入轴 (Input Shaft)	备注 (Comments)
		kW	HP			
10.8:1	540	55.2	75	10219	X	
15:1		33.1	45	8516	X	



收获机械齿轮箱 Harvest Machinery Gearbox

增扭中间盘总成 Intermediate Pulley Assembly

图号/CODE	S-38036	
		
输入功率/Input Power	200HP	
输入转速/Input Speed	2200rpm	
重量/Weight	85Kg	
图号/CODE	XD2-31005A	
		
输入功率/Input Power	125HP	
输入转速/Input Speed	2200rpm	
重量/Weight	50Kg	



收获机械齿轮箱 Harvest Machinery Gearbox

剥皮机箱 Corn Barker Gearbox

图号/CODE	EPN30.100Z.02W	
		
输入功率/Input Power	20-30HP	
输入转速/Input Speed	419rpm	
传动比/Ratio(i)	1:1	
重量/Weight	45Kg	
粉碎机箱 Corn Stalk Shredder Gearbox		
图号/CODE	EPN30.132Z.04W	
		
输入功率/Input Power	50HP	
输入转速/Input Speed	1360rpm	
传动比/Ratio	1:1.32	
重量/Weight	28.5Kg	

收获机械齿轮箱 Harvest Machinery Gearbox

十字箱 Cross Shaft Gearbox

图号/CODE	AH133092-P	
		
输入功率/Input Power	60HP	
输入转速/Input Speed	1000rpm	
传动比/Ratio	1.5:1	
重量/Weight	34Kg	
图号/CODE	AH133093-1P	
		
输入功率/Input Power	60HP	
输入转速/Input Speed	1000rpm	
传动比/Ratio	1.5:1	
重量/Weight	34Kg	

收获机械齿轮箱 Harvest Machinery Gearbox

分动箱 Transfer Gear Case

图号/CODE	小分动箱系列	
		
输入功率/Input Power		
输入转速/Input Speed		
传动比/Ratio	1: 1/1.40: 1/1.79:1	
重量/Weight		
图号/CODE	大分动箱系列	
		
输入功率/Input Power		
输入转速/Input Speed		
传动比/Ratio	1.06:1/1.42:1/1.44:1/1.50:1/1.66:1	
重量/Weight		

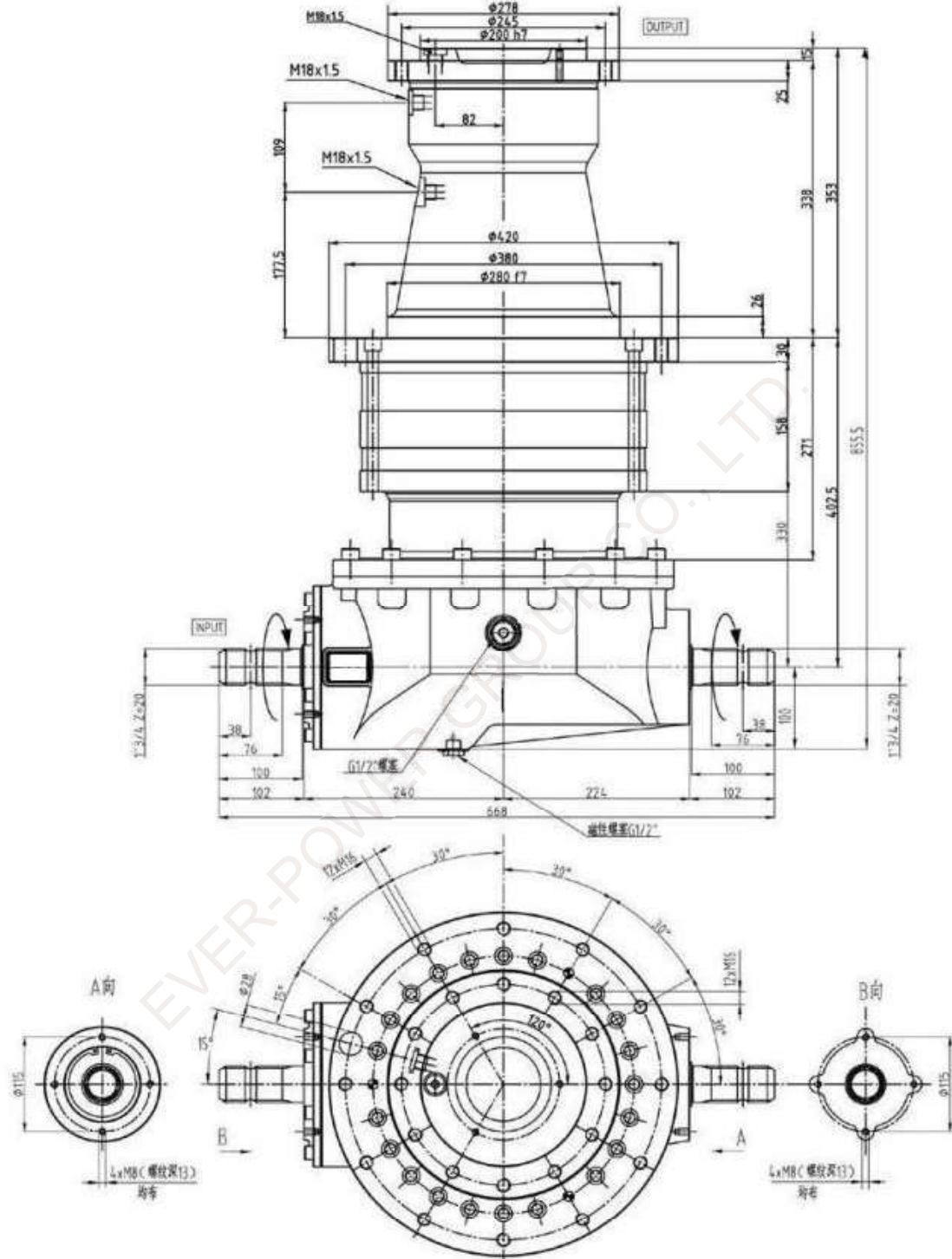
GEARBOX FOR TMR MIXER



ITEM no.	Ratio	Power KW	Output Torque (Nm)	Input speed(r.p.m)	weigh(Kg)
E1	14.60	61.97	16000	540	256
E2	18.20	46.61	15000	540	256
E3	28.27	59.27	16000	1000	290
E4	16.13	55.04	15700	540	256
E5	18.20	41.95	13500	540	256
E6	21.10	32.16	12010	540	256
E7	13.40	76.05	18020	540	280
E8	28.27	61.12	16500	1000	330
E9	25.89	72.89	18020	1000	290
E10	13.40	67.52	16000	540	256
E11	25.89	34.95	16000	540	290
E12	13.40	67.52	16000	540	256
E13	18.20	41.95	13500	540	256
E14	21.10	32.16	12000	540	256
E15	25.80	73.14	18020	1000	290
E16	13.38	76.16	18020	540	256

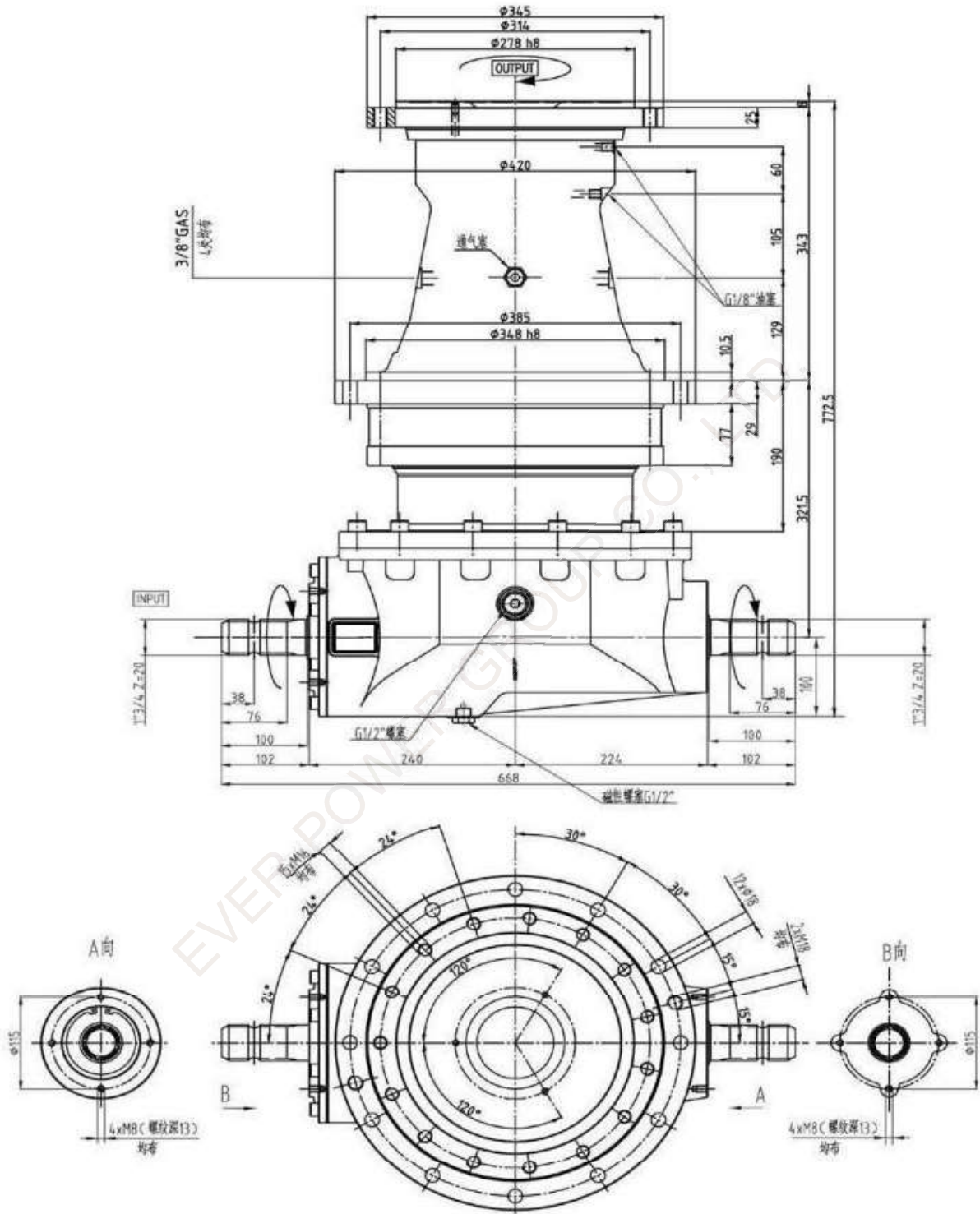
GEARBOX FOR TMR MIXER

ITEM NO. E3



E 3

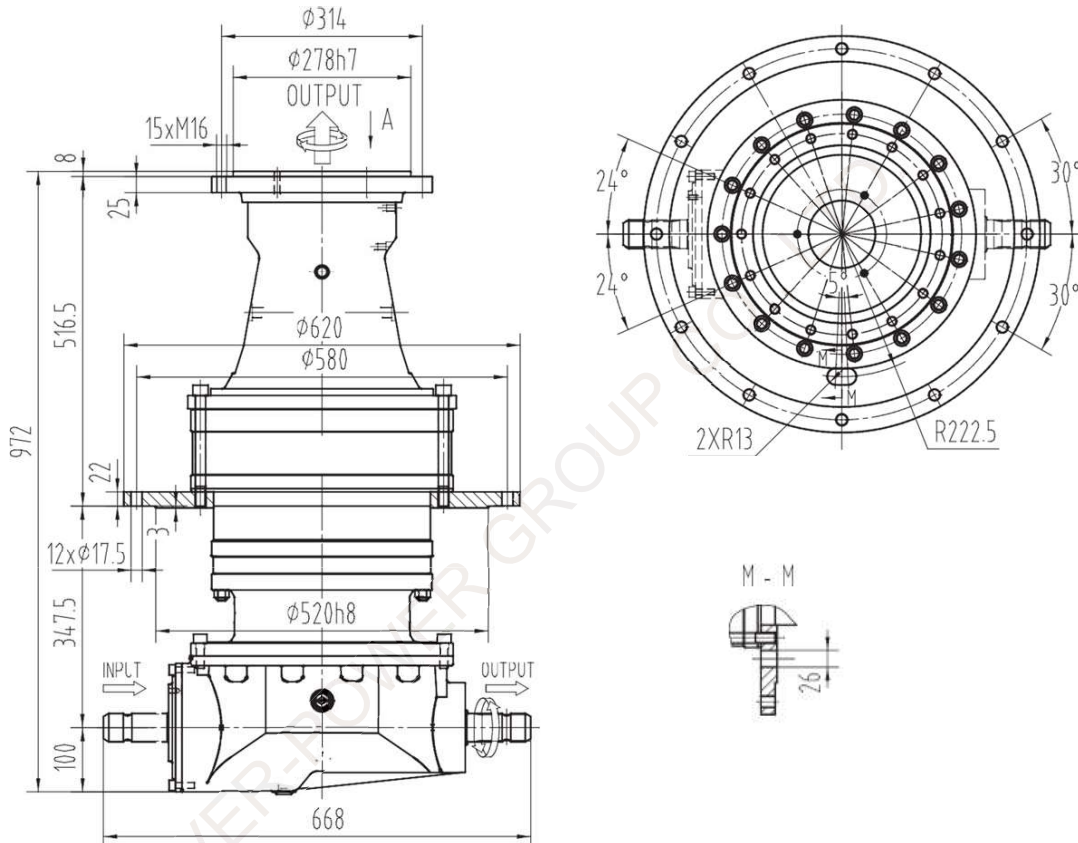
GEARBOX FOR TMR MIXER
 ITEM NO. E4 E5 E6 E7 E10 E12



E4、E5、E6、E7、E10、E12

GEARBOX FOR TMR MIXER or Biogas Plant Mixer

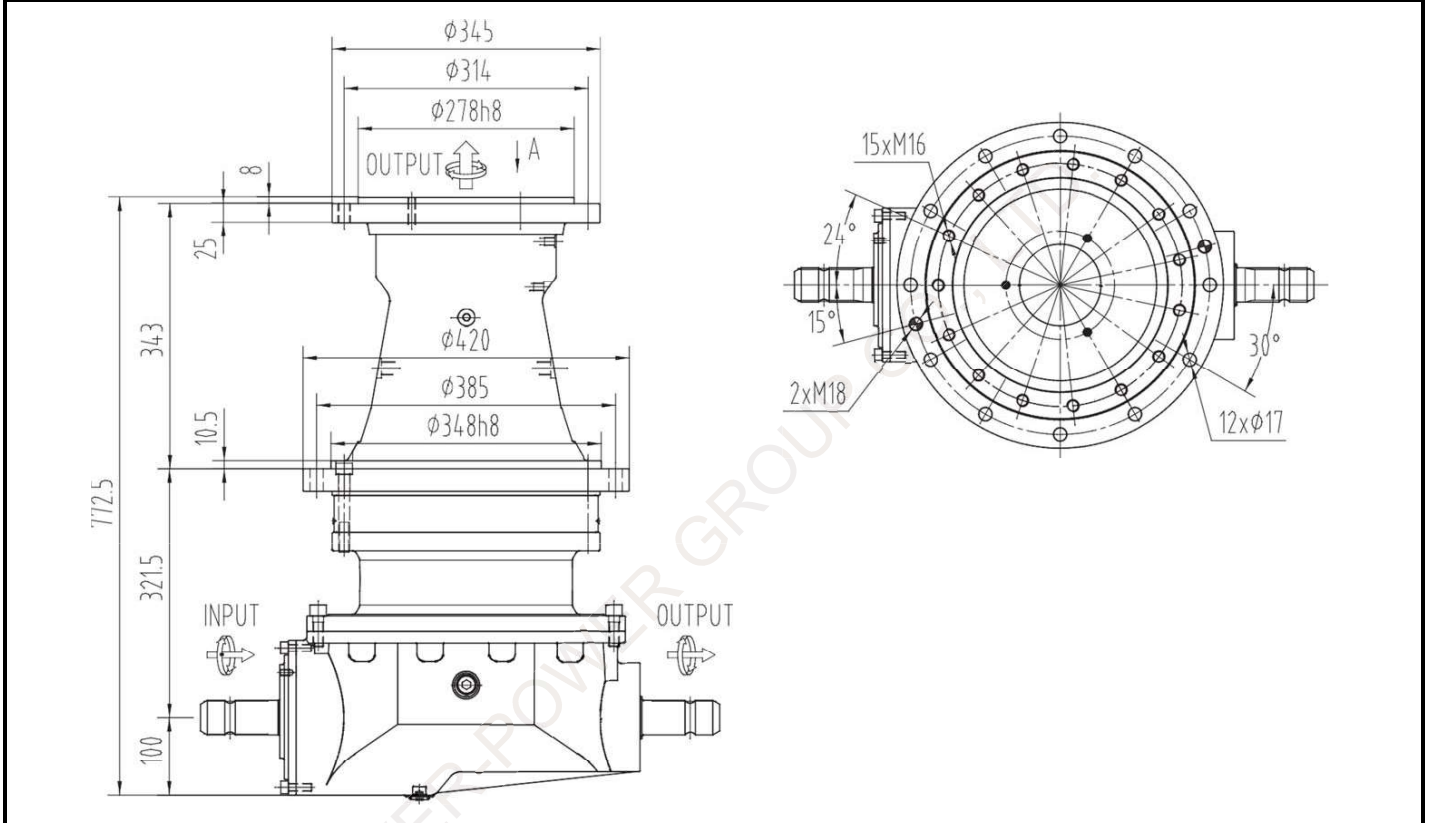
EPGo6



额定输出扭矩 CONTINUOUS TORQUE(Nm)	最大输出扭矩 MAX. TORQUE(Nm)	传动比 TRANSMISSION RATIO	最大输入转速 MAX. INPUT SPEED(rpm)	PTO 连接方式 PTO SHAFTS
25,000	50,000	8.2/9.6/15/17.7 /29.2/34.3	1,000	single/double 1 3/4 z20
30,000	68,000	8.2/9.6/15/17.7 /29.2/34.3	1,000	single/double 1 3/4 z20

GEARBOX FOR TMR MIXER or Biogas Plant Mixer

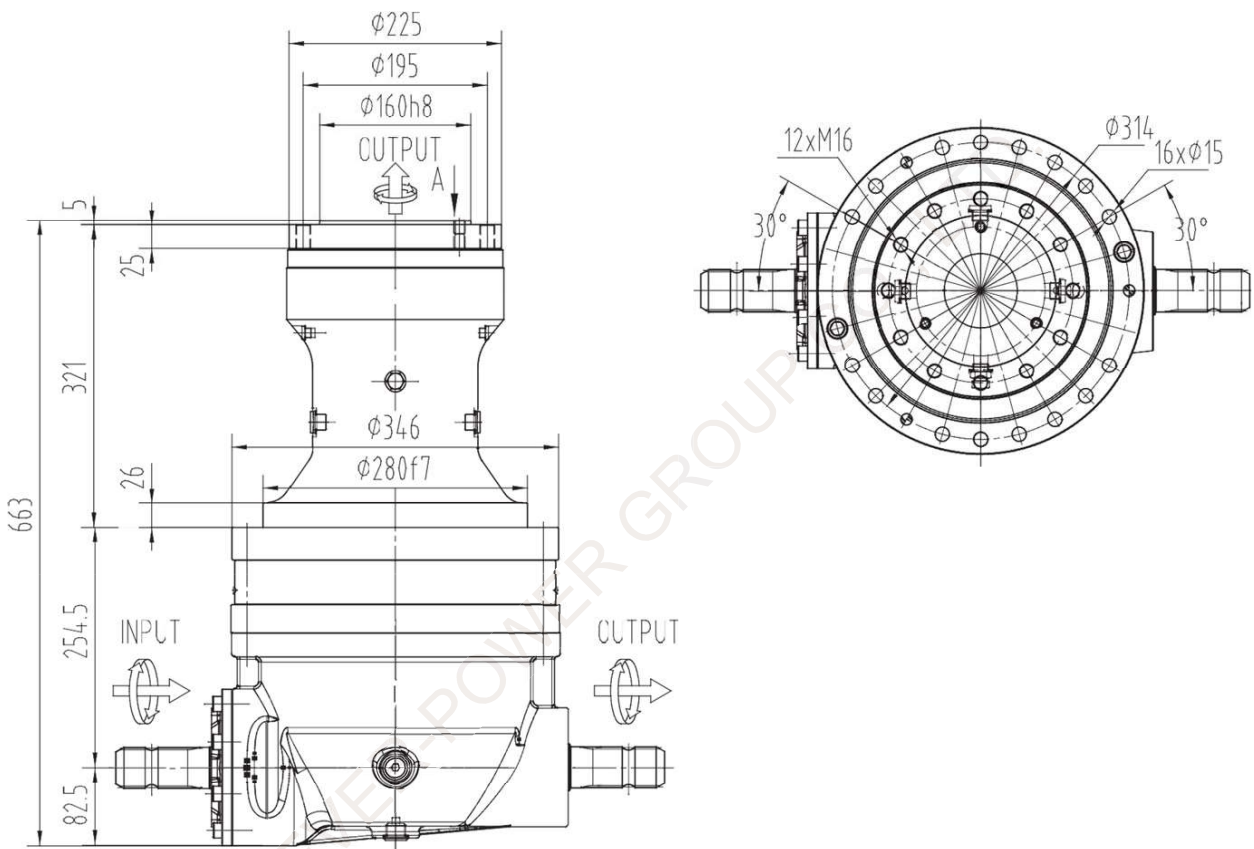
EPGo1



额定输出扭矩 CONTINUOUS TORQUE(Nm)	最大输出扭矩MAX. TORQUE(Nm)	传动比 TRANSMISSION RATIO	最大输入转速MAX. INPUT SPEED(rpm)	PTO 连接方式 PTO SHAFTS
18,000	30,000	6 - 90.46	1,000	single/double 1"3/4 z20
22,000	36,000	6 - 90.46	1,000	single/double 1"3/4 z20

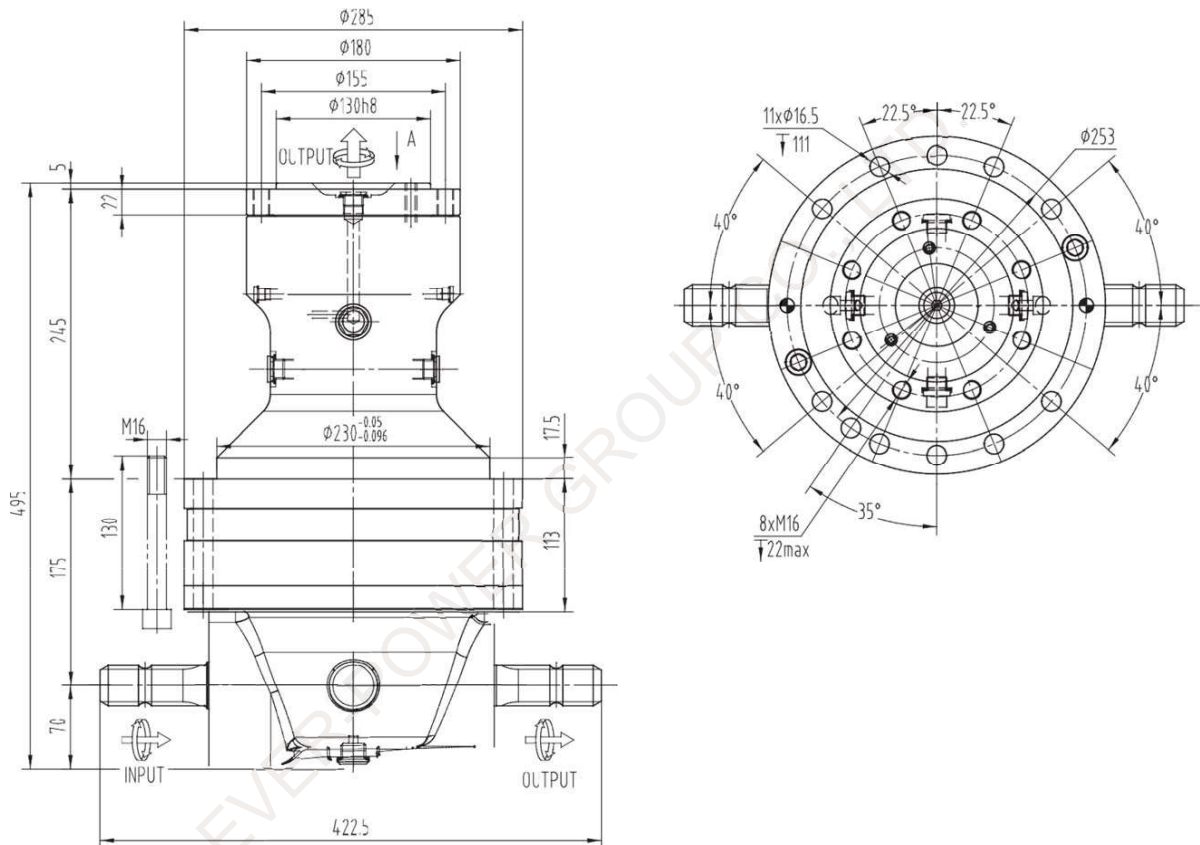
GEARBOX FOR TMR MIXER

EPG05



额定输出扭矩 CONTINUOUS TORQUE(Nm)	最大输出扭矩MAX. TORQUE(Nm)	传动比 TRANSMISSION RATIO	输入转速INPUT SPEED(rpm)	PTO 连接方式 PTO SHAFTS
12,000	30,000	10.22/11.02/11.14/1 2.32/13.90/16.10/19 .41/36.35/39.19/39. 61/43.81/49.41/57.2 4/69.00	540	1" 3/4 z20

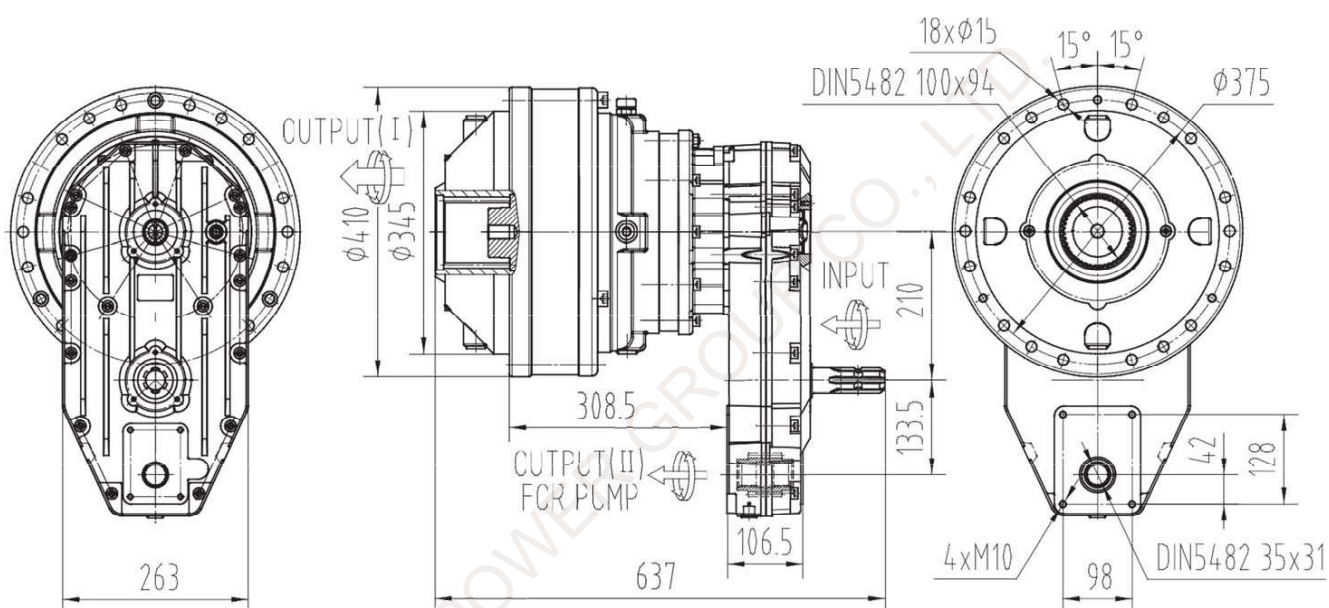
GEARBOX FOR TMR MIXER EPGo8



额定输出扭矩 CONTINUOUS TORQUE(Nm)	最大输出扭矩MAX. TORQUE(Nm)	传动比 TRANSMISSION RATIO	输入转速INPUT SPEED(rpm)	PTO 连接方式 PTO SHAFTS
5,000	9,000	13.76	540	1" 3/8 z6

GEARBOX FOR TMR MIXER

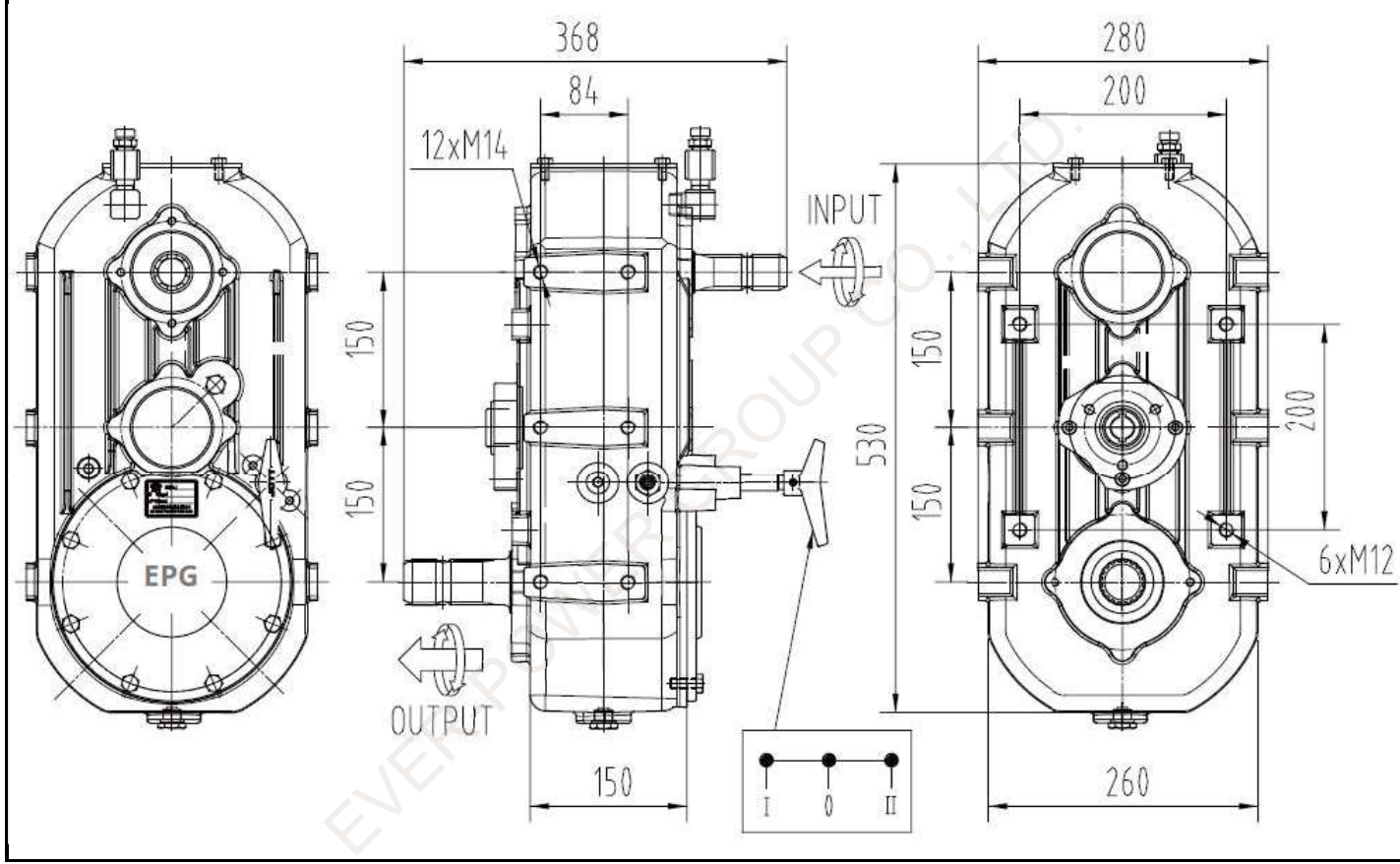
EPGo3



额定输出扭矩 CONTINUOUS TORQUE(Nm)	最大输出扭矩 MAX. TORQUE(Nm)	传动比TRANSMISSION RATIO		输入转速INPUT SPEED(rpm)	PTO 连接方式 PTO SHAFTS
30,000	50,000	I	16.70/21.70 /24.86/32.31	540	1" 3/8 z6
		II	1:3.68		

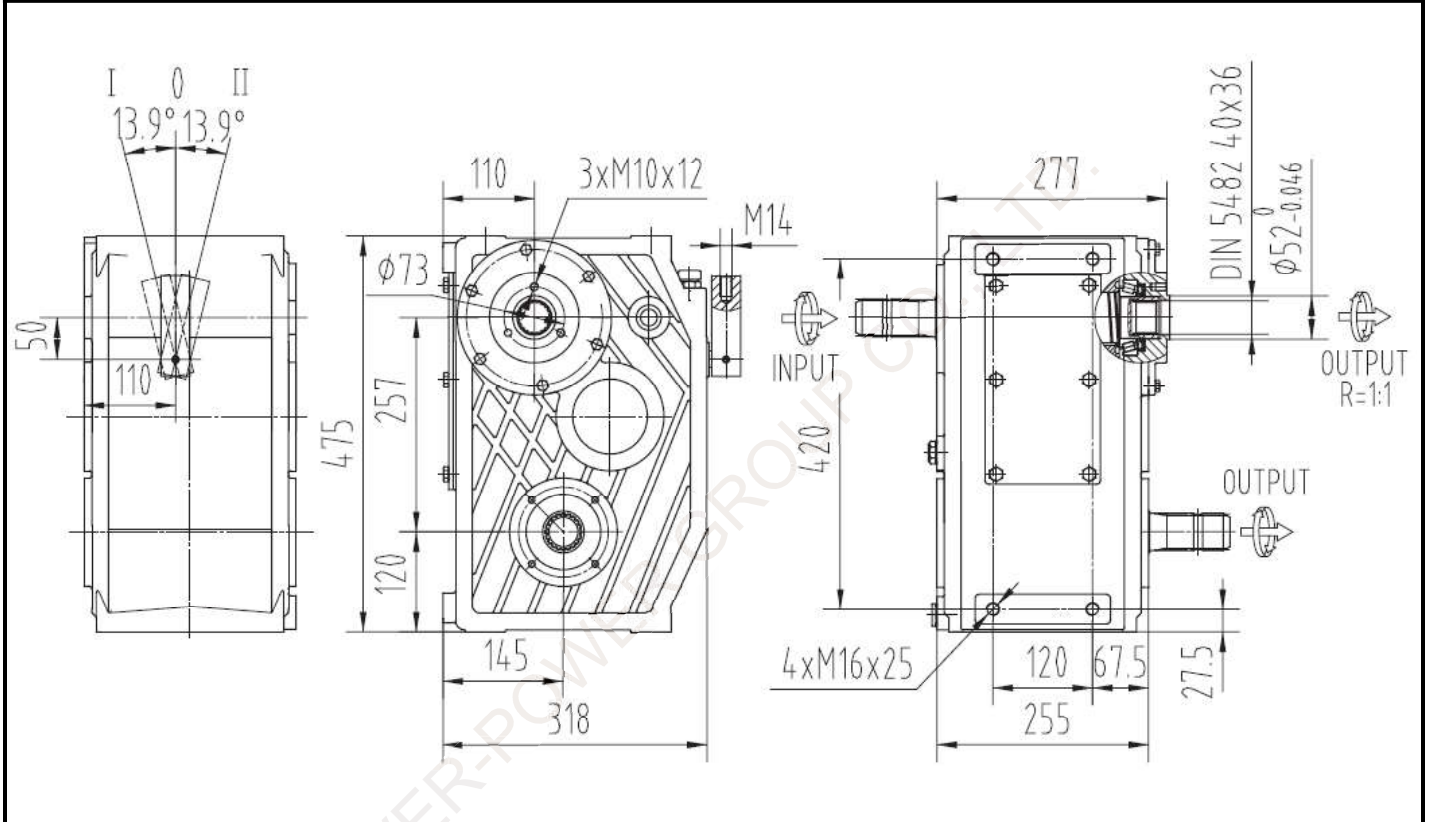
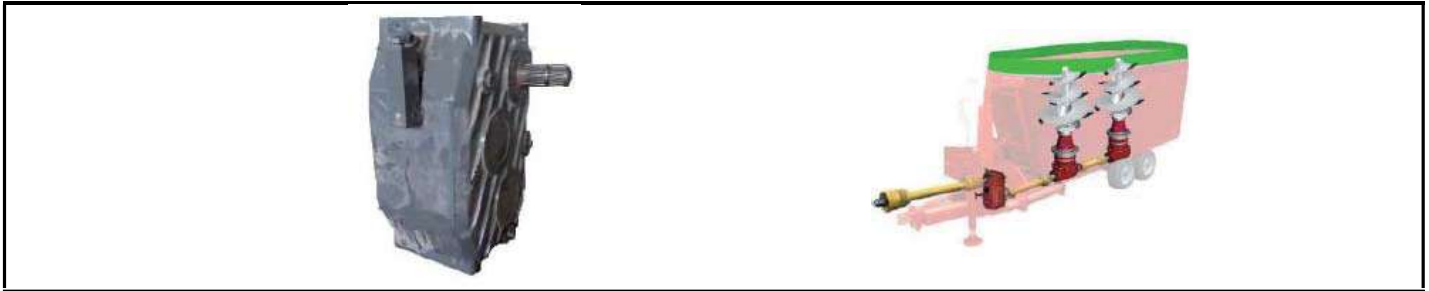
GEARBOX FOR TMR MIXER

EPGo2



额定输出扭矩 CONTINUOUS TORQUE(Nm)	最大输出扭矩MAX. TORQUE(Nm)	传动比TRANSMISSION RATIO		输入转速INPUT SPEED(rpm)	PTO 连接方式 PTO SHAFTS
1,500	2,500	I	1:1	1,000	1"3/4 z20 & 1" 3/8 z6
		0	0		
		II	1.4/1.5 /1.8/1.9/2.4		

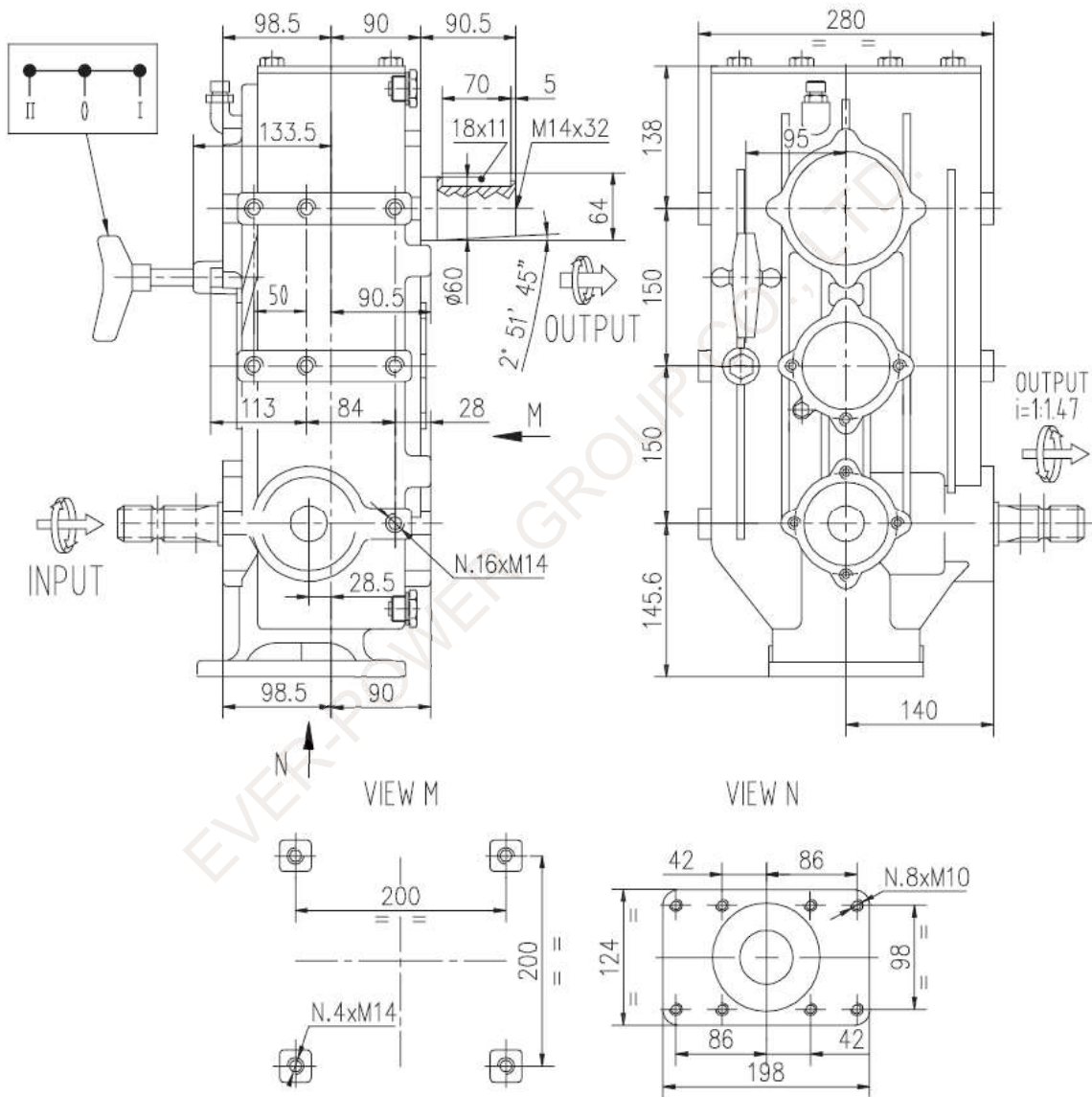
GEARBOX FOR TMR MIXER
EPGo7



额定输出扭矩 CONTINUOUS TORQUE(Nm)	最大输出扭矩MAX. TORQUE(Nm)	传动比TRANSMISSION RATIO		输入转速INPUT SPEED(rpm)	PTO 连接方式 PTO SHAFTS
3,000	5,000	I	1.28/1.5 /1.8/3.2	1,000	1"3/4 z20
		0	0		
		II	1:1		

GEARBOX FOR Pasture blowing machine

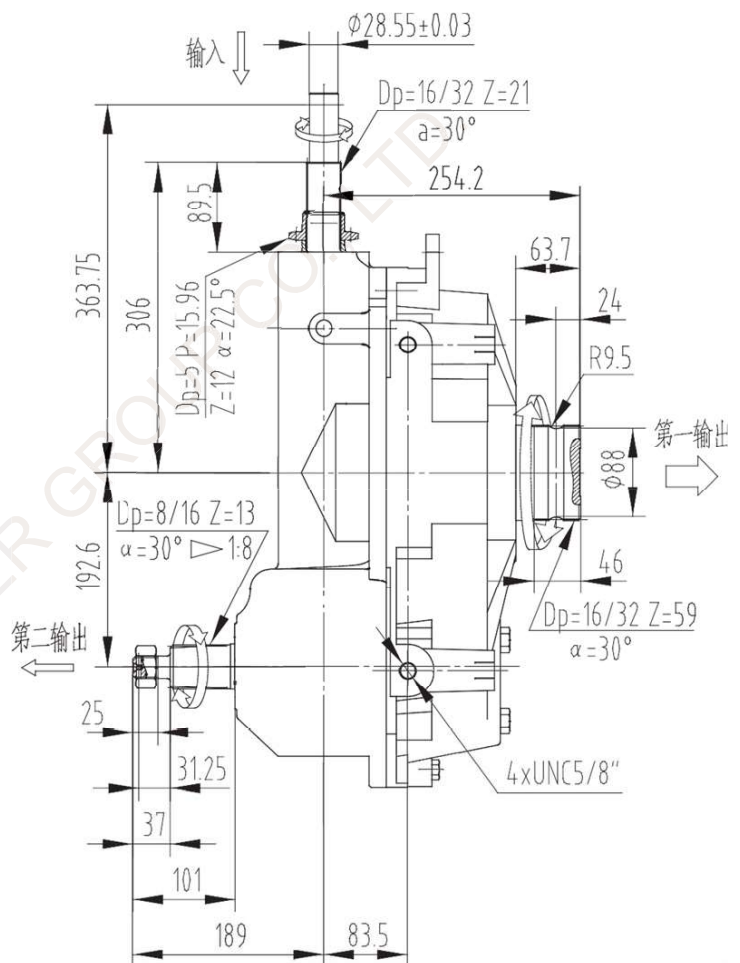
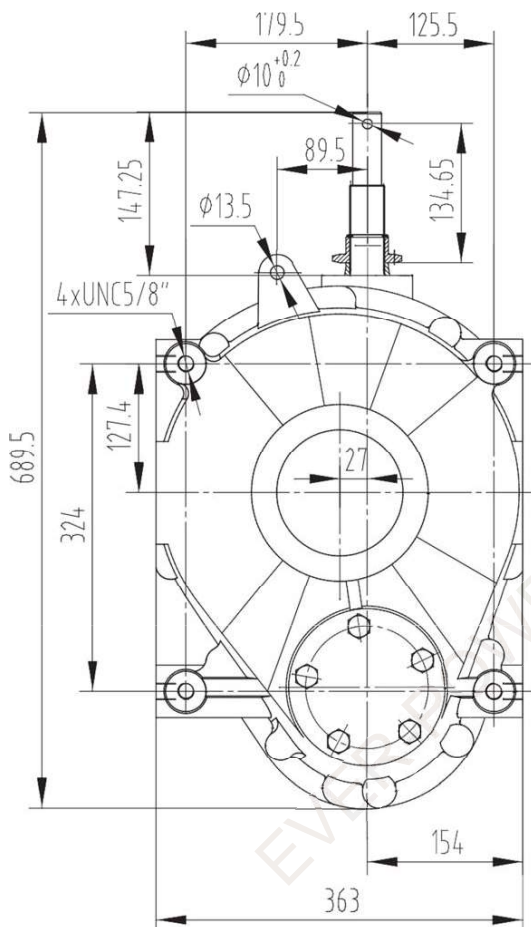
EPGo4



额定输出扭矩 CONTINUOUS TORQUE(Nm)	最大输出扭矩MAX. TORQUE(Nm)	传动比TRANSMISSION RATIO		输入转速INPUT SPEED(rpm)	PTO 连接方式 PTO SHAFTS
1,500	2,500	I	1:1	540	1" 3/8 z6
		0	0		
		II	1.85/1.98		

GEARBOX FOR Hay baling baler

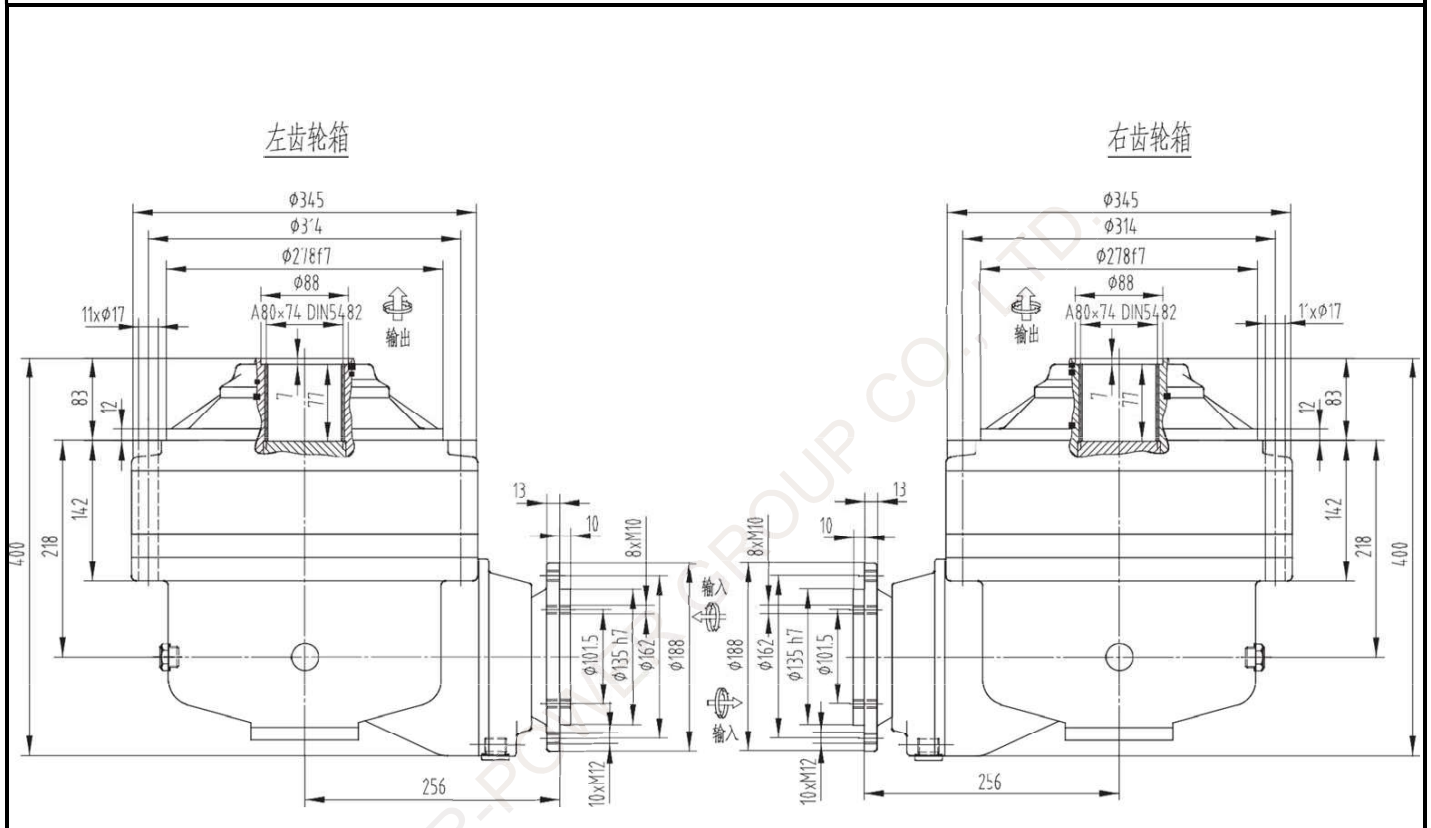
EPG100



功率 POWER(HP)	传动比 TRANSMISSION RATIO	额定输出扭矩 CONTINUOUS TORQUE(Nm)	最大输出扭矩 MAX. TORQUE(Nm)	输入转速 INPUT SPEED(rpm)
50	I	6.87:1/5.83:1	3,600	540
	II	1.15:1	600	

GEARBOX FOR TMR MIXER

EPG15



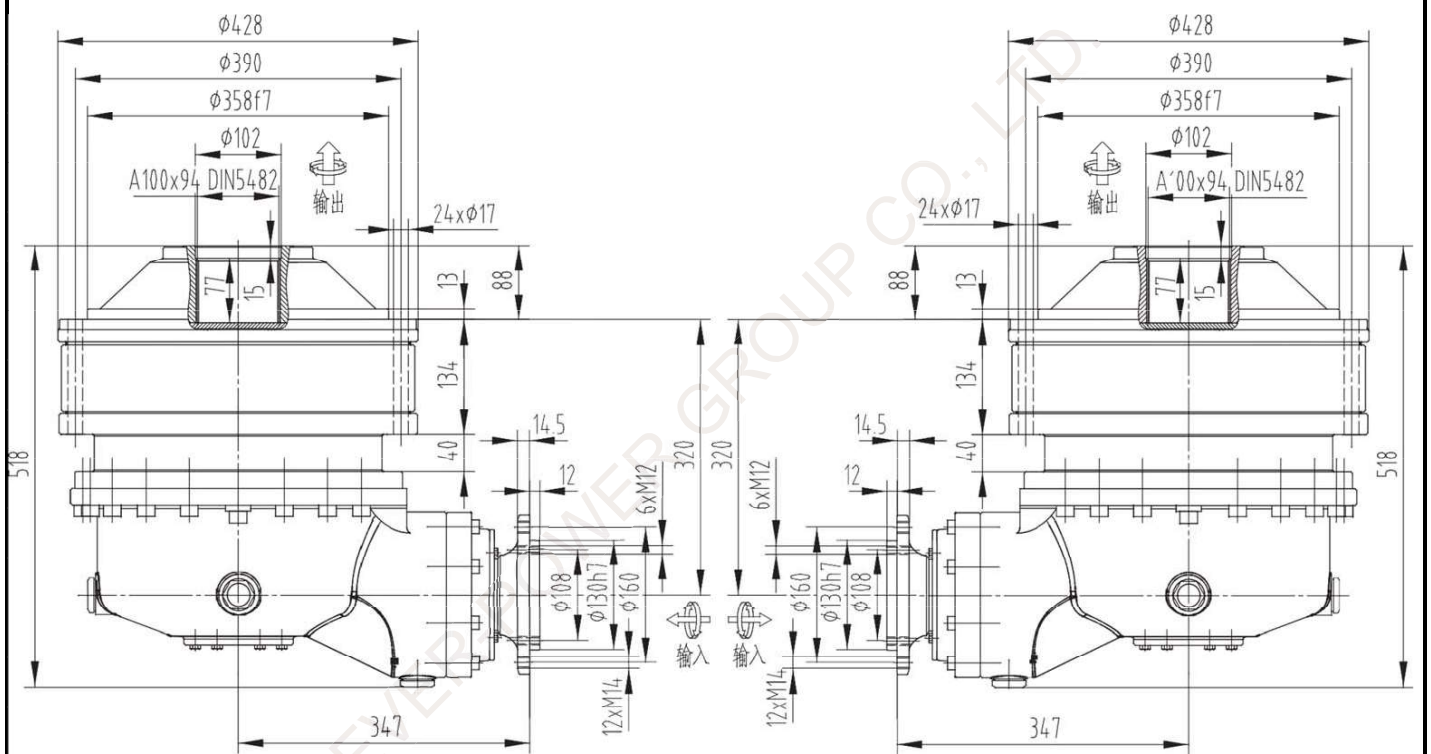
搅拌机容积 MIXER CAPACITY(m3)	额定输出扭矩 CONTINUOUS TORQUE(Nm)	最大输出扭矩MAX. TORQUE(Nm)	传动比TRANSMISSION RATIO	最大输入转速MAX. INPUT SPEED(rpm)
1-1.5	18,000	27,000	23.5:1	1,000

GEARBOX FOR TMR MIXER EPG30



左齿轮箱

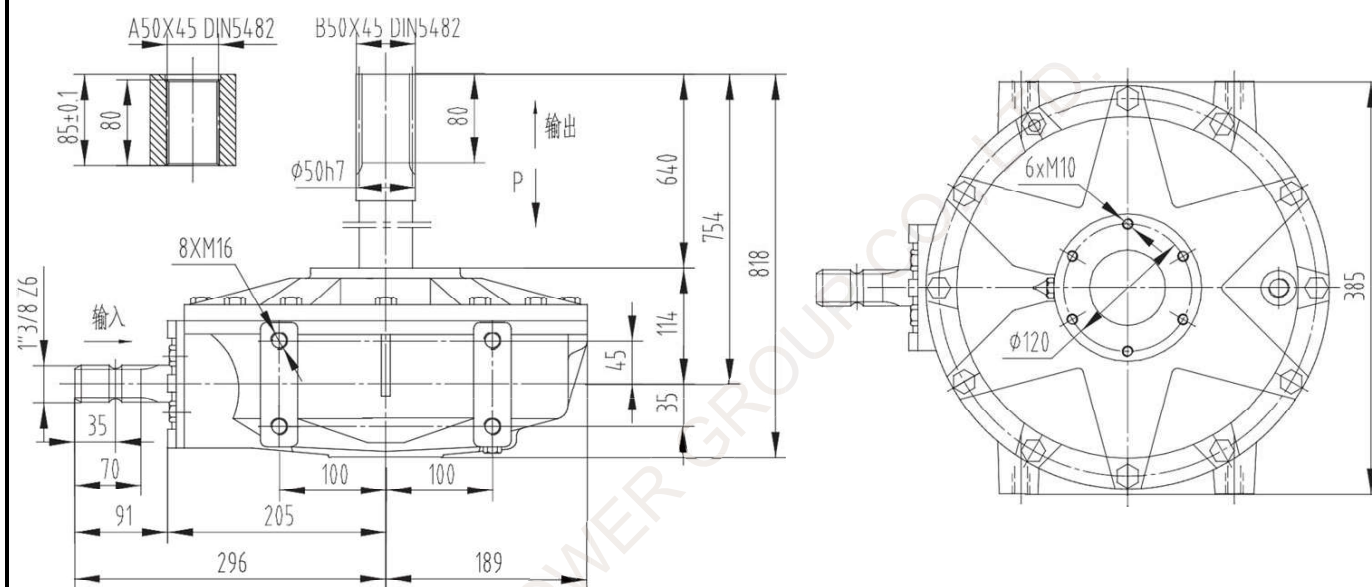
右齿轮箱



搅拌机容积 MIXER CAPACITY(m3)	额定输出扭矩 CONTINUOUS TORQUE(Nm)	最大输出扭矩MAX. TORQUE(Nm)	传动比TRANSMISSION RATIO	最大输入转速MAX. INPUT SPEED(rpm)
2-3	40,000	54,000	27:1	1,000

GEARBOX FOR TMR MIXER

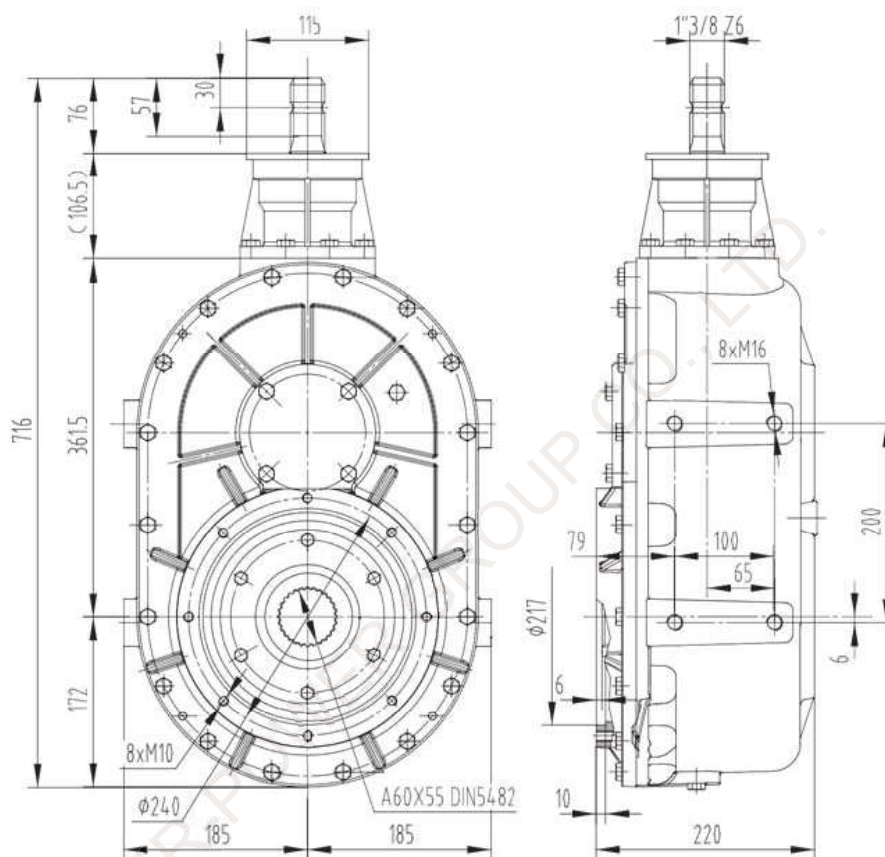
EPG26



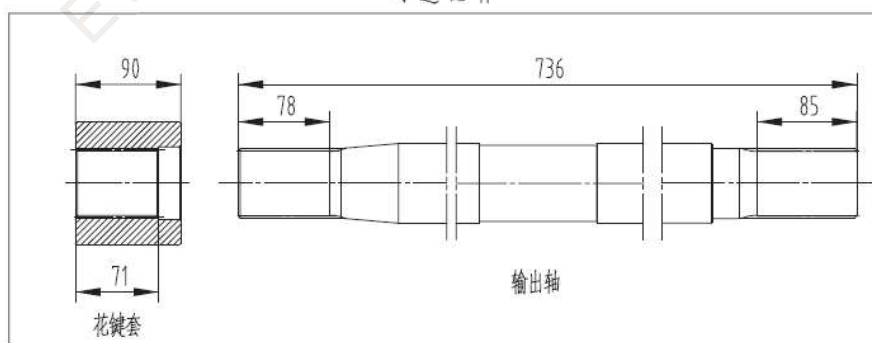
功率 POWER(HP)	额定输出扭矩 CONTINUOUS TORQUE(Nm)	最大输出扭矩 MAX. TORQUE(Nm)	传动比 TRANSMISSION RATIO	输入转速INPUT SPEED(rpm)	PTO 连接方式 PTO SHAFTS
26	2,600	4,500	7.75:1	540	1" 3/8 z6

GEARBOX FOR TMR MIXER

EPG75



可选配件



功率 POWER(HP)	额定输出扭矩 CONTINUOUS TORQUE(Nm)	最大输出扭矩 MAX. TORQUE(Nm)	传动比 TRANSMISSION RATIO	输入转速INPUT SPEED(rpm)	PTO 连接方式 PTO SHAFTS
75	10,500	15,000	10.8:1	540	1" 3/8 z6

收获机械齿轮箱 Harvest Machinery Gearbox

S系列机械驱动前桥总成 S Series Mechanical Drive Front Axle Assembly

图号/CODE	8-12吨收获机械前桥总成 (带后驱)	
		
输入转速/Input Speed	850 ~ 2050rpm	
扭矩容量/Torque	800Nm	
发动机最大功率/Max Engine Power	150HP	
速比/Gear Ratio	I 档:29.3、II 档:14.62、III 档:7.29、IV 档:3.64、倒档:12.93	
末级传动速比/Final Drive Ratio	7.73	
无极变速传动比/Variable Speed Drive Ratio	0.7-1.26	
外形尺寸/Outline Dimension	变速箱	1280x700x460mm
	末端	520x500x450mm
重量/Weight	变速箱	340Kg
	末端	162Kg

收获机械齿轮箱 Harvest Machinery Gearbox

S系列机械驱动前桥总成 S Series Mechanical Drive Front Axle Assembly

图号/CODE	8-12吨收获机械前桥总成 (发动机双端动力输出, 可选配带后驱)	
		
输入转速/Input Speed	850 ~ 2050rpm	
扭矩容量/Torque	800Nm	
发动机最大功率/Max Engine Power	150HP	
速比/Gear Ratio	I 档:29.3、II 档:14.62、III 档:7.29、IV 档:3.64、倒档:12.93	
末级传动速比/Final Drive Ratio	4.23	
无极变速传动比/Variable Speed Drive Ratio	0.7-1.26	
外形尺寸/Outline Dimension	变速箱	1280x700x460mm
	末端	450x460x410mm
重量/Weight	变速箱	340Kg
	末端	145Kg


收获机械齿轮箱 Harvest Machinery Gearbox

S系列机械驱动前桥总成 S Series Mechanical Drive Front Axle Assembly

图号/CODE	12-15吨收获机械前桥总成 (可选配带后驱)	
		
输入转速/Input Speed	850 ~ 2050rpm	
扭矩容量/Torque	800Nm	
发动机最大功率/Max Engine Power	210HP	
速比/Gear Ratio	I 档:29.3、II 档:14.62、III 档:7.29、IV 档:3.64、倒档:12.93	
末级传动速比/Final Drive Ratio	7.73	
无极变速传动比/Variable Speed Drive Ratio	0.7-1.26	
外形尺寸/Outline Dimension	变速箱	1280x700x460mm
	末端	520x500x450mm
重量/Weight	变速箱	340Kg
	末端	210Kg

收获机械齿轮箱 Harvest Machinery Gearbox

3YZ系列机械驱动前桥总成 3YZ Series Mechanical Drive Front Axle Assembly

图号/CODE	6-8吨收获机械前桥总成 (机械制动, 不带无极增扭, 可选配带后驱)	
		
输入转速/Input Speed	850 ~ 2200rpm	
扭矩容量/Torque	520Nm	
发动机最大功率/Max Engine Power	120HP	
速比/Gear Ratio	I 档:24.92、II 档:11.07、III 档:4.33、倒档:7.9	
末级传动速比/Final Drive Ratio	5.41	
无极变速传动比/Variable Speed Drive Ratio		
外形尺寸/Outline Dimension	变速箱	730x620x410mm
	末端	380x400x410mm
重量/Weight	变速箱	260Kg
	末端	120Kg

收获机械齿轮箱 Harvest Machinery Gearbox

3YZ系列机械驱动前桥总成 3YZ Series Mechanical Drive Front Axle Assembly

图号/CODE	6-8吨收获机械前桥总成 (机械制动, 可选配带后驱)	
		
输入转速/Input Speed	850 ~ 2200rpm	
扭矩容量/Torque	520Nm	
发动机最大功率/Max Engine Power	120HP	
速比/Gear Ratio	I 档:24.92、II 档:11.07、III 档:4.33、倒档:7.9	
末级传动速比/Final Drive Ratio	5.41	
无极变速传动比/Variable Speed Drive Ratio	0.7-1.26	
外形尺寸/Outline Dimension	变速箱	1120x620x410mm
	末端	380x400x410mm
重量/Weight	变速箱	280Kg
	末端	120Kg

收获机械齿轮箱 Harvest Machinery Gearbox

3YZ系列机械驱动前桥总成 3YZ Series Mechanical Drive Front Axle Assembly

图号/CODE	6-8吨收获机械前桥总成 (液压制动, 可选配带后驱)	
		
输入转速/Input Speed	850 ~ 2200rpm	
扭矩容量/Torque	520Nm	
发动机最大功率/Max Engine Power	120HP	
速比/Gear Ratio	I 档:24.92、II 档:11.07、III 档:4.33、倒档:7.9	
末级传动速比/Final Drive Ratio	5.41	
无极变速传动比/Variable Speed Drive Ratio	0.7-1.26	
外形尺寸/Outline Dimension	变速箱	1120x620x410mm
	末端	380x400x410mm
重量/Weight	变速箱	280Kg
	末端	120Kg

收获机械齿轮箱 Harvest Machinery Gearbox

液压驱动前桥总成 Hydraulic Drive Front Axle Assembly

图号/CODE		6-8吨收获机械前桥总成
		
输入转速/Input Speed		850 ~ 2200rpm
发动机最大功率/Max Engine Power		120HP
速比/Gear Ratio		I 档:24.92、II 档:11.07、III 档:4.33
末级传动速比/Final Drive Ratio		5.41
外形尺寸/Outline Dimension	变速箱	850x620x410mm
	末端	380x400x410mm
重量/Weight	变速箱	280Kg
	末端	120Kg

收获机械齿轮箱 Harvest Machinery Gearbox

液压驱动前桥总成 Hydraulic Drive Front Axle Assembly

图号/CODE	8-12吨收获机械前桥总成	
		
输入转速/Input Speed	850 ~ 2200rpm	
发动机最大功率/Max Engine Power	150HP	
速比/Gear Ratio	I 档:29.3、II 档:14.62、III 档:7.29、IV 档:3.64	
末级传动速比/Final Drive Ratio	7.73	
外形尺寸/Outline Dimension	变速箱	900x700x460mm
	末端	520x500x450mm
重量/Weight	变速箱	200Kg
	末端	162Kg

收获机械齿轮箱 Harvest Machinery Gearbox

液压驱动前桥总成 Hydraulic Drive Front Axle Assembly

图号/CODE	12-15吨收获机械前桥总成 (三档)	
		
输入转速/Input Speed	850 ~ 2200rpm	
发动机最大功率/Max Engine Power	210HP	
速比/Gear Ratio	I 档12.15、II档:10.03、III档:3.35	
末级传动速比/Final Drive Ratio	7.73	
外形尺寸/Outline Dimension	变速箱	900x700x460mm
	末端	530x510x450mm
重量/Weight	变速箱	200Kg
	末端	210Kg

收获机械齿轮箱 Harvest Machinery Gearbox

液压驱动前桥总成 Hydraulic Drive Front Axle Assembly

图号/CODE	12-15吨收获机械前桥总成 (四档)	
		
输入转速/Input Speed	850 ~ 2200rpm	
发动机最大功率/Max Engine Power	210HP	
速比/Gear Ratio	I 档:29.3、II 档:14.62、III 档:7.29、IV 档:3.64	
末级传动速比/Final Drive Ratio	7.73	
外形尺寸/Outline Dimension	变速箱	900x700x460mm
	末端	530x510x450mm
重量/Weight	变速箱	200Kg
	末端	210Kg

收获机械齿轮箱 Harvest Machinery Gearbox

XD2系列机械驱动前桥总成 XD2 Series Mechanical Drive Front Axle Assembly

图号/CODE	5-6吨收获机械前桥总成 (二驱)	
		
输入转速/Input Speed	850 ~ 2200rpm	
扭矩容量/Torque	450Nm	
发动机最大功率/Max Engine Power	125HP	
速比/Gear Ratio	I 档:21.53、II档:7.85、III档:3.63、倒档:9.27	
末级传动速比/Final Drive Ratio	5.41	
无极变速传动比/Variable Speed Drive Ratio	0.7-1.26	
外形尺寸/Outline Dimension	变速箱	750x600x450mm
	末端	380x400x410mm
重量/Weight	变速箱	160Kg
	末端	120Kg

收获机械齿轮箱 Harvest Machinery Gearbox

XD2系列机械驱动前桥总成 XD2 Series Mechanical Drive Front Axle Assembly

图号/CODE	5-6吨收获机械前桥总成 (四驱)	
		
输入转速/Input Speed	850 ~ 2200rpm	
扭矩容量/Torque	450Nm	
发动机最大功率/Max Engine Power	125HP	
速比/Gear Ratio	I 档:21.53、II 档:7.85、III 档:3.63、倒档:9.27	
末级传动速比/Final Drive Ratio	5.41	
无极变速传动比/Variable Speed Drive Ratio	0.7-1.26	
外形尺寸/Outline Dimension	变速箱	750x600x450mm
	末端	380x400x410mm
重量/Weight	变速箱	160Kg
	末端	120Kg

收获机械齿轮箱 Harvest Machinery Gearbox

液压驱动轮边减速箱 Hydraulic Drive Hub Reduction Gearbox

图号/CODE	S03系列	
		
输入功率/Input Power	210HP	
减速比	18.60	
重量/Weight	310Kg	



EP6001



EP6002

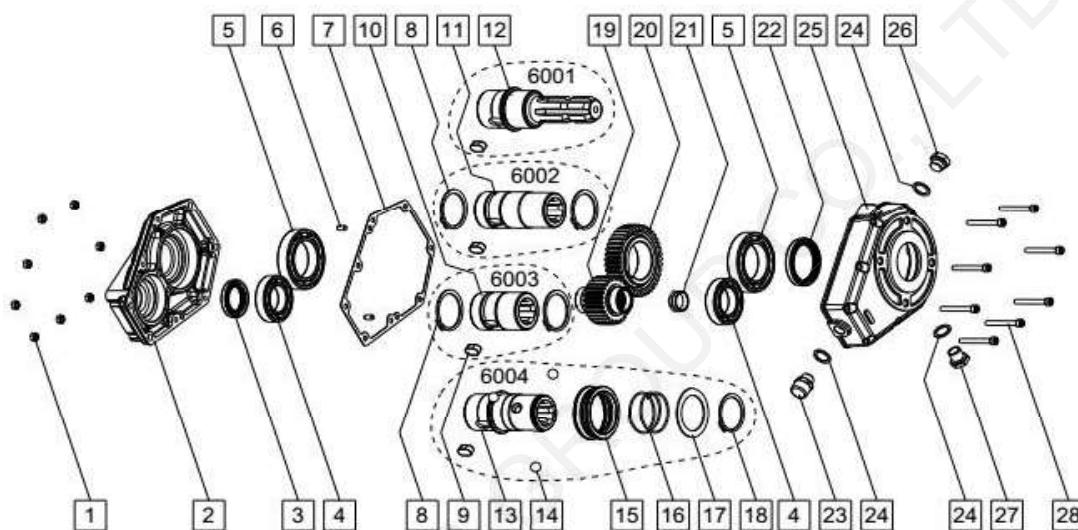


EP6003



EP6004

Spare parts:

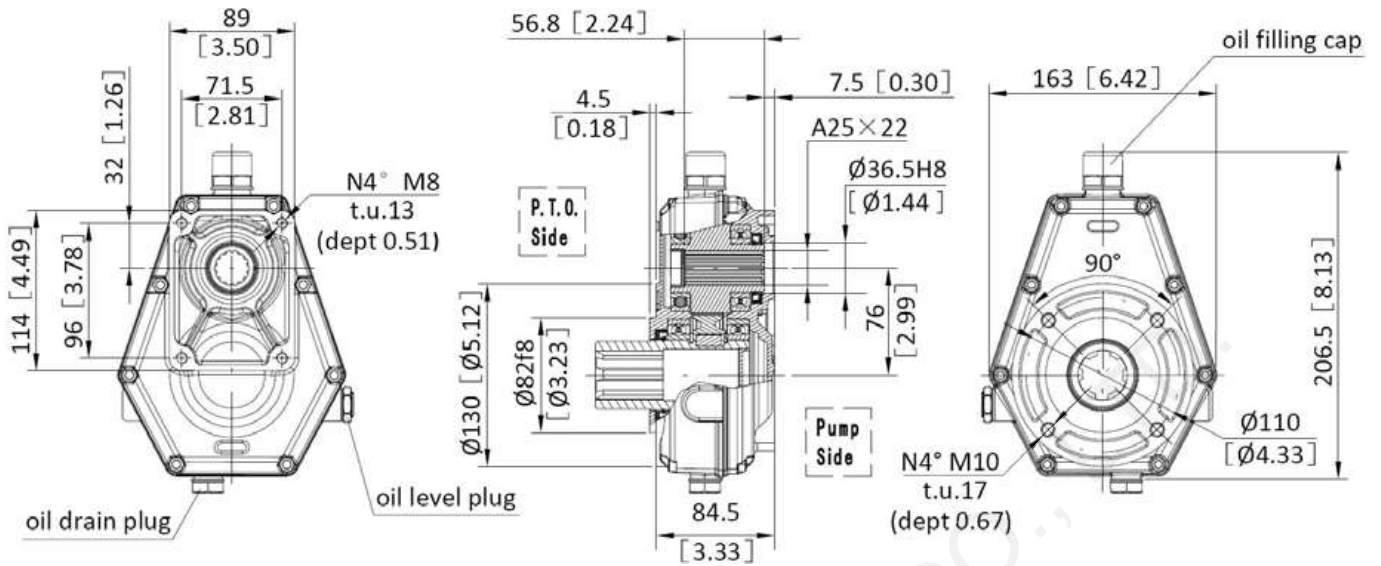


No.	Description	Quantity	No.	Description	Quantity
1	Nut M6	8	15	Spring ring	1
2	Cover	1	16	Spring	1
3	Sealing ring $\phi 35 \times 52 \times 7$	1	17	Ring	1
4	Bearing type 6007	2	18	Snap ring 48	1
5	Bearing type 6010	2	19	Pinion gear	1
6	Peg 6×12	2	20	Ring gear	1
7	Gasket	1	21	Cap DIN 470 $\phi 27$	1
8	Snap ring dia.50	2	22	Sealing ring $\phi 50 \times 65 \times 8$	1
9	Key 12×8	1	23	Oil filling cap 3/8"	1
10	Female 1 3/8" DIN 9611 short	1	24	Gasket	3
11	Female 1 3/8" DIN 9611	1	25	Housing	1
12	Male 1 3/8" DIN 9611	1	26	Oil drain plug 3/8"	1
13	Female 1 3/8" DIN 9611 + tightening	1	27	Oil level plug 3/8"	1
14	Ball	3	28	Socket capscrew M6 \times 50	8

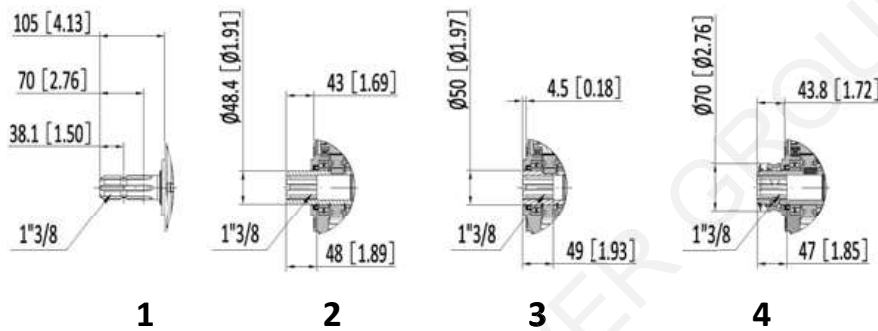
Technical sheet:

Input torque (Nm)	Output torque (Nm)	Input speed (r/min)	Transmission ratio	Output speed (r/min)	Power (Kw)	Weight (Kg)
178	119	540	1.5	810	10	5.8
152	76	540	2	1080	10	5.8
165	66	540	2.5	1350	10	5.8
180	55	540	3	1680	10	5.8
186	58	540	3.5	1836	10	5.8
159	42	540	3.8	2052	10	5.8

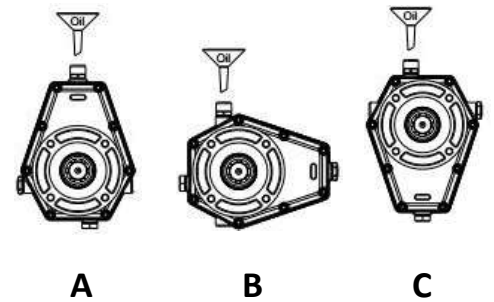
Three views:



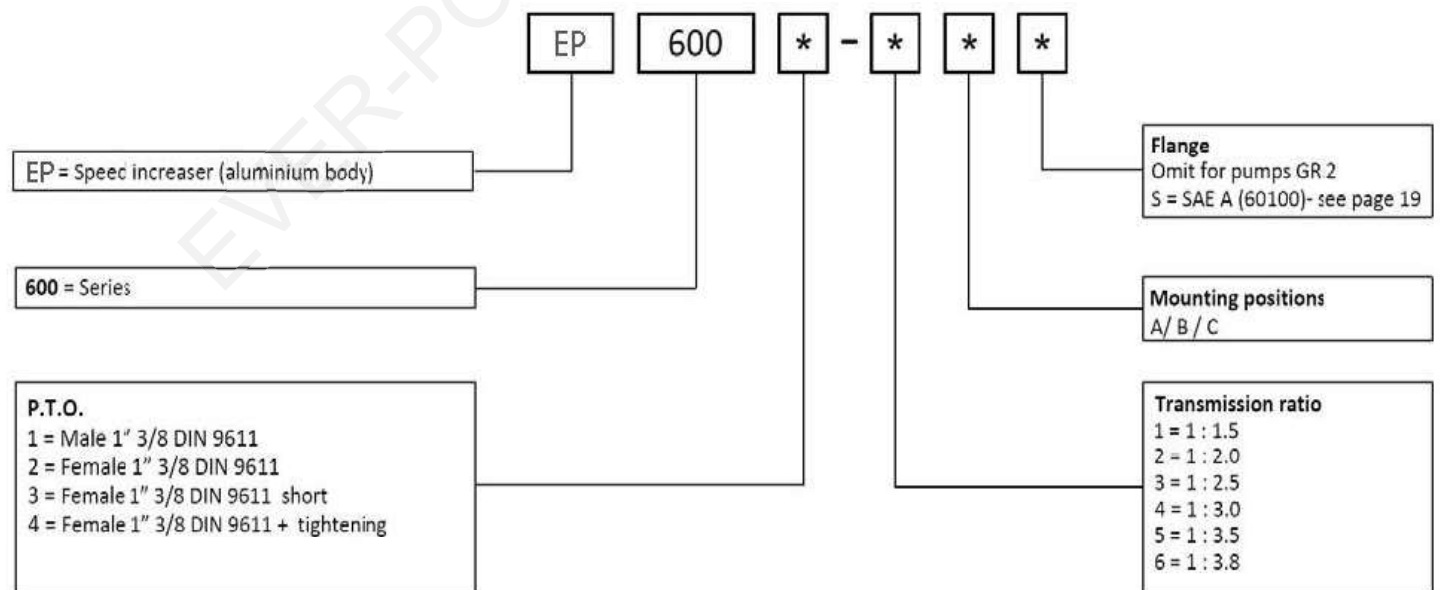
P.T.O.



Mounting positions



How to order:



For example: EP6001-1AS



EP6101H0

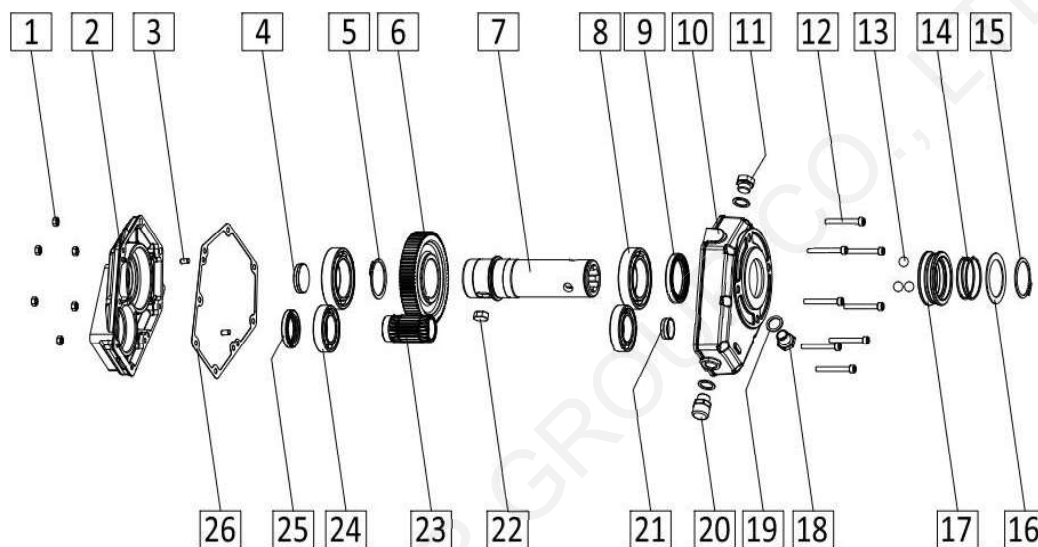


EP6105P1



EP6106H0

Spare parts:

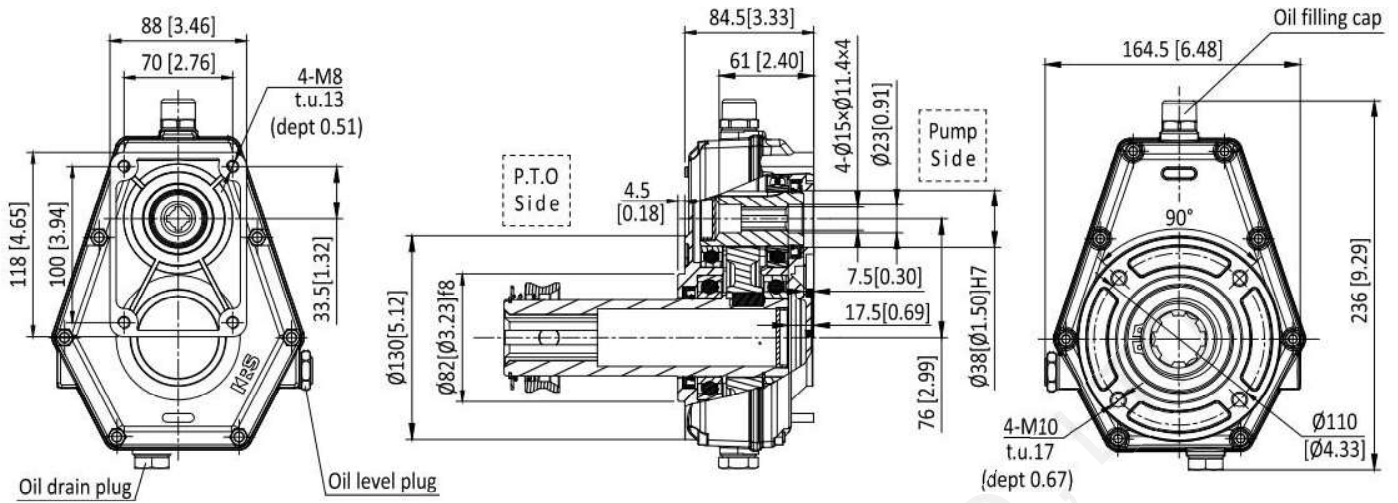


No.	Description	Quantity	No.	Description	Quantity
1	Nut M6	8	14	Spring	1
2	Cover	1	15	Snap ring	1
3	Peg 6×12	2	16	Ring	1
4	Cap DIN 470 φ37	2	17	Spring ring	1
5	Snap ring dia.50	2	18	Oil level plug 3/8"	1
6	Ring gear	2	19	Gasket	3
7	Shaft	1	20	Oil filling cap 3/8"	1
8	Bearing type 6010	2	21	Cap DIN 470 φ27	1
9	Sealing ring φ50×65×8	1	22	Key 12×8	1
10	Housing	1	23	Pinion gear	1
11	Oil drain plug 3/8"	1	24	Bearing type 6007	2
12	Socket cap screw M6×50	6	25	Sealing ring φ35×52×7	1
13	Ball	3	26	Gasket	1

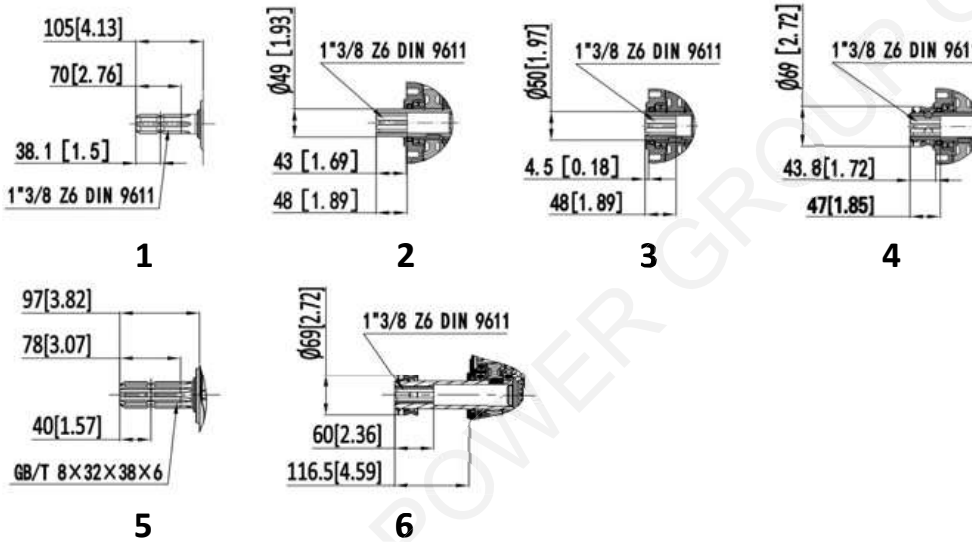
Technical sheet:

Input torque (Nm)	Output torque (Nm)	Input speed (r/min)	Transmission ratio	Output speed (r/min)	Power (Kw)	Weight (Kg)
178	119	540	1.5	810	10	5.8
152	76	540	2	1080	10	5.8
165	66	540	2.5	1350	10	5.8
180	55	540	3	1680	10	5.8
186	58	540	3.5	1836	10	5.8
159	42	540	3.8	2052	10	5.8

Three views:



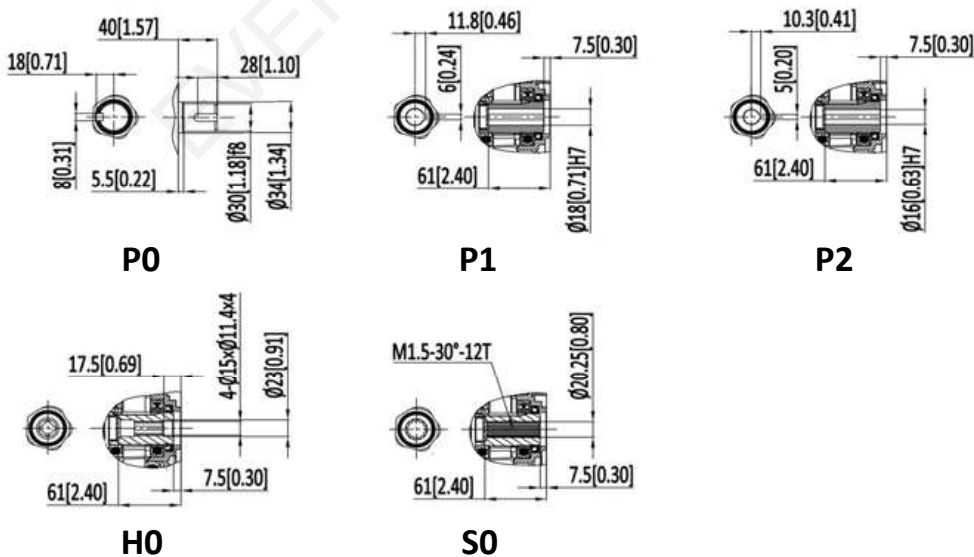
Input shaft



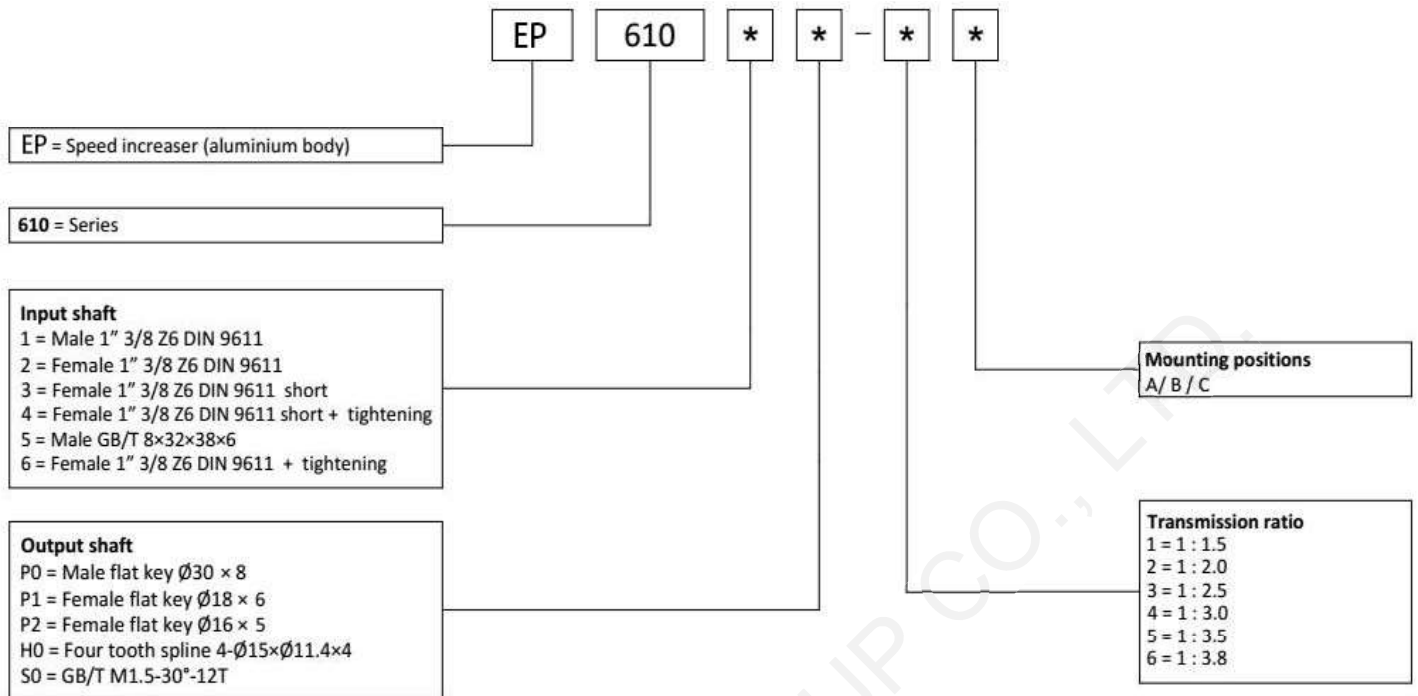
Mounting positions



Output shaft



How to order:



For example: EP6101P0-1A

Remark : We accept non-standard customization , if you have other different shafts , please contact us .



EP7001



EP7002

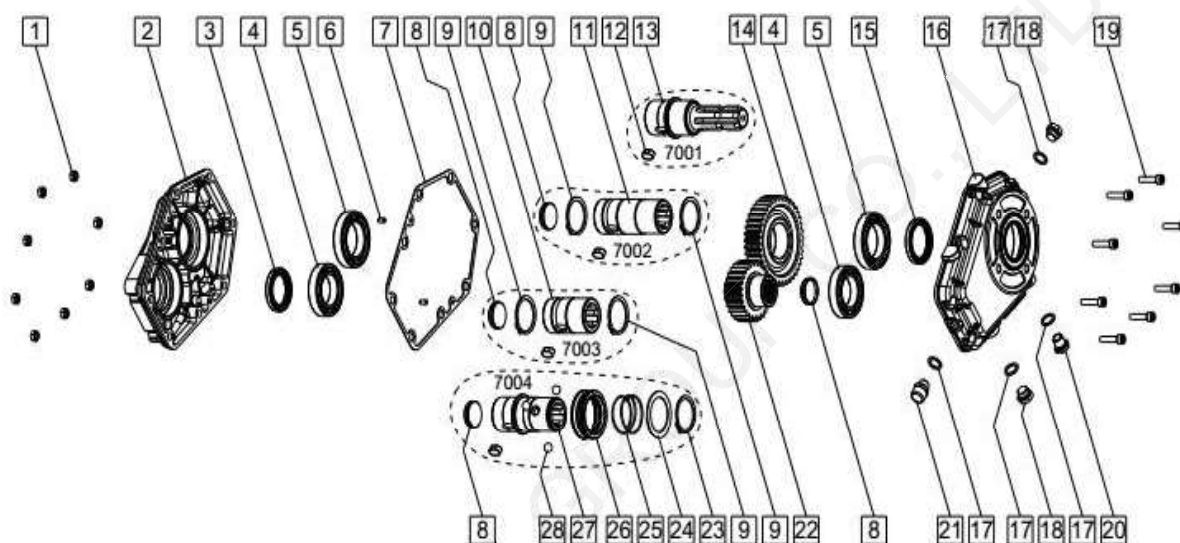


EP7003



EP7004

Spare parts:

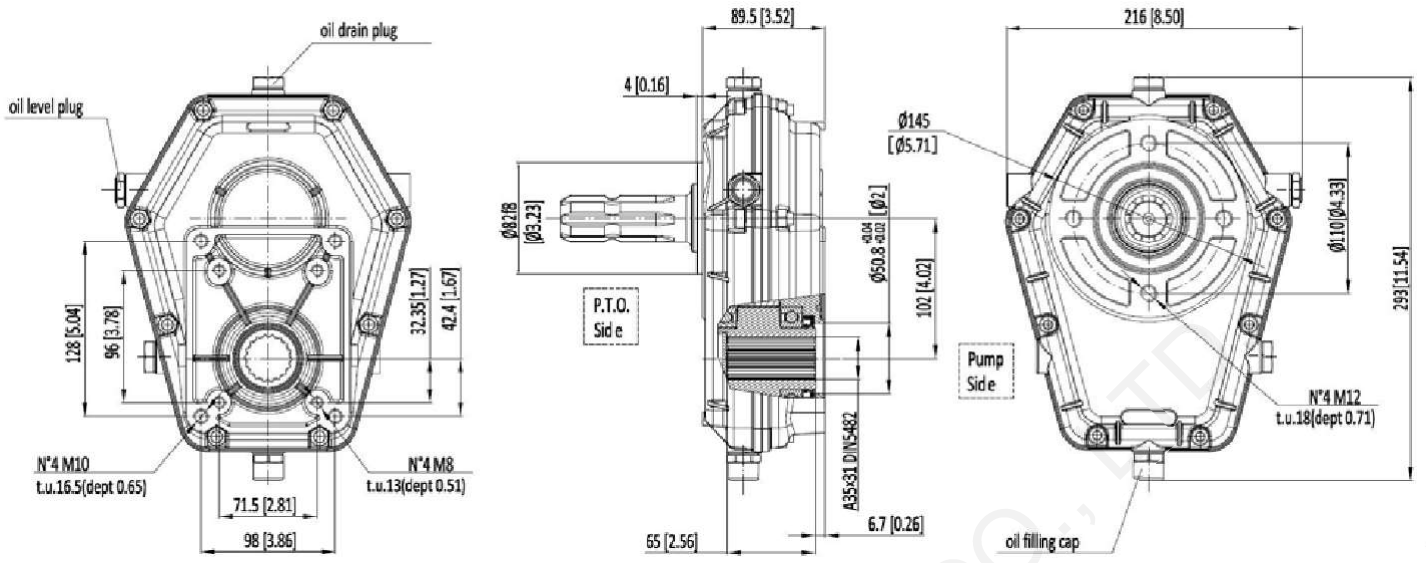


No.	Description	Quantity	No.	Description	Quantity
1	Nut M8	8	15	Sealing ring $\phi 50 \times 65 \times 8$	1
2	Cover	1	16	Housing	1
3	Sealing ring $\phi 45 \times 65 \times 8$	1	17	Gasket	4
4	Bearing type 6009	2	18	Oil drain plug 3/8"	2
5	Bearing type 6010	2	19	Socket cap screw M8 \times 35	8
6	Peg 6 \times 12	2	20	Oil level plug 3/8"	1
7	Gasket	1	21	Oil filling cap 3/8"	1
8	Cap DIN 470 $\phi 37$	1	22	Pinion gear	1
9	Snap ring dia.50	2	23	Snap ring UNI 7435-50	1
10	Female 1 3/8" DIN 9611 short	1	24	Ring	1
11	Female 1 3/8" DIN 9611 long	1	25	Spring	1
12	Key 12 \times 25	1	26	Spring ring	1
13	Male 1 3/8" DIN 9611	1	27	Female 1 3/8" DIN 9611 + tightening	1
14	Ring gear	1	28	Ball	3

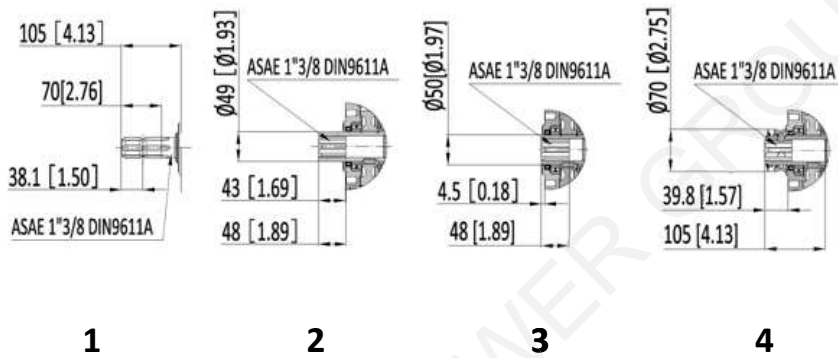
Technical sheet:

Input torque (Nm)	Output torque (Nm)	Input speed (r/min)	Transmission ratio	Output speed (r/min)	Power (Kw)	Weight (Kg)
380	260	540	1.5	810	20	8.3
430	210	540	2	1080	20	8.3
460	180	540	2.5	1350	20	8.3
490	160	540	3	1620	20	8.3
460	130	540	3.5	1836	20	8.3
437	115	540	3.8	2052	20	8.3

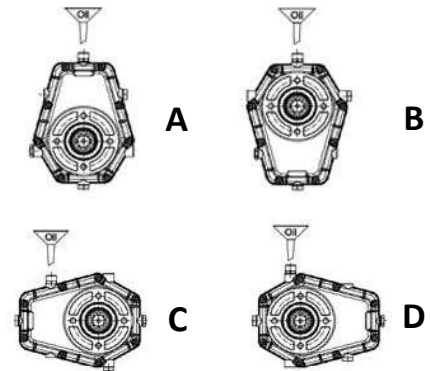
Three views:



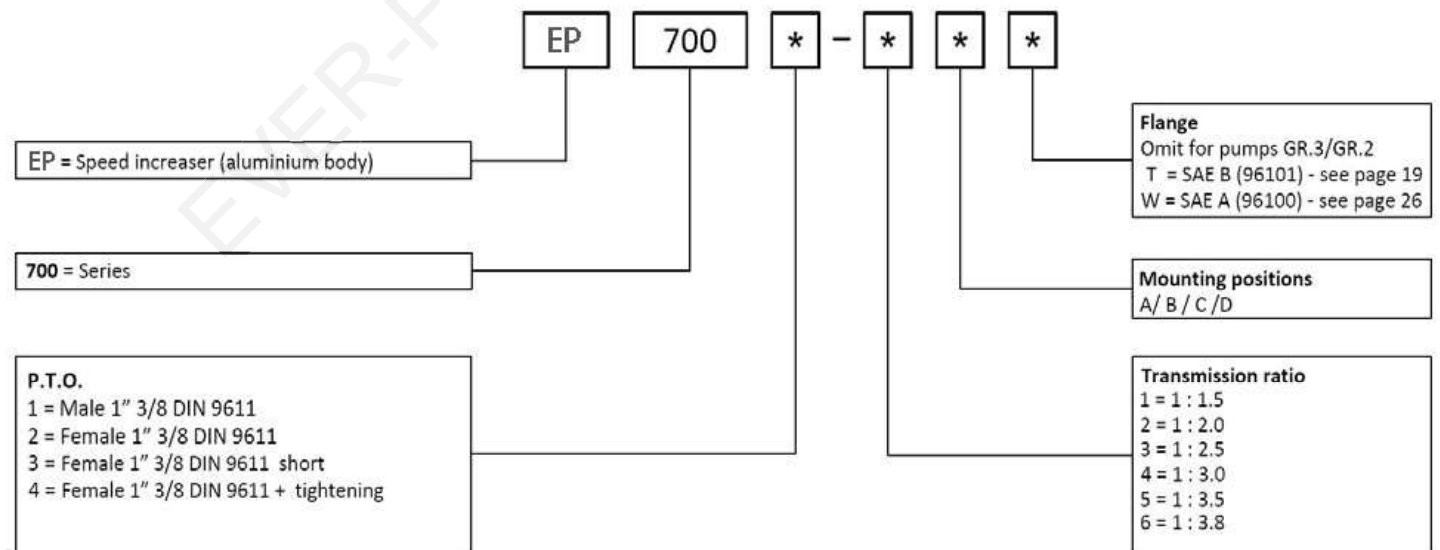
P.T.O.



Mounting positions



How to order:



For example: EP7001-1AT



EP7105



EP7106

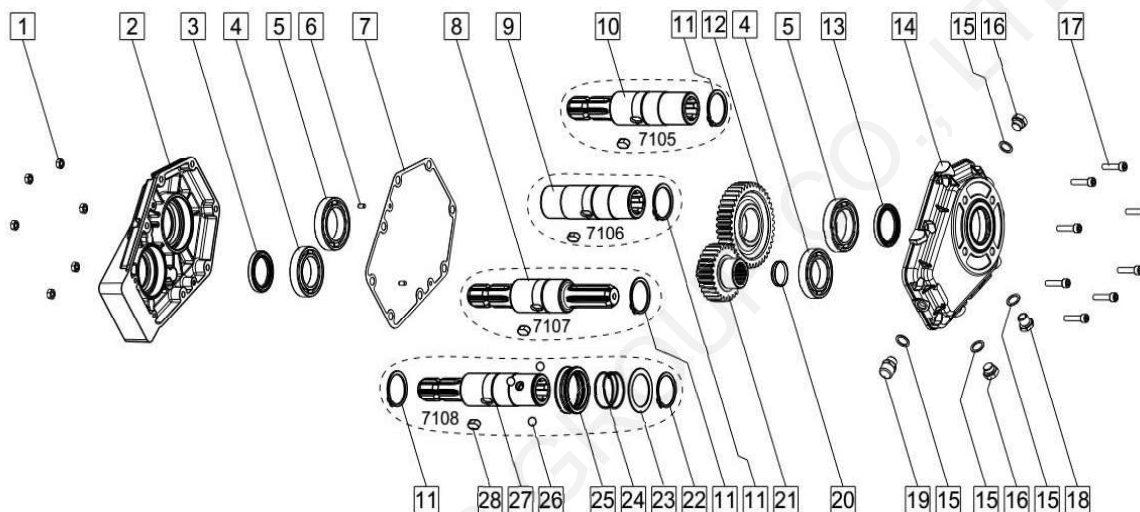


EP7107



EP7108

Spare parts:

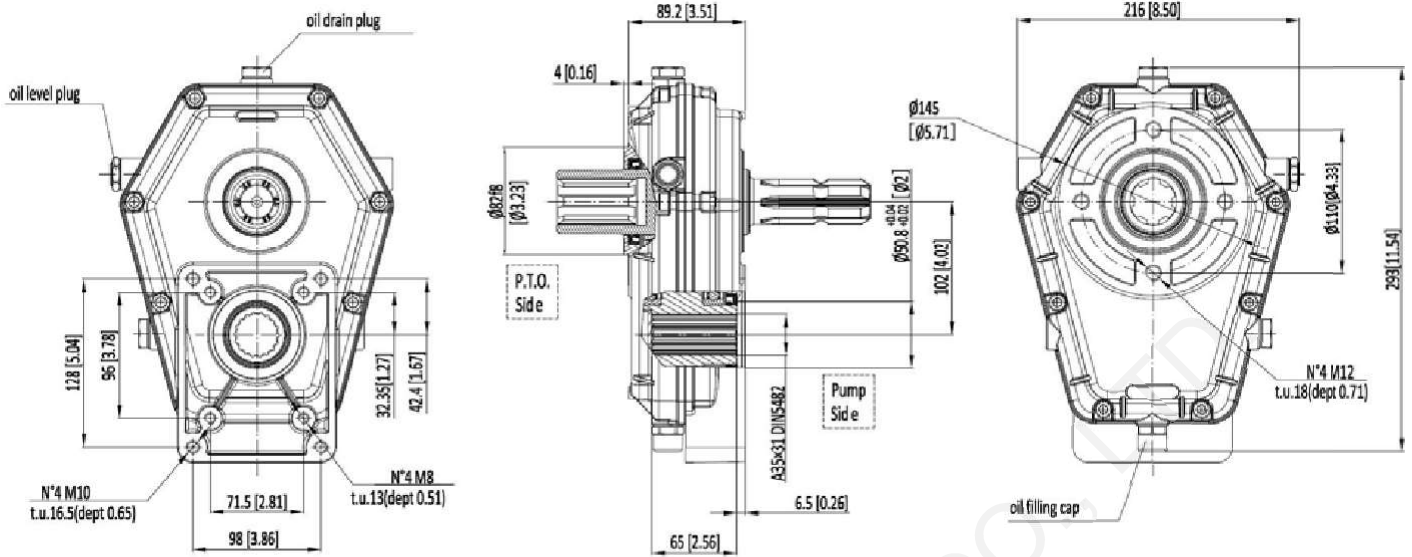


No.	Description	Quantity	No.	Description	Quantity
1	Nut M8	6	15	Gasket	4
2	Cover	1	16	Oil drain plug 3/8"	2
3	Sealing ring $\phi 45 \times 65 \times 8$	1	17	Socket cap screw M8 \times 35	6
4	Bearing type 6009	2	18	Oil level plug 3/8"	1
5	Bearing type 6010	2	19	Oil filling cap 3/8"	1
6	Peg 6 \times 12	2	20	Cap DIN 470 $\phi 37$	1
7	Gasket	1	21	Pinion gear	1
8	Male/male 1 3/8" DIN 9611	1	22	Snap ring UNI 7435-50	1
9	Female/female 1 3/8" DIN 9611	1	23	Ring	1
10	Female/male 1 3/8" DIN 9611	1	24	Spring	1
11	Snap ring dia.50	1	25	Spring ring	1
12	Ring gear	1	26	Ball	3
13	Sealing ring $\phi 50 \times 65 \times 8$	1	27	Female/male 1 3/8" DIN 9611 + tightening	1
14	Housing	1	28	Key 12 \times 25	1

Technical sheet:

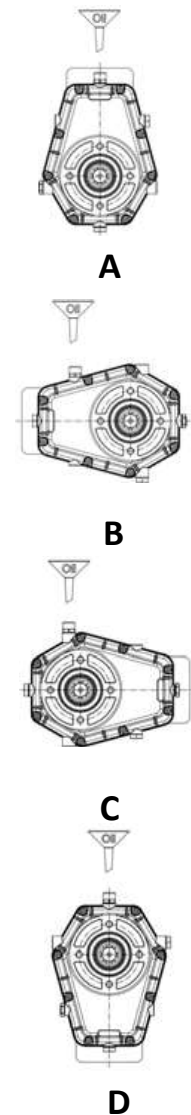
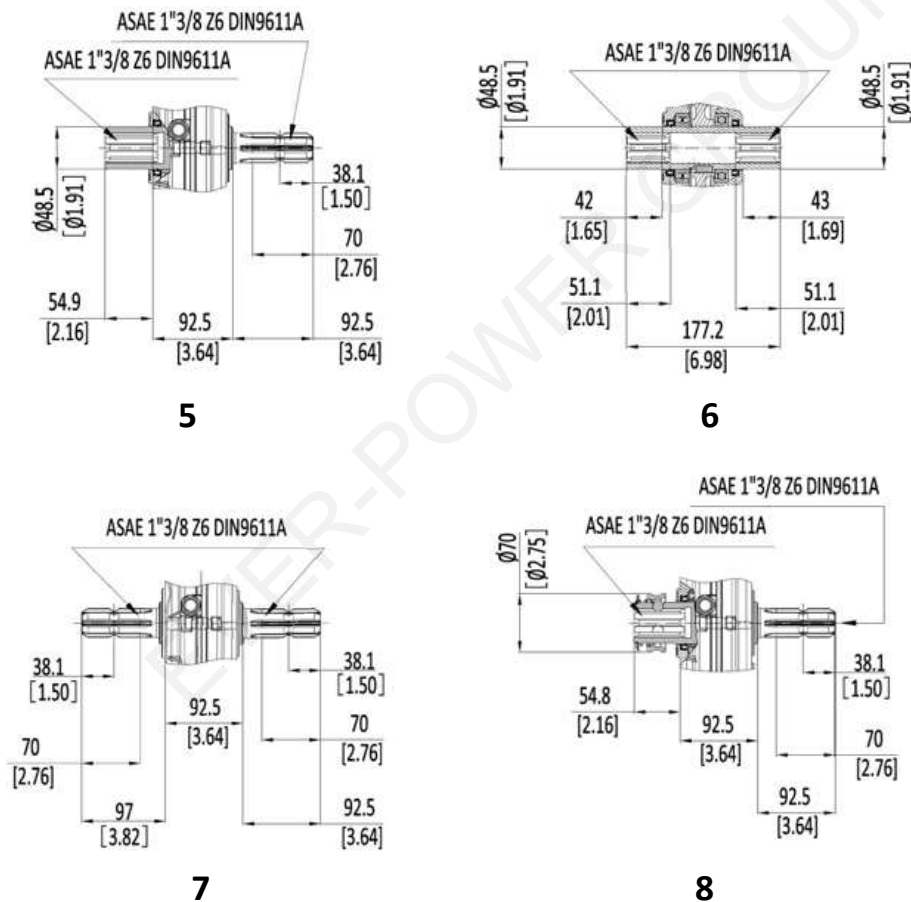
Input torque (Nm)	Output torque (Nm)	Input speed (r/min)	Transmission ratio	Output speed (r/min)	Power (Kw)	Weight (Kg)
380	260	540	1.5	810	20	9.7
430	210	540	2	1080	20	9.7
460	180	540	2.5	1350	20	9.7
490	160	540	3	1620	20	9.7
460	130	540	3.5	1836	20	9.7
437	115	540	3.8	2052	20	9.7

Three views:

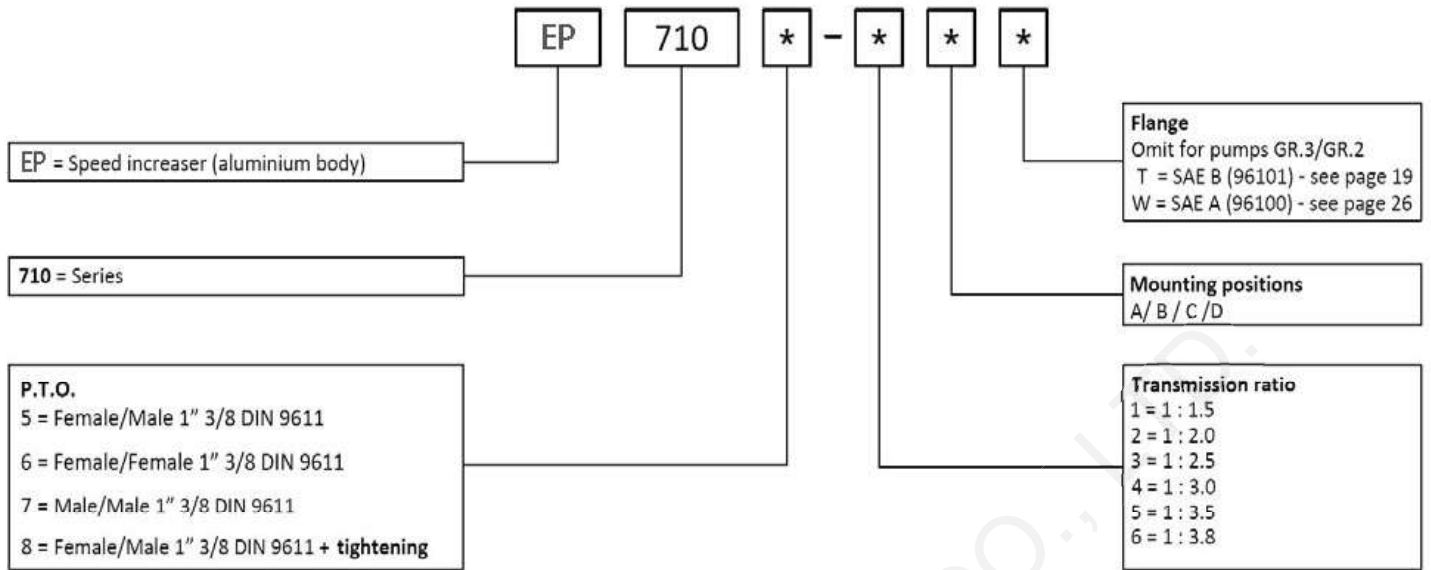


P.T.O.

Mounting positions



How to order:



For example: **EP7105-1AT**



EP7109

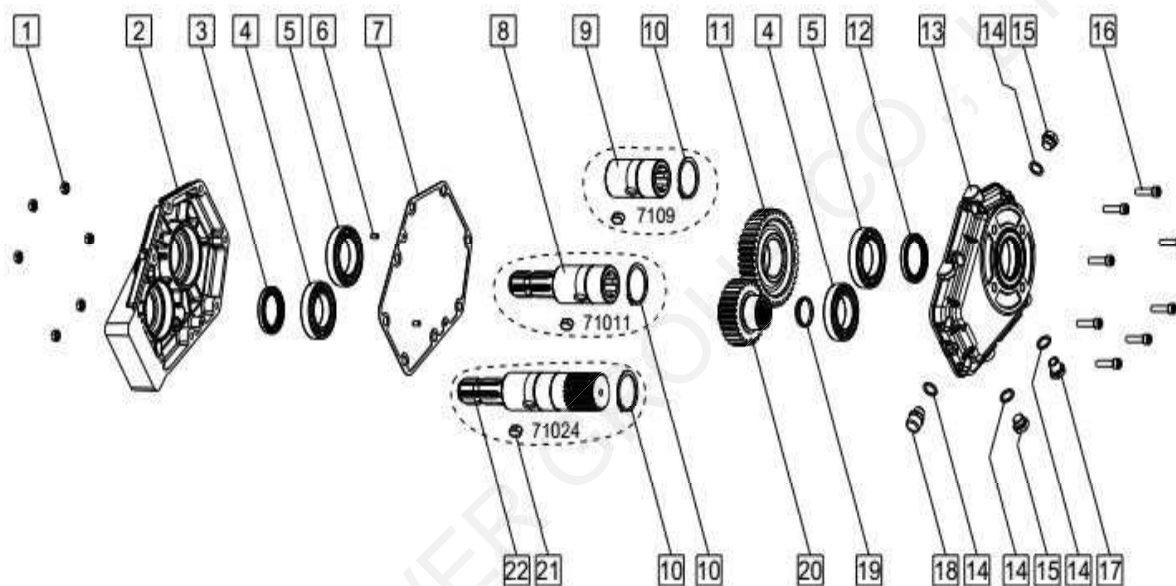


EP71011



EP71024

Spare parts:

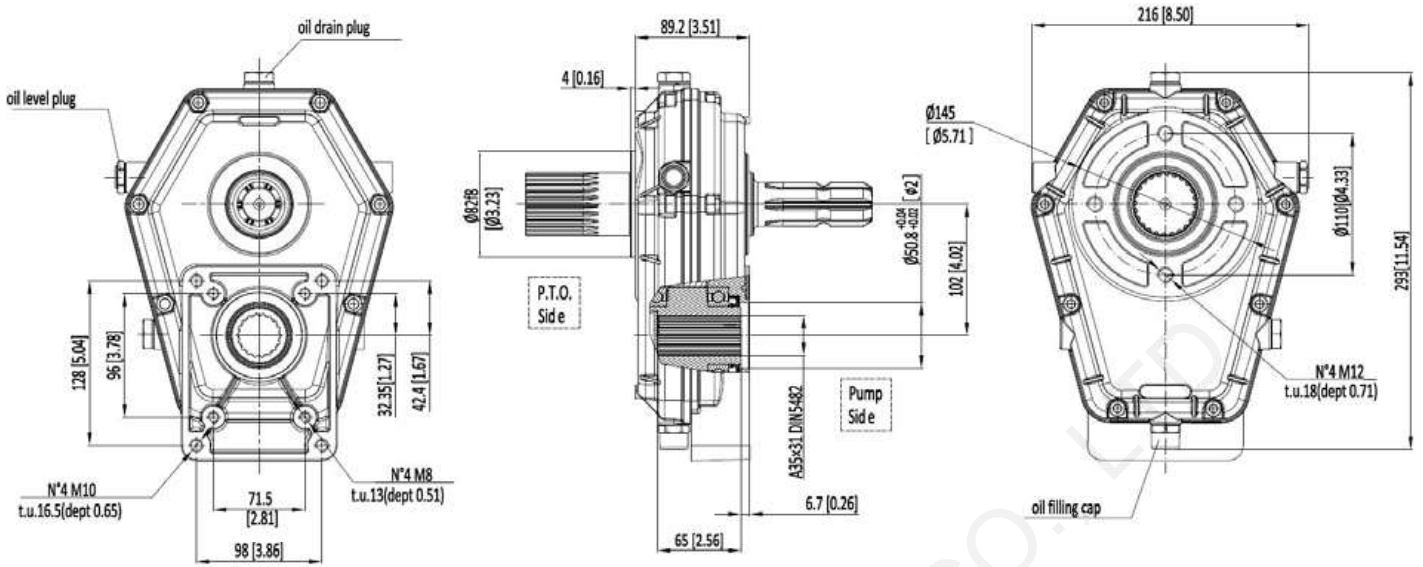


No.	Description	Quantity	No.	Description	Quantity
1	Nut M8	6	12	Sealing ring $\phi 50 \times 65 \times 8$	1
2	Cover	1	13	Housing	1
3	Sealing ring $\phi 45 \times 65 \times 8$	1	14	Gasket	4
4	Bearing type 6009	2	15	Oil drain plug 3/8"	2
5	Bearing type 6010	2	16	Socket cap screw M8 \times 35	6
6	Peg 6 \times 12	2	17	Oil level plug 3/8"	1
7	Gasket	1	18	Oil filling cap 3/8"	1
8	Female/female 1 3/8" DIN 9611 short	1	19	Cap DIN 470 $\phi 37$	1
9	Female/male 1 3/8" DIN 9611 short	1	20	Pinion gear	1
10	Snap ring dia.50	1	21	Key 12 \times 25	1
11	Ring gear	1	22	Male 50 \times 45 Z24 DIN 5482 + male 1 3/8" DIN 9611	1

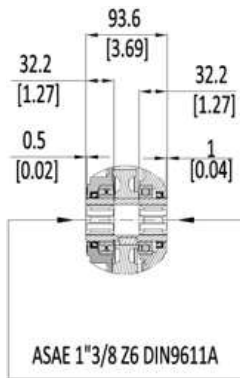
Technical sheet:

Input torque (Nm)	Output torque (Nm)	Input speed (r/min)	Transmission ratio	Output speed (r/min)	Power (Kw)	Weight (Kg)
380	260	540	1.5	810	20	9.7
430	210	540	2	1080	20	9.7
460	180	540	2.5	1350	20	9.7
490	160	540	3	1620	20	9.7
460	130	540	3.5	1836	20	9.7
437	115	540	3.8	2052	20	9.7

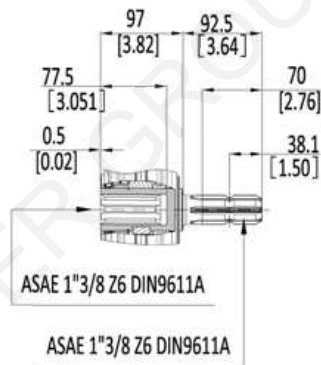
Three views:



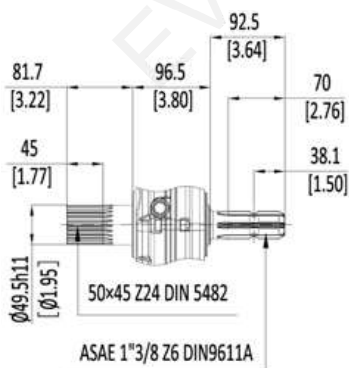
P.T.O.



9

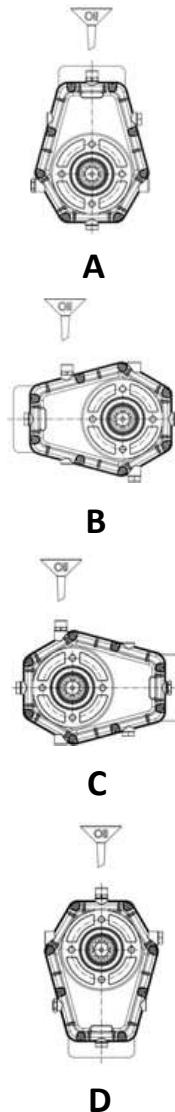


11

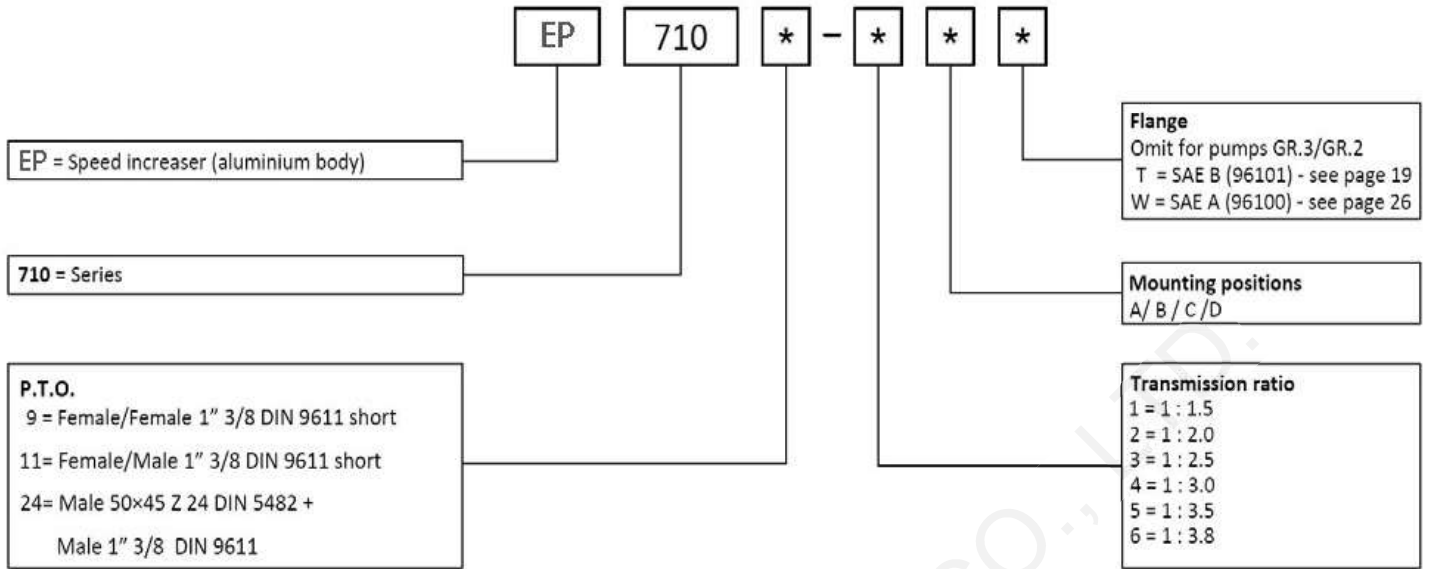


24

Mounting positions



How to order:



For example: EP71024-1AT



EPT7001



EPT7002

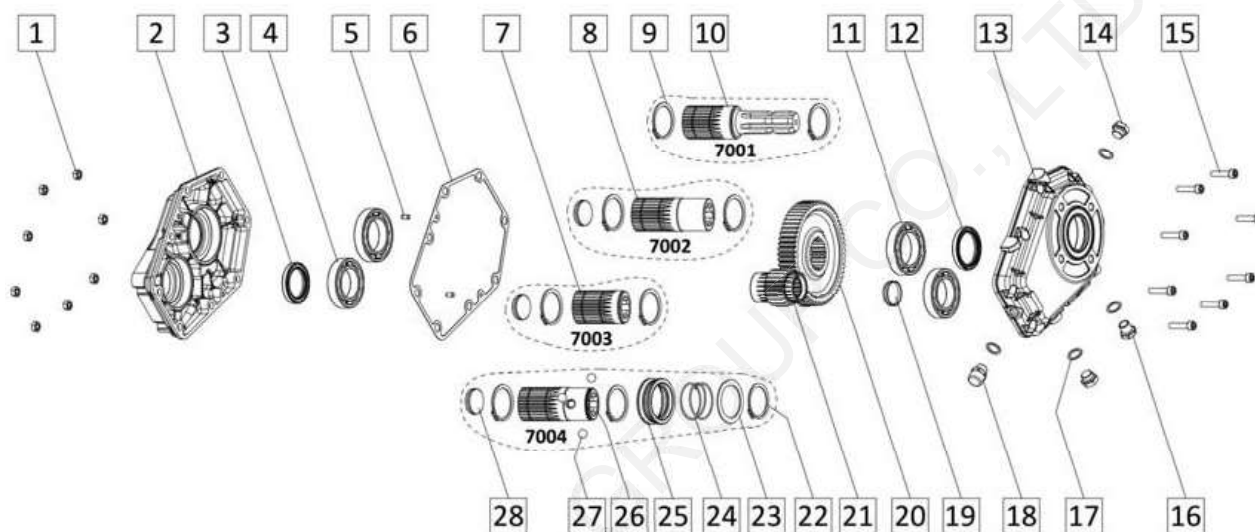


EPT7003



EPT7004

Spare parts:

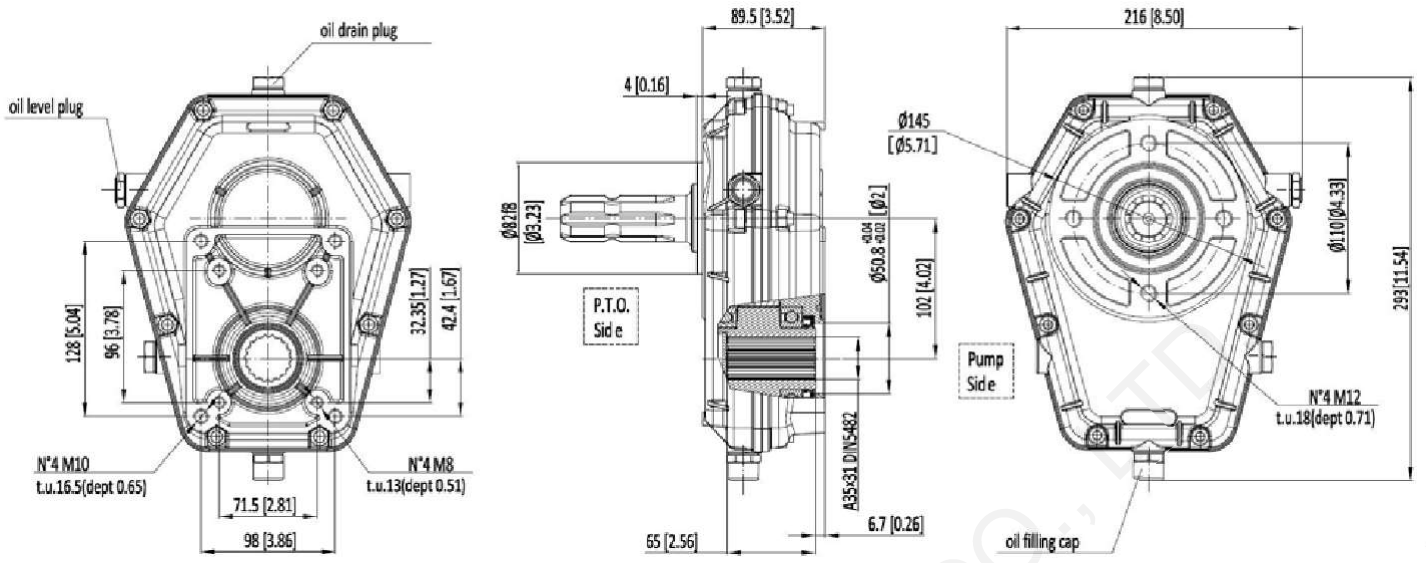


No.	Description	Quantity	No.	Description	Quantity
1	Nut M8	8	15	Socket cap screw M8×35	8
2	Cover	1	16	Oil level plug 3/8"	1
3	Sealing ring φ45×65×8	1	17	Gasket	4
4	Bearing type 6009	2	18	Oil filling cap 3/8"	2
5	Peg 6×12	2	19	Cap DIN 470 φ37	1
6	Gasket	1	20	Ring gear	1
7	Female 1 3/8" DIN 9611 short	1	21	Pinion gear	1
8	Female 1 3/8" DIN 9611 long	1	22	Snap ring UNI 7435-50	1
9	Snap ring dia.50	2	23	Ring	1
10	Male 1 3/8" DIN 9611	1	24	Spring	1
11	Bearing type 6010	2	25	Spring ring	1
12	Sealing ring φ50×65×8	1	26	Female 1 3/8" DIN 9611 + tightening	1
13	Housing	1	27	Ball	3
14	Oil drain plug 3/8"	2	28	Cap din	1

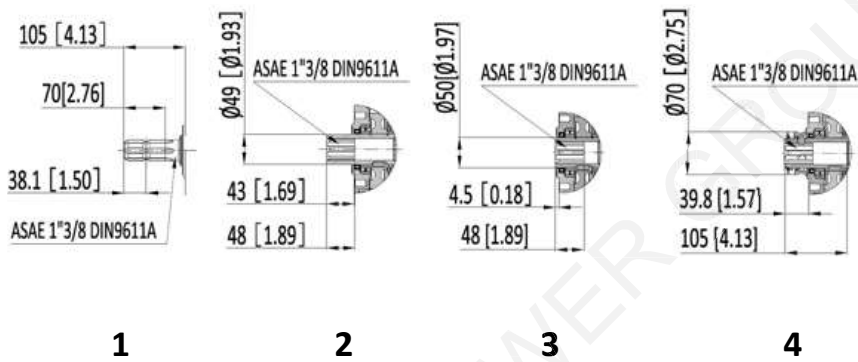
Technical sheet:

Input torque (Nm)	Output torque (Nm)	Input speed (r/min)	Transmission ratio	Output speed (r/min)	Power (Kw)	Weight (Kg)
660	440	540	1.5	810	37	16
660	330	540	2	1080	37	16
660	264	540	2.5	1350	37	16
660	220	540	3	1620	37	16
660	180	540	3.5	1836	37	16
660	166	540	3.8	2052	37	16

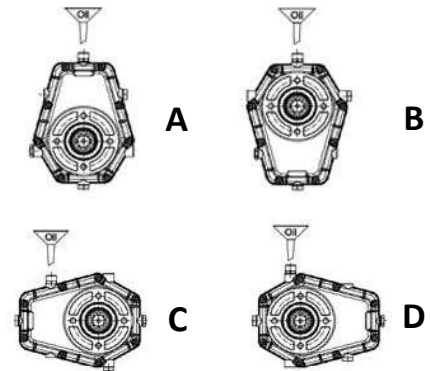
Three views:



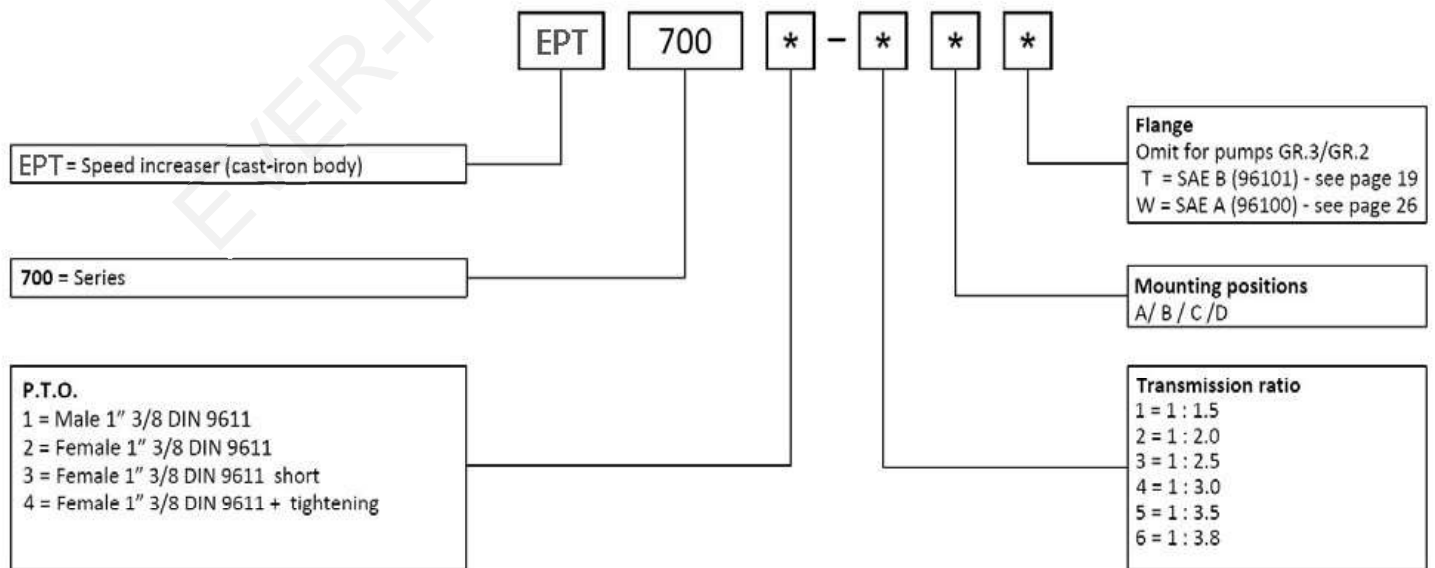
P.T.O.



Mounting positions



How to order:



For example: EPT7001-1AT



EPT7201



EPT7202

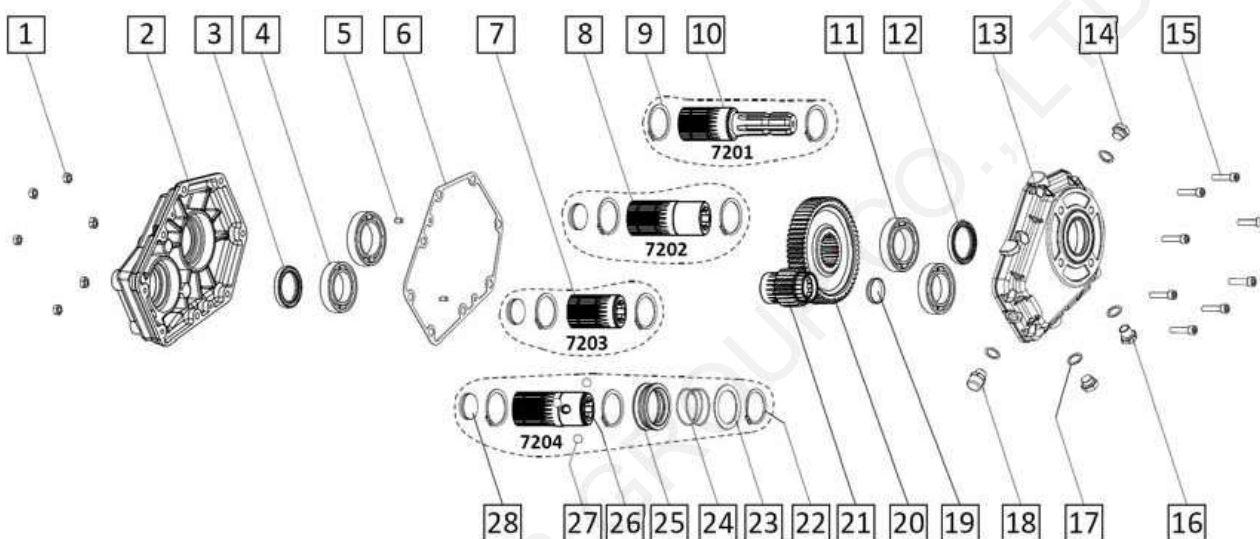


EPT7203



EPT7204

Spare parts:

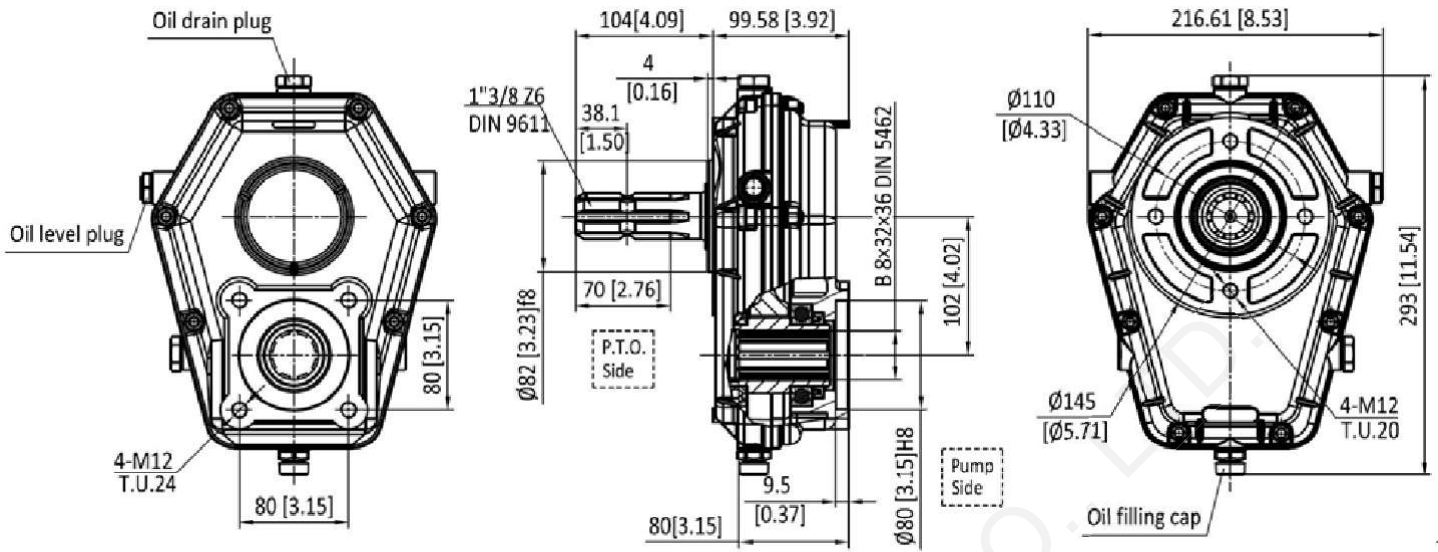


No.	Description	Quantity	No.	Description	Quantity
1	Nut M8	6	15	Socket cap screw M8	8
2	Cover	1	16	Oil level plug 3/8"	1
3	Sealing ring $\phi 45 \times 65 \times 8$	1	17	Gasket	4
4	Bearing type 6009	2	18	Oil filling cap 3/8"	2
5	Peg 6 \times 12	2	19	Cap DIN 470 $\phi 37$	1
6	Gasket	1	20	Ring gear	1
7	Female 1 3/8" DIN 9611 short	1	21	Pinion gear	1
8	Female 1 3/8" DIN 9611 long	1	22	Snap ring UNI 7435-50	1
9	Snap ring dia.50	2	23	Ring	1
10	Male 1 3/8" DIN 9611	1	24	Spring	1
11	Bearing type 6010	2	25	Spring ring	1
12	Sealing ring $\phi 50 \times 65 \times 8$	1	26	Female 1 3/8" DIN 9611 + tightening	1
13	Housing	1	27	Ball	3
14	Oil drain plug 3/8"	2	28	Cap din	1

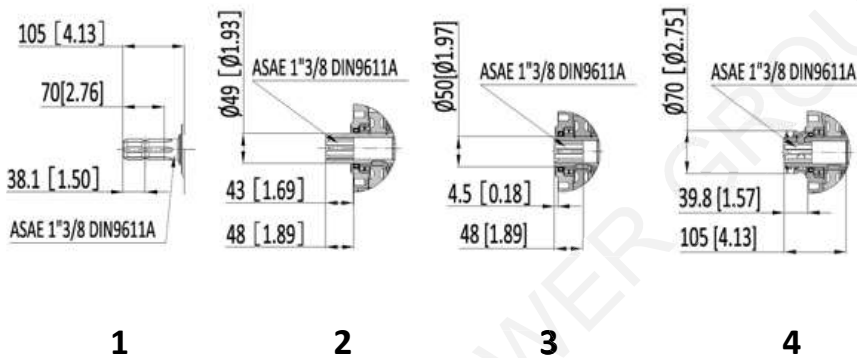
Technical sheet:

Input torque (Nm)	Output torque (Nm)	Input speed (r/min)	Transmission ratio	Output speed (r/min)	Power (Kw)	Weight (Kg)
660	440	540	1.5	810	37	16
660	330	540	2	1080	37	16
660	264	540	2.5	1350	37	16
660	220	540	3	1620	37	16
660	180	540	3.5	1836	37	16
660	166	540	3.8	2052	37	16

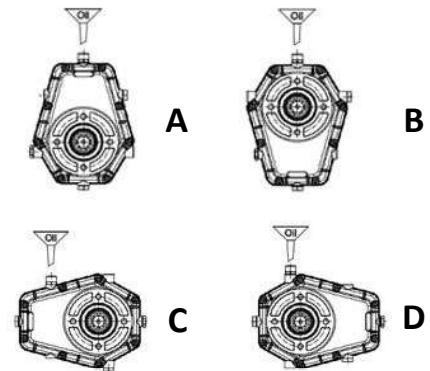
Three views:



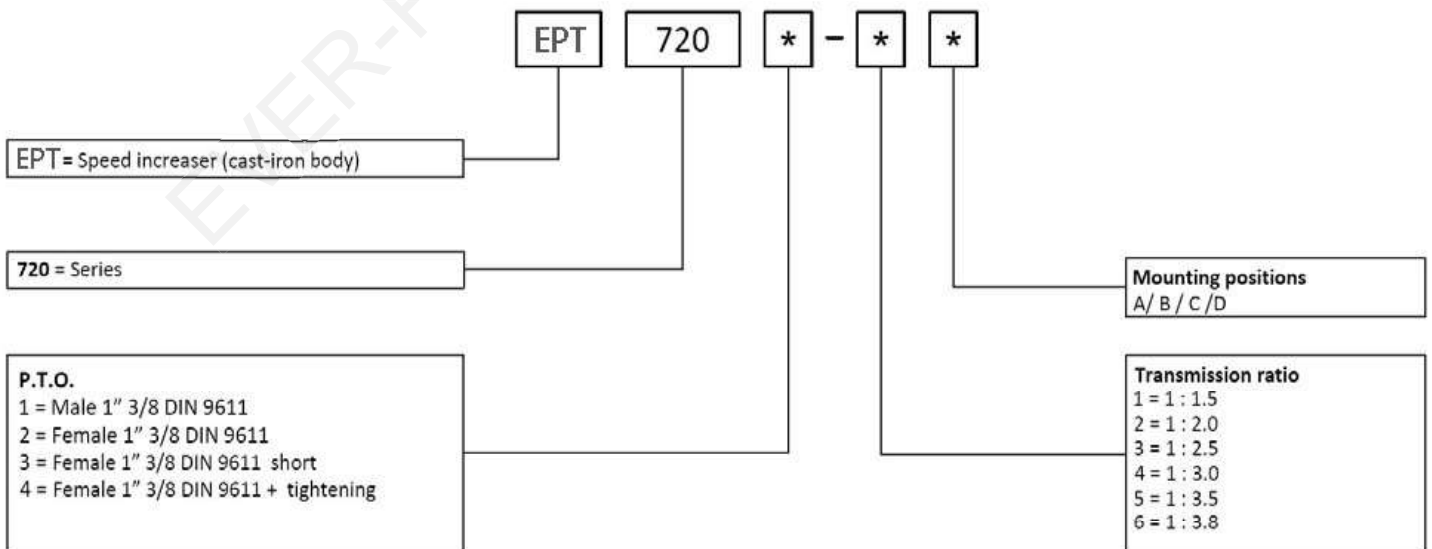
P.T.O.



Mounting positions



How to order:



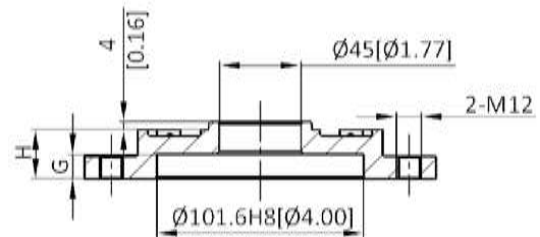
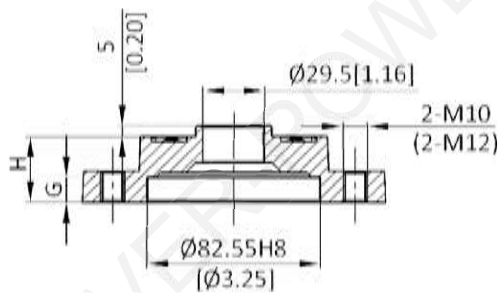
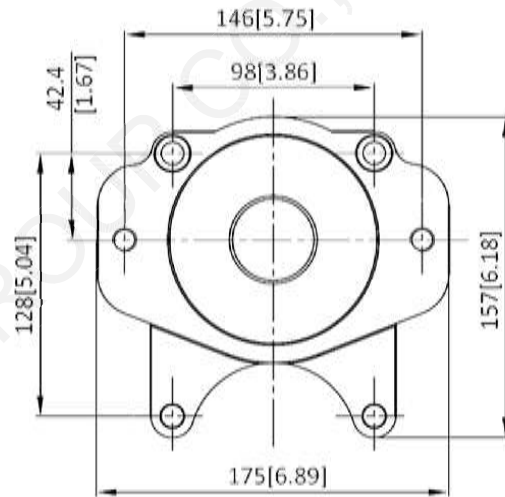
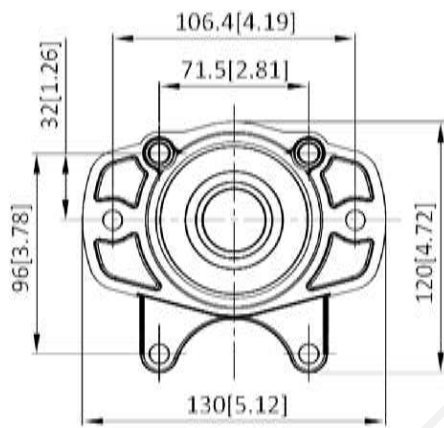
For example: EPT7201-1AT



60100



96101

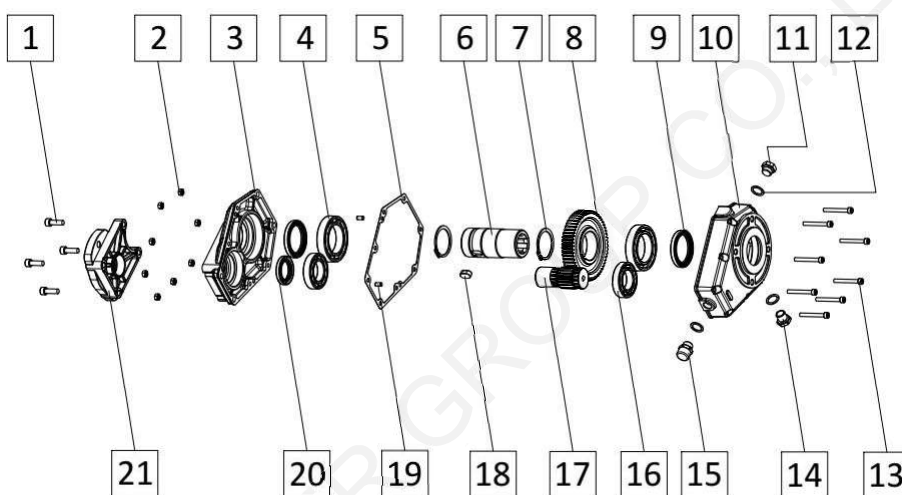


	SAE A Gr.2	SAE B Gr.3
Code	60100	96101
G	12	12
H	32	25



EPR60016

Spare parts:

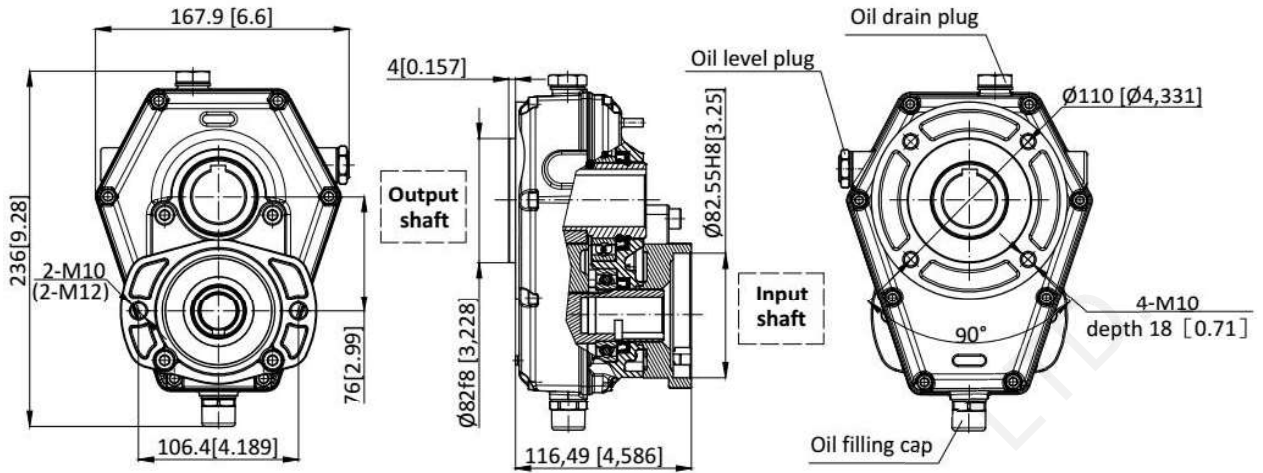


No.	Description	Quantity	No.	Description	Quantity
1	Screw M8×20	4	12	Gasket	3
2	Nut M8	8	13	Socket cap screw M8×35	8
3	Cover	1	14	Oil level plug 3/8"	1
4	Bearing type 6010	2	15	Oil filling cap 3/8"	1
5	Gasket	1	16	Bearing type 6009	2
6	Hollow shaft φ35	1	17	Pinion gear	1
7	Snap ring φ50	2	18	Key 12×8	1
8	Ring gear	1	19	Peg 6×12	2
9	Sealing ring φ50×65×8	2	20	Sealing ring φ45×65×8	1
10	Housing	1	21	Flange	1
11	Oil drain plug 3/8"	1			

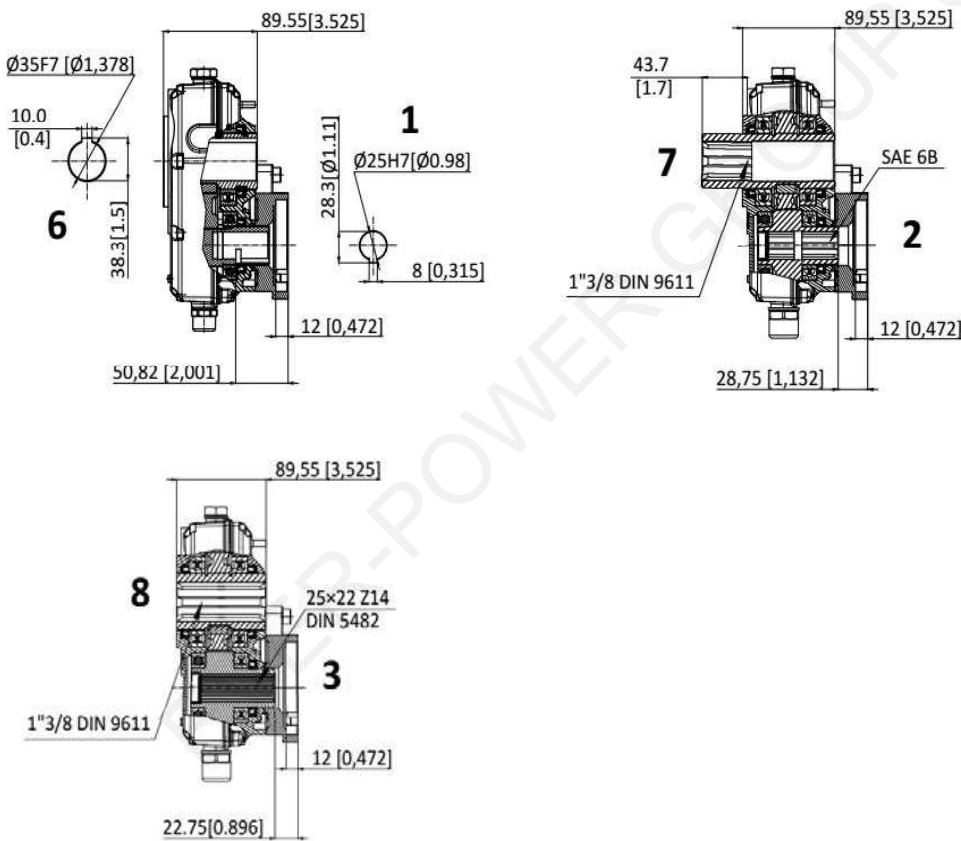
Technical sheet:

Output torque (Nm)	Input torque (Nm)	Input speed (r/min)	Transmission ratio	Output speed (r/min)	Power (Kw)	Weight (Kg)
196	130	300	1.5	200	10	6
176	88	400	2	200	10	6
192	77	500	2.5	200	10	6
200	67	600	3	200	10	6
214	63	700	3.5	200	10	6
186	49	760	3.8	200	10	6

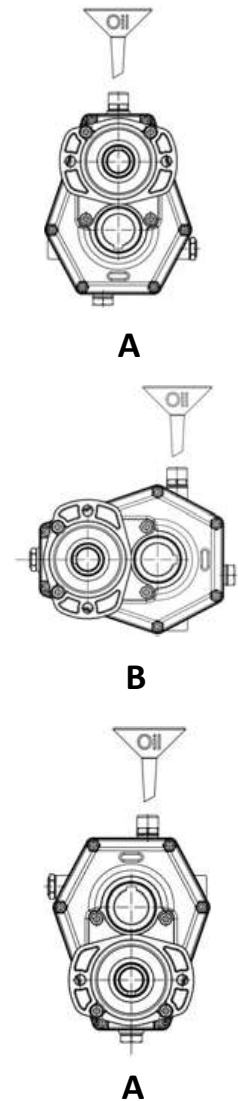
Three views:



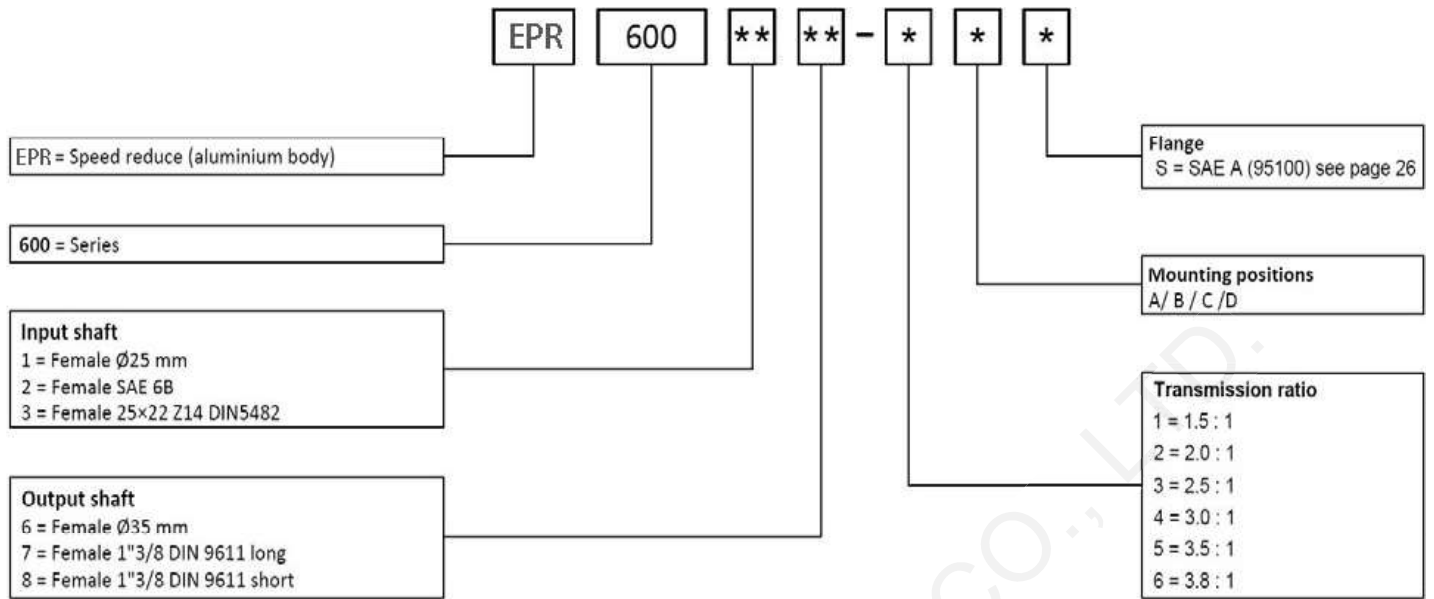
Shaft



Mounting positions



How to order:

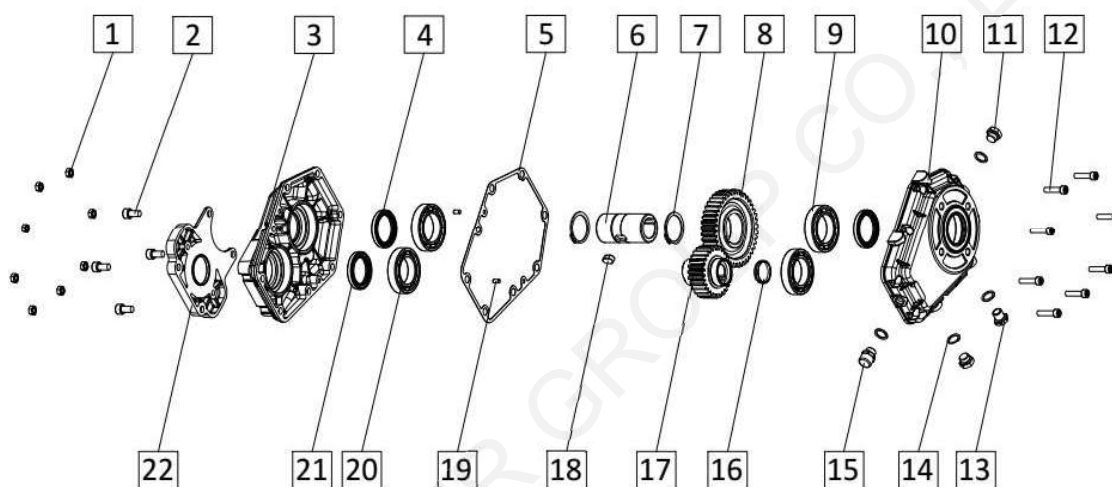


For example: EPR60016-1AS



KR70016

Spare parts:

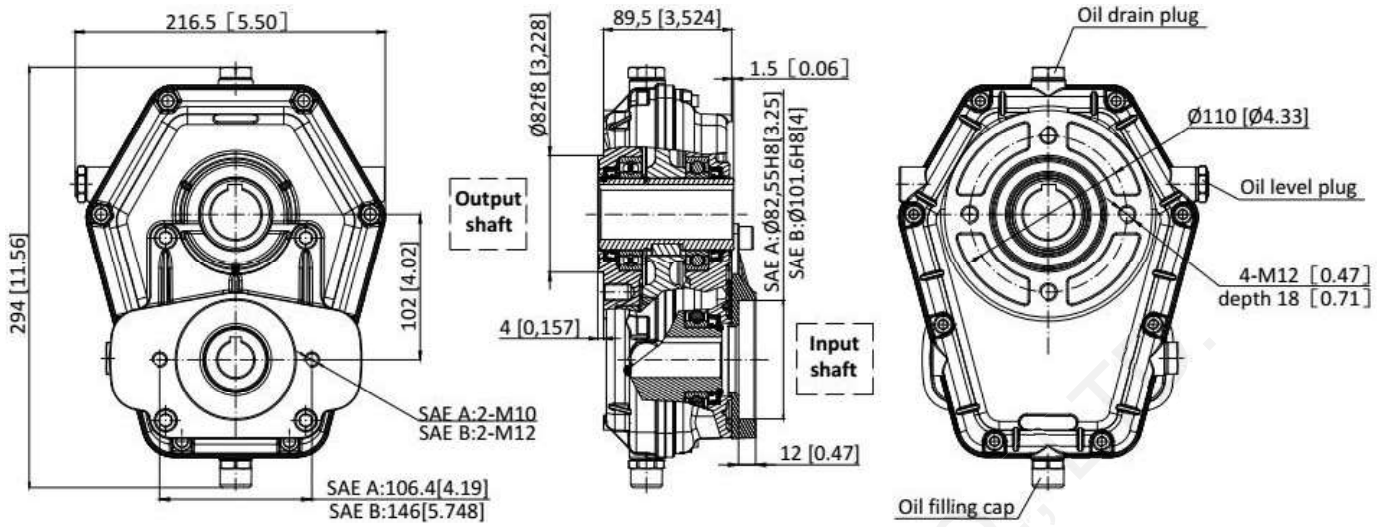


No.	Description	Quantity	No.	Description	Quantity
1	Nut M8	8	12	Socket cap screw M8×70	8
2	Screw M8×20	4	13	Oil level plug 3/8"	1
3	Cover	1	14	Gasket	4
4	Sealing ring $\phi 50 \times 65 \times 8$	2	15	Oil filling cap 3/8"	1
5	Gasket	1	16	Cap din 470 $\phi 37$	1
6	Hollow shaft $\phi 35$	1	17	Pinion gear	1
7	Snap ring $\phi 50$	2	18	Key 12×25	1
8	Ring gear	1	19	Peg 6×12	2
9	Bearing type 6010	2	20	Bearing type 6009	2
10	Housing	1	21	Sealing ring $\phi 45 \times 65 \times 8$	1
11	Oil drain plug 3/8"	1	22	Flange	1

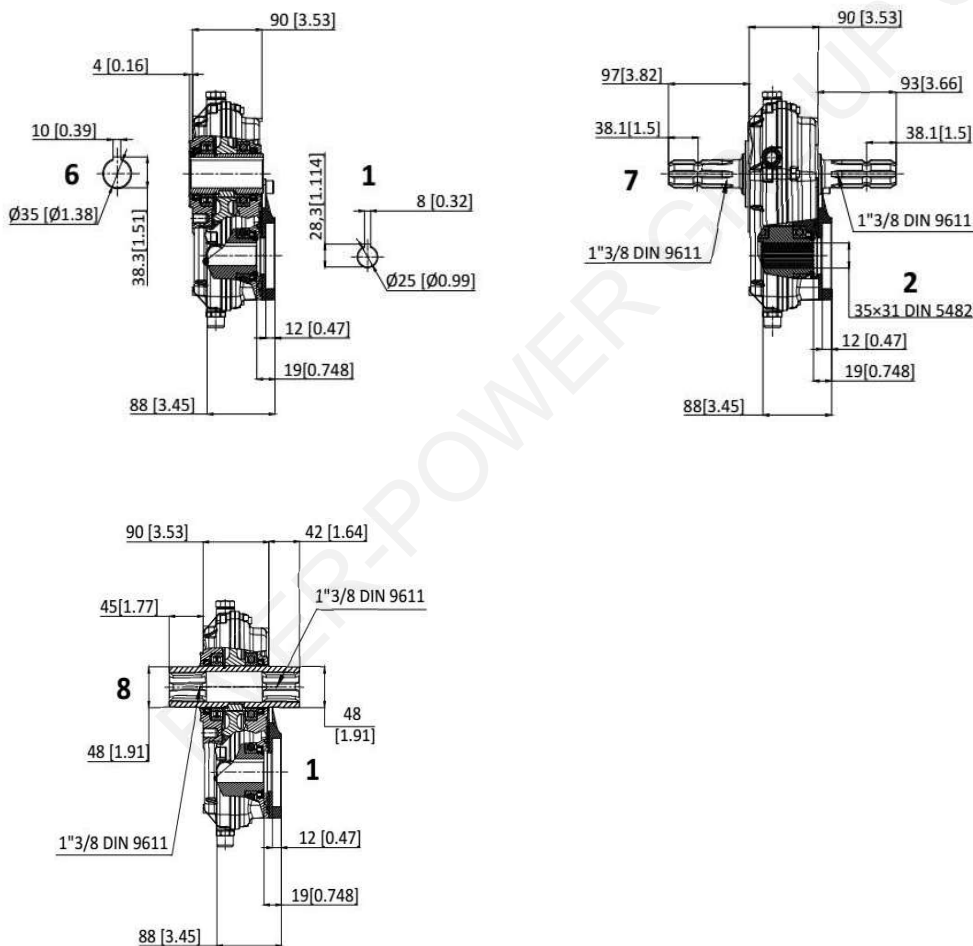
Technical sheet:

Output torque (Nm)	Input torque (Nm)	Input speed (r/min)	Transmission ratio	Output speed (r/min)	Power (Kw)	Weight (Kg)
480	320	300	1.5	200	20	8.7
485	240	400	2	200	20	8.7
520	210	500	2.5	200	20	8.7
570	190	600	3	200	20	8.7
530	150	700	3.5	200	20	8.7
525	140	760	3.8	200	20	8.7

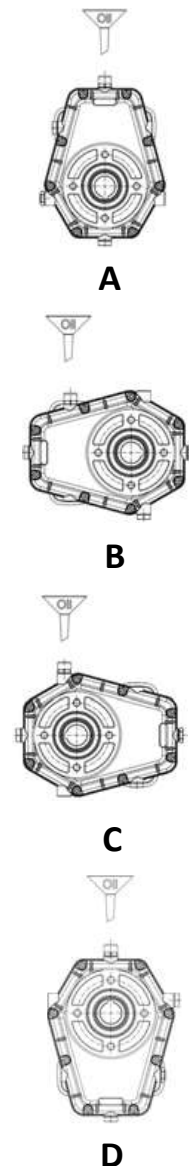
Three views:



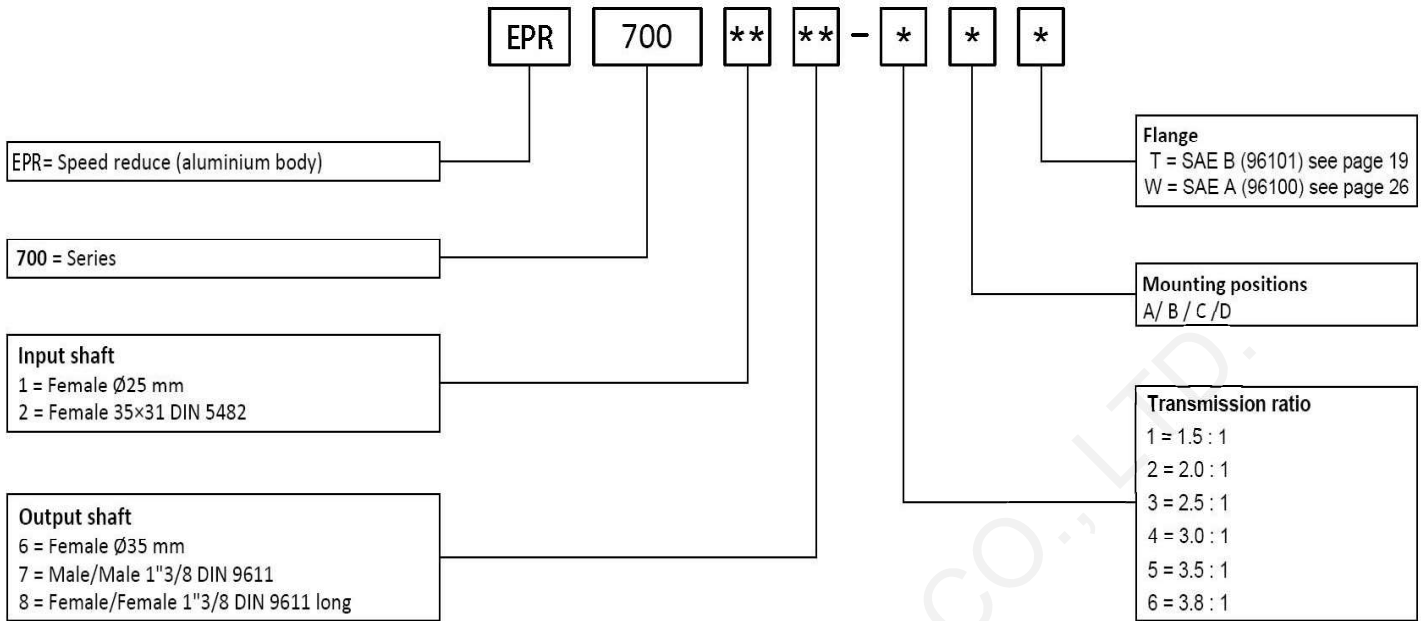
Shaft



Mounting positions



How to order:



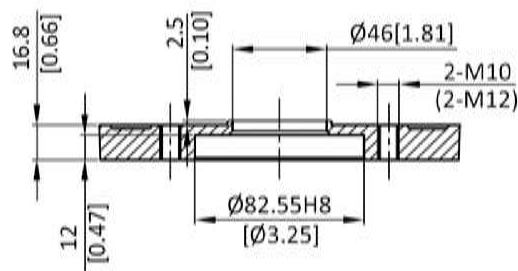
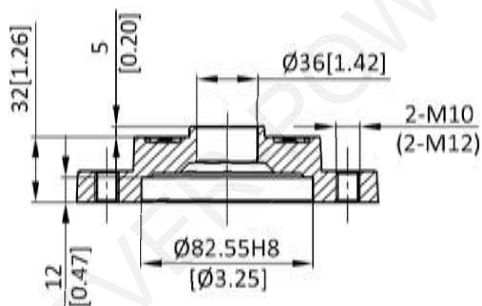
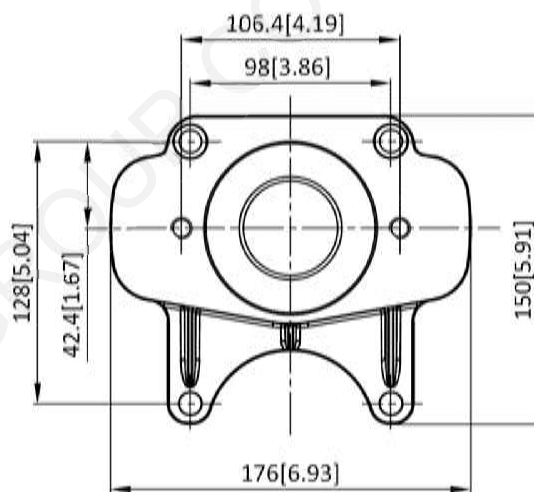
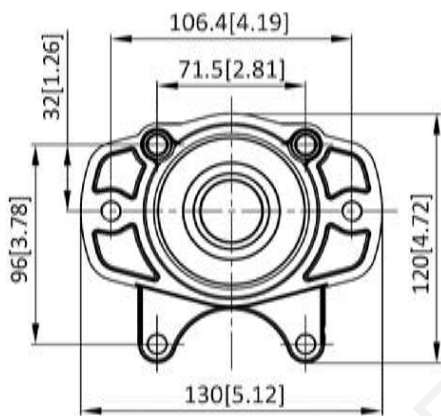
For example: **EPR70016-1AT**



95100



96100



Code	95100	96100
Application	SAE A for 600 series gear box and Gr.2	SAE A for 700/710 series gear box and Gr.2



10005



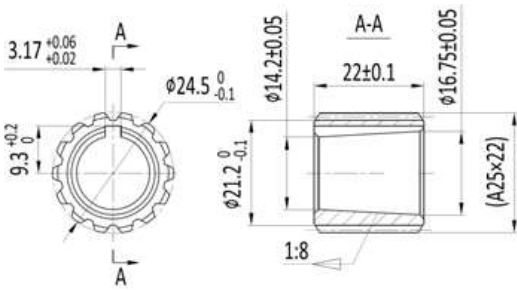
10012



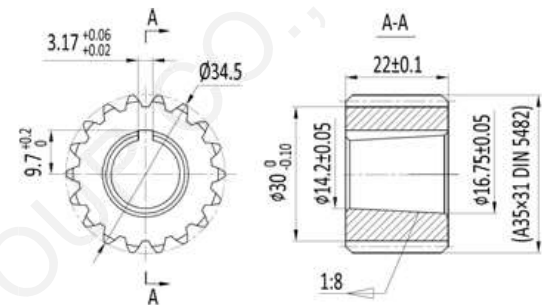
10014



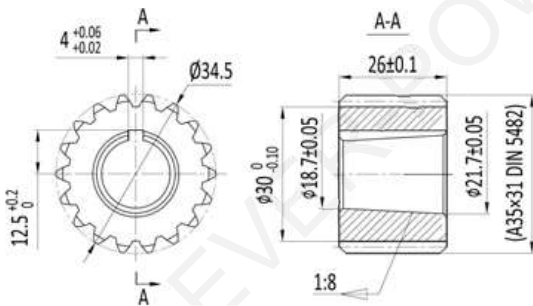
35505



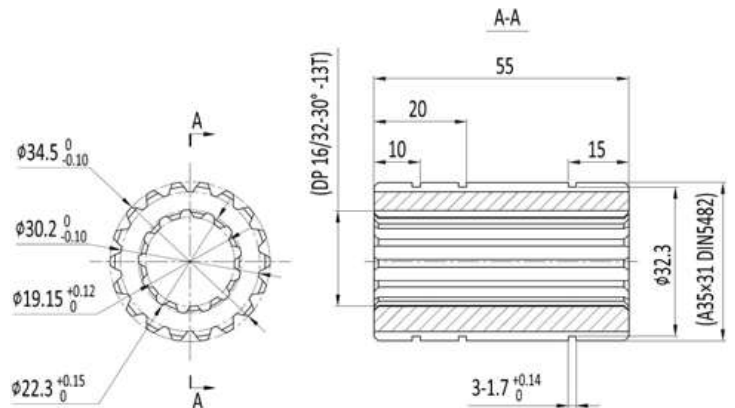
10005



10012



10014



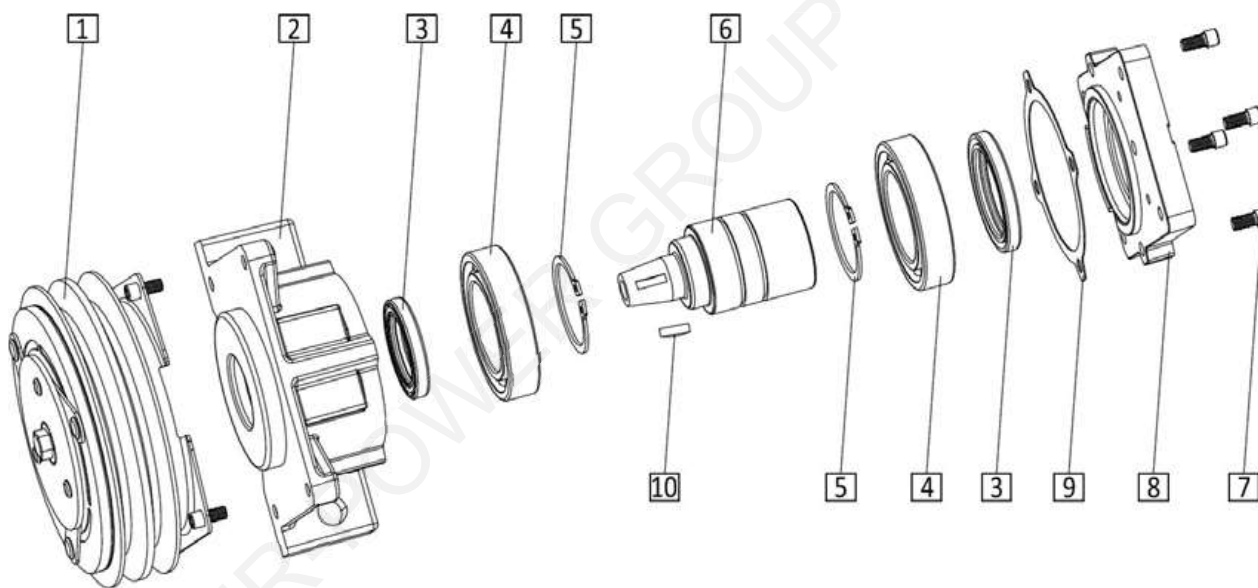
35505

Code	10005	10012	10014	35505
Application	For 600 series gearbox and Gr.2	For 700/710 series gearbox and Gr.2	For 700/710 series gearbox and Gr.3	For 700/710 series gearbox and Gr.3

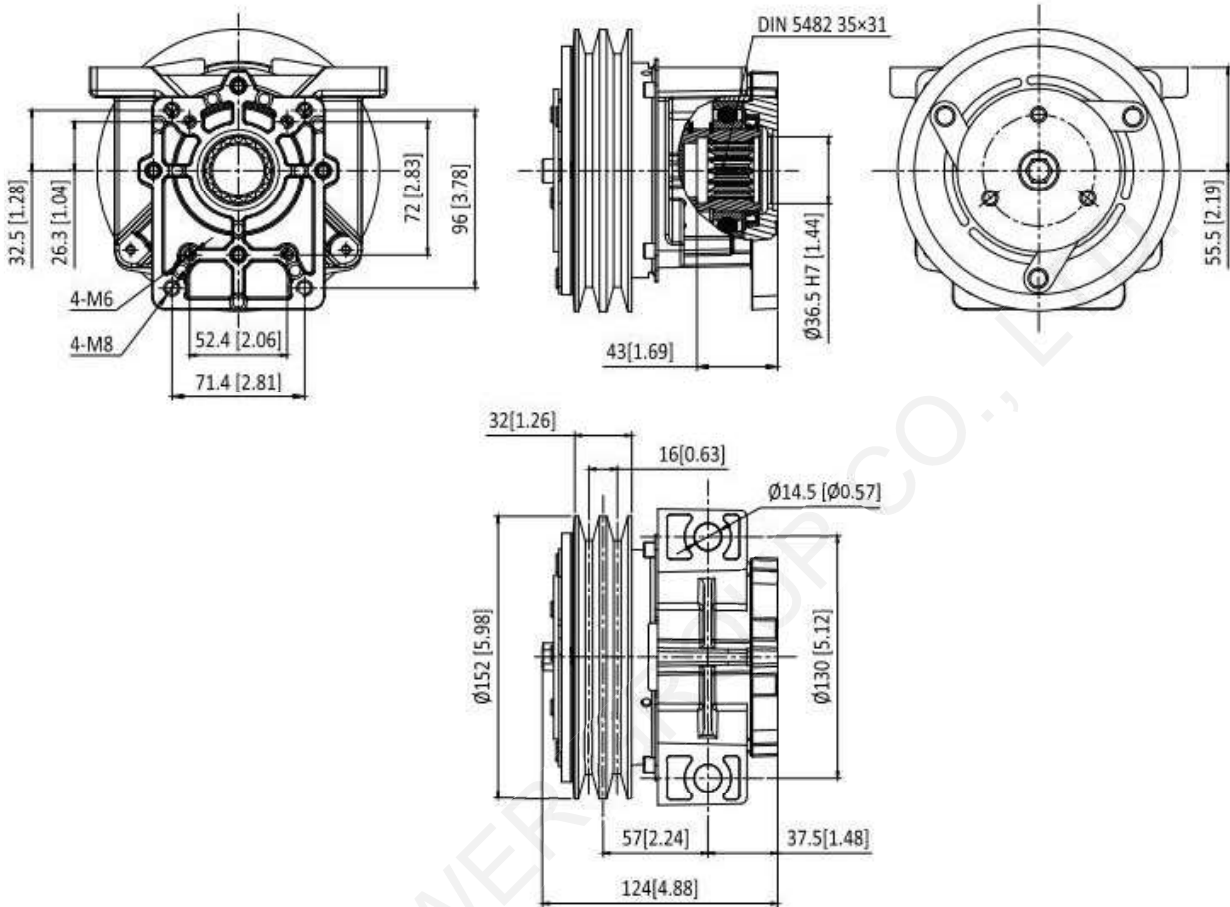


EPRS30901

Spare parts:



No.	Description	Quantity	No.	Description	Quantity
1	Electric clutch	1	6	Shaft	1
2	Housing	1	7	Gasket	1
3	Sealing ring	2	8	Flange for pump	1
4	Bearing	2	9	Socket cap screw	4
5	Snap ring	2	10	Woodruff key	1

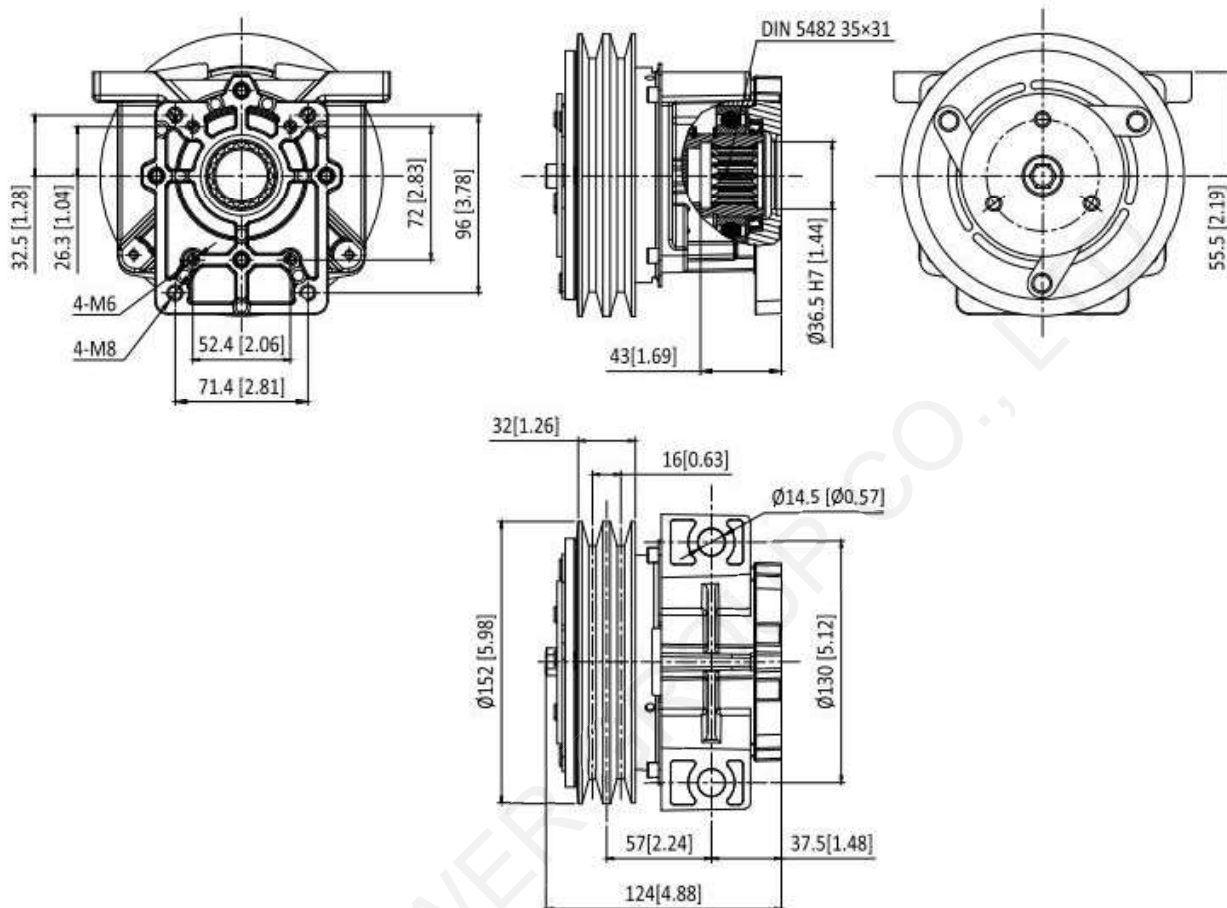


Technical sheet:

Nominal torque	78Nm		Connection time	25 m/sec
Static torque	125Nm		Disconnection time	40 m/sec
Dynamic torque	85Nm	At 500 rpm	Minimum time between two connection	20 sec
	70Nm	At 1000 rpm		
	42Nm	At 1500 rpm		
	35Nm	At 2000 rpm	Max. speed	5000 rpm
	27Nm	At 2500 rpm	Weight	5.0 Kg
	25Nm	At 3000 rpm		

Type	Electric absorption	Resistance(Ω)		Current(A)		Power(W)	
		20°C	120°C	20°C	120°C	20°C	120°C
KRS30901	12 V DC	4	5.6	3.33	2	40	24
KRS30903	24 V DC	20	28	1.26	0.77	30.3	18.18

All technical data at 20°C/at 120°C the performance are less 20% , all electromagnetic clutches are reversible .



Technical sheet:

Nominal torque	118Nm		Connection time	25 m/sec
Static torque	140Nm		Disconnection time	40 m/sec
Dynamic torque	125Nm	At 500 rpm	Minimum time between two connection	20 sec
	110Nm	At 1000 rpm		
	82Nm	At 1500 rpm		
	75Nm	At 2000 rpm	Max. speed	5000 rpm
	67Nm	At 2500 rpm	Weight	5.6 Kg
	65Nm	At 3000 rpm		

Type	Electric absorption	Resistance(Ω)		Current(A)		Power(W)	
		20°C	120°C	20°C	120°C	20°C	120°C
KRS30929	12 V DC	4	5.6	3.33	2	40	24
KRS30930	24 V DC	20	28	1.26	0.77	30.3	18.18

All technical data at 20°C/at 120°C the performance are less 20% , all electromagnetic clutches are reversible .



25402



25602

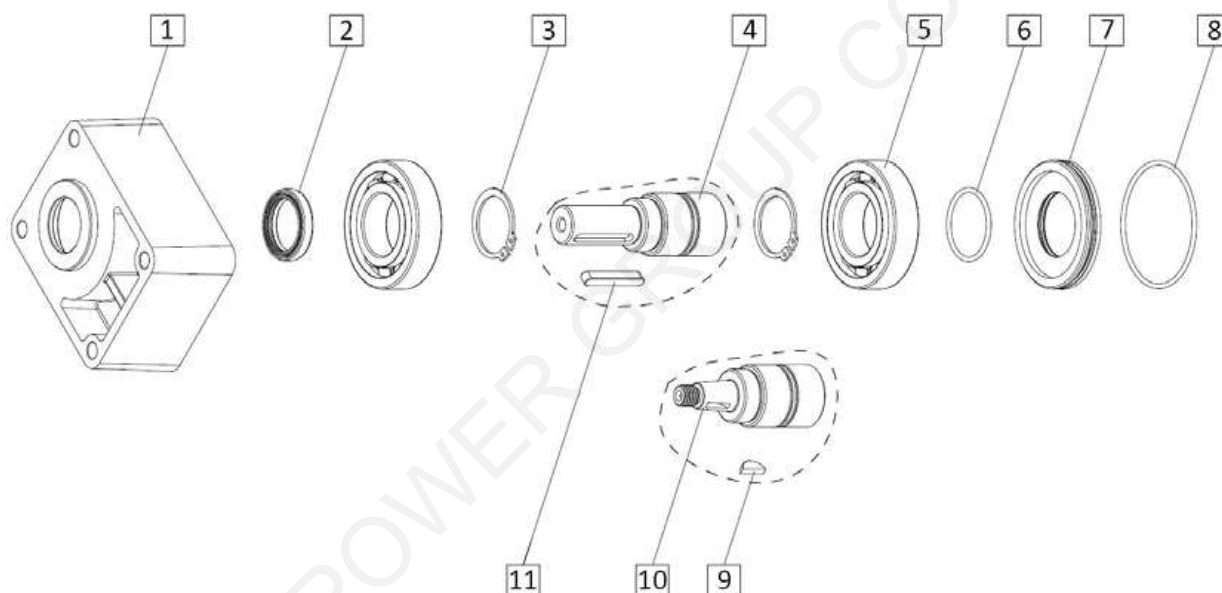


25403

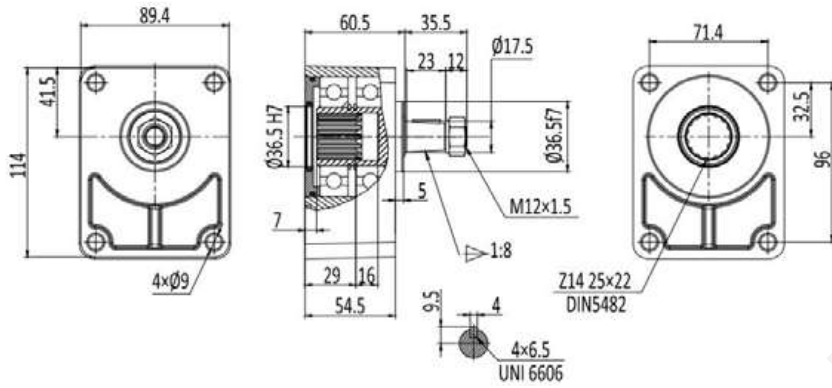


25603

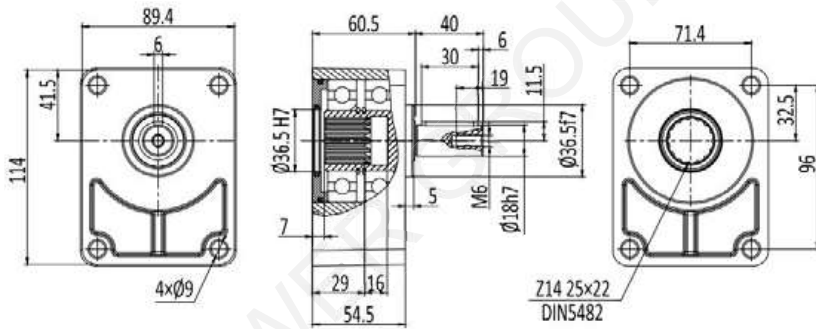
Spare parts:



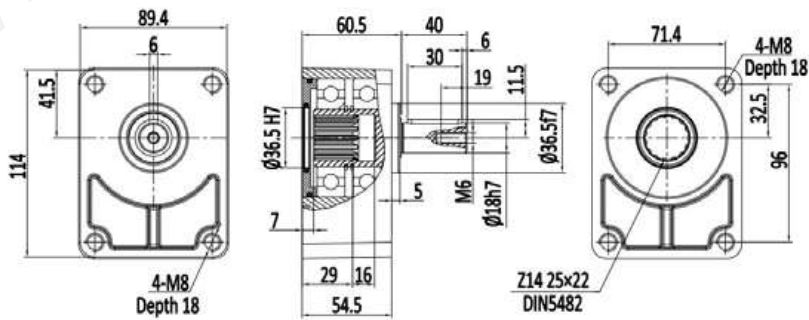
No.	Description	Quantity	No.	Description	Quantity
1	Housing	1	7	End cover	1
2	Sealing ring	2	8	O-ring	1
3	Snap ring	2	9	Woodruff key	1
4	Flat key shaft	1	10	Taper shaft	1
5	Bearing	2	11	Flat key	1
6	O-ring	1			



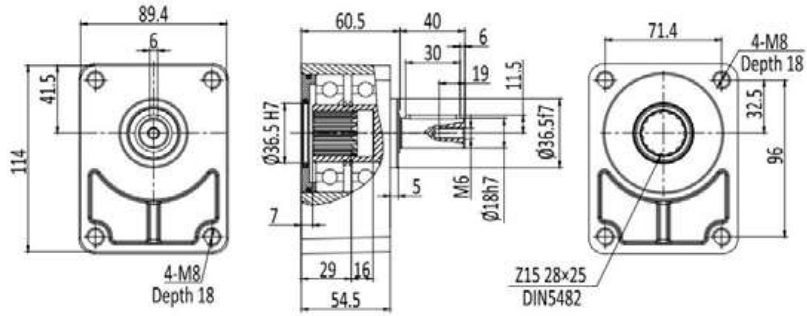
25402



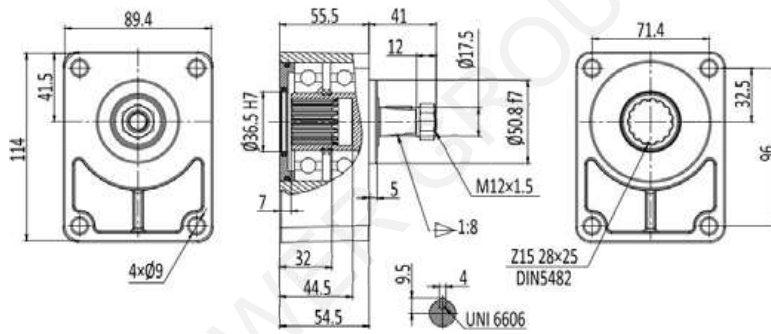
25602



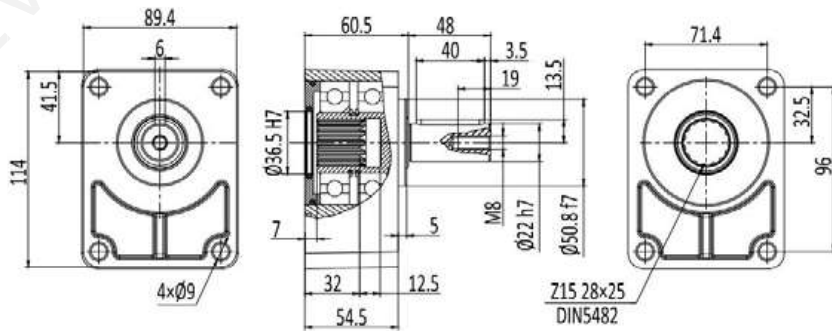
25602-1



25602-2



25403



25603



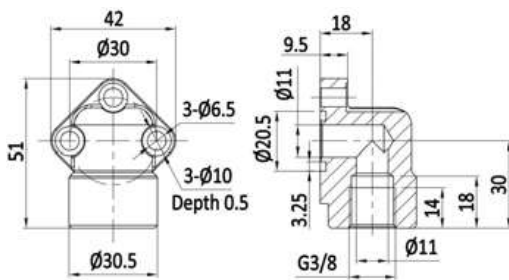
EPA1-038



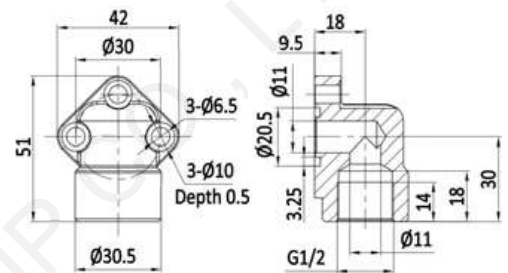
EPA2-012



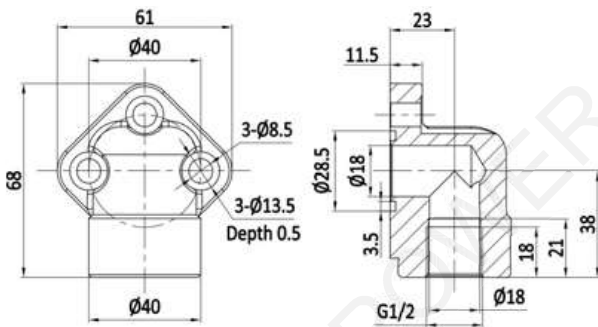
EPA3-100



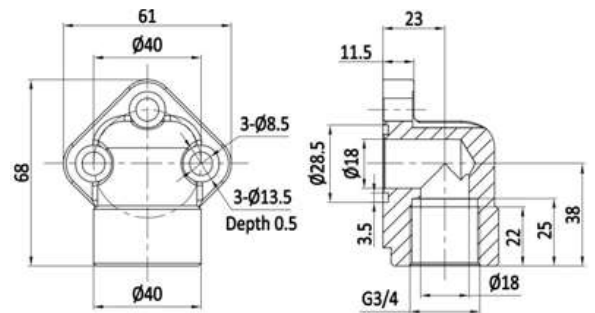
EPA1-038



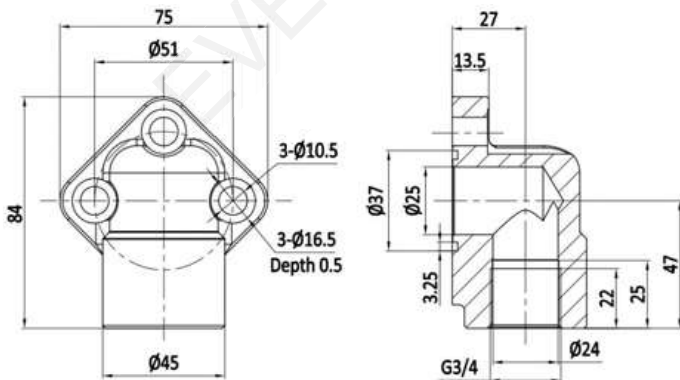
EPA1-012



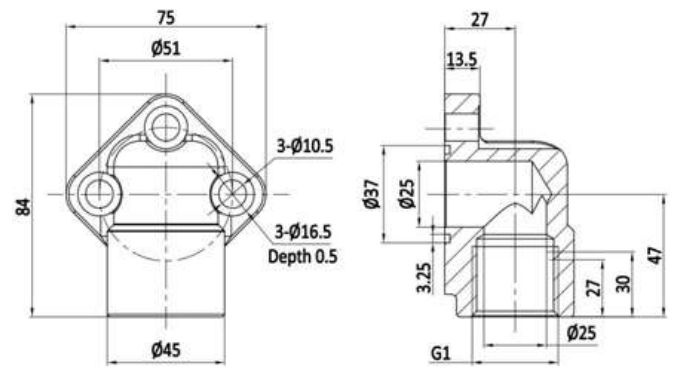
EAP2-012



EPA2-034



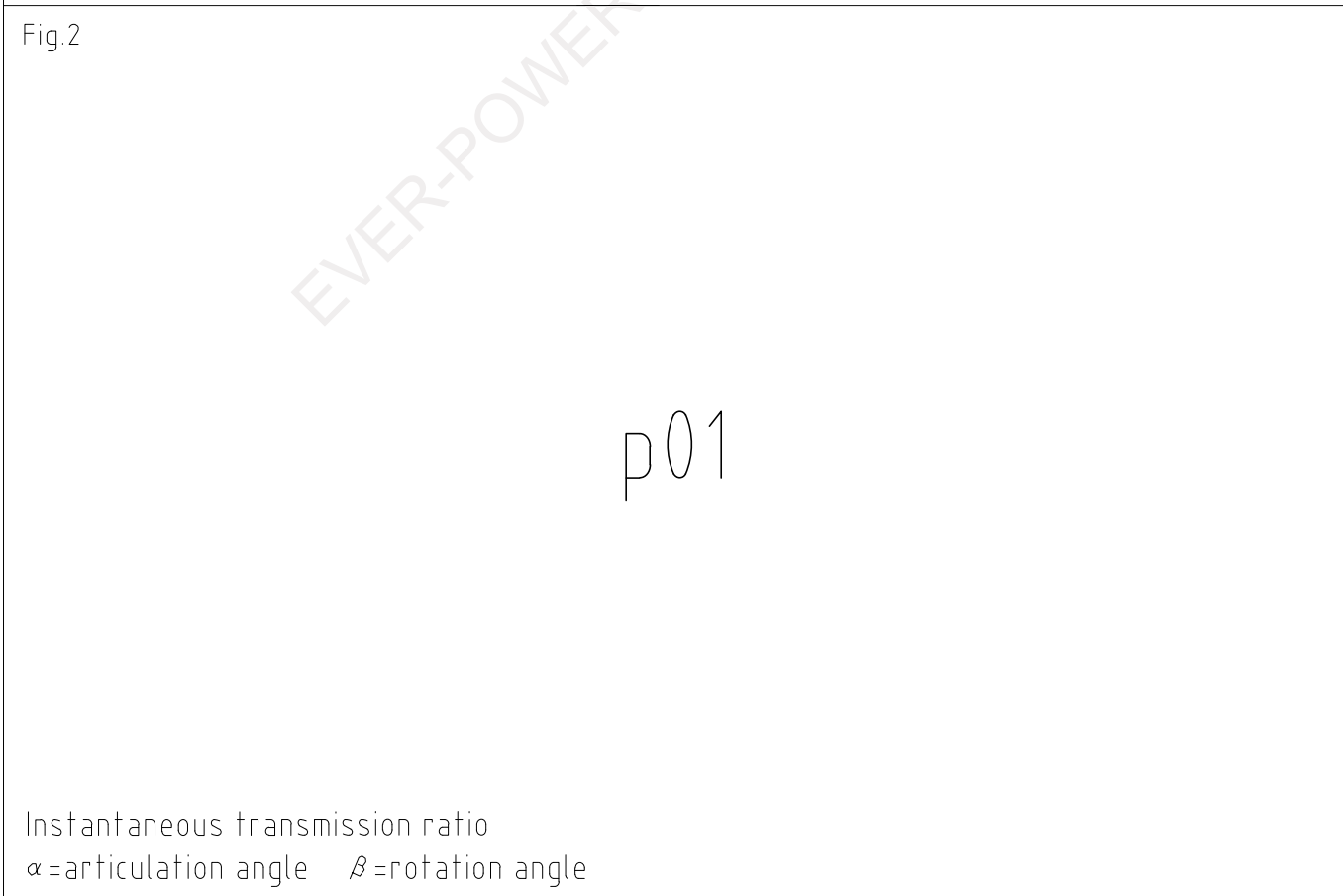
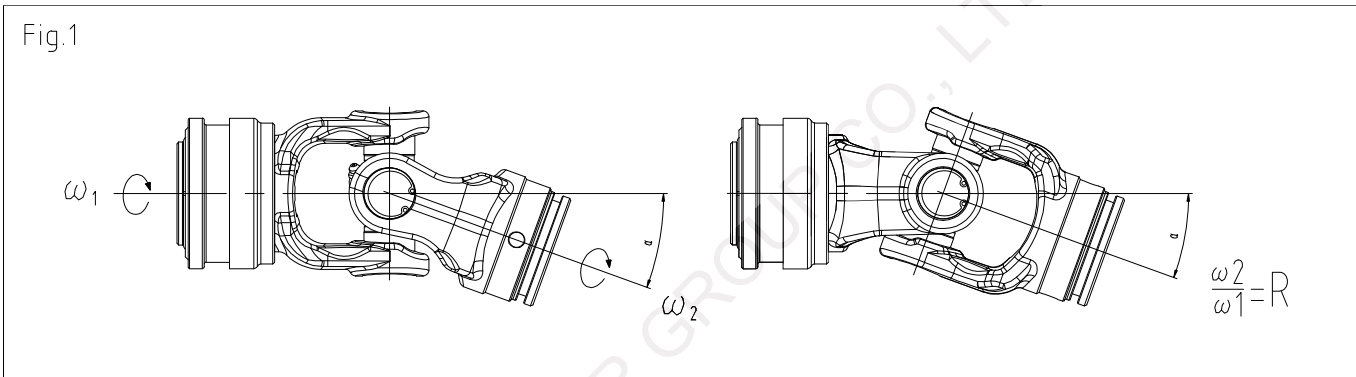
EPA3-034



EPA3-100

Cardan joint theory

The PTO drive shaft for agricultural applications consists of two cardan joints and a telescopic coupling. The cardan joint, consisting of two yokes and a cross, is the element used to transmit the motion between two tilted axles. The cardan joint construction is designed so that during rotation, the speed of the output shaft is not always equal to that of the input shaft and this difference in speed depends on the articulation angle of the joint (Fig. 1). The transmission ratio versus the articulation angle and the rotation angle is represented in Fig. 2. The more the ratio deviates from 1 the greater becomes the irregularity of the motion, thus generating undesirable effects (vibrations, noise, inertial stress).



Kinematic characteristics

The standard PTO drive shaft consists of two cardan joints. The irregularities of the single joints thus can be cancelled or mutually combined. When the articulation angles of the two joints are equal (see configuration W or Z in Fig. 3) the transmission is uniform, i.e. The speed of the output yoke is always equal to the speed of the input yoke, thus eliminating the undesirable effects. In all the other angulations (Fig. 4), an irregularity always remains that can be evaluated with the graph on the following page (Fig. 5).

Fig.3

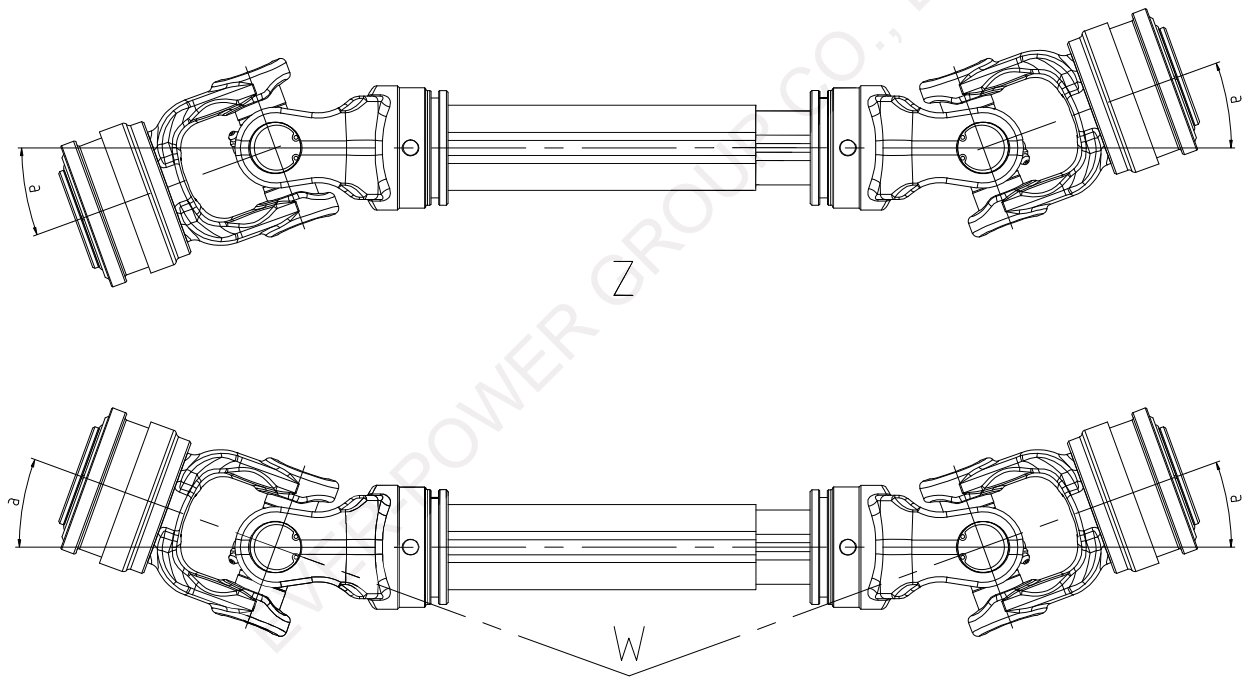
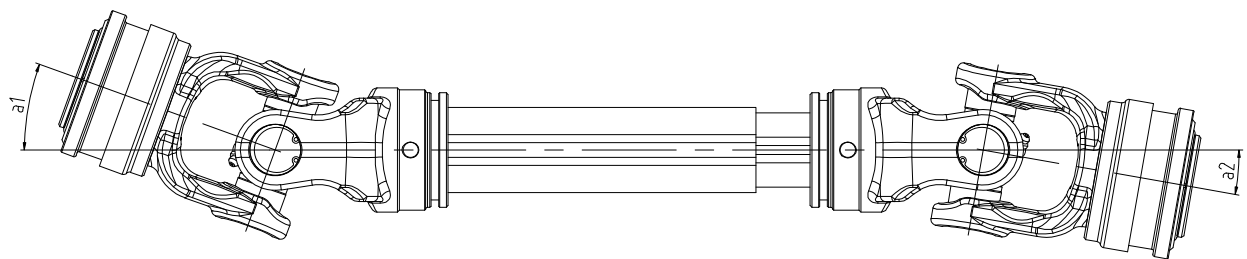


Fig.4



PTO Drive shaft rotation irregularity alignment chart

Irregularity "i" of the motion depends on the articulation of the two cardan joints and on the difference between the articulations of the two joints (see the example: with angular difference being equal, the irregularity is greater if the articulations of the single joints are greater).

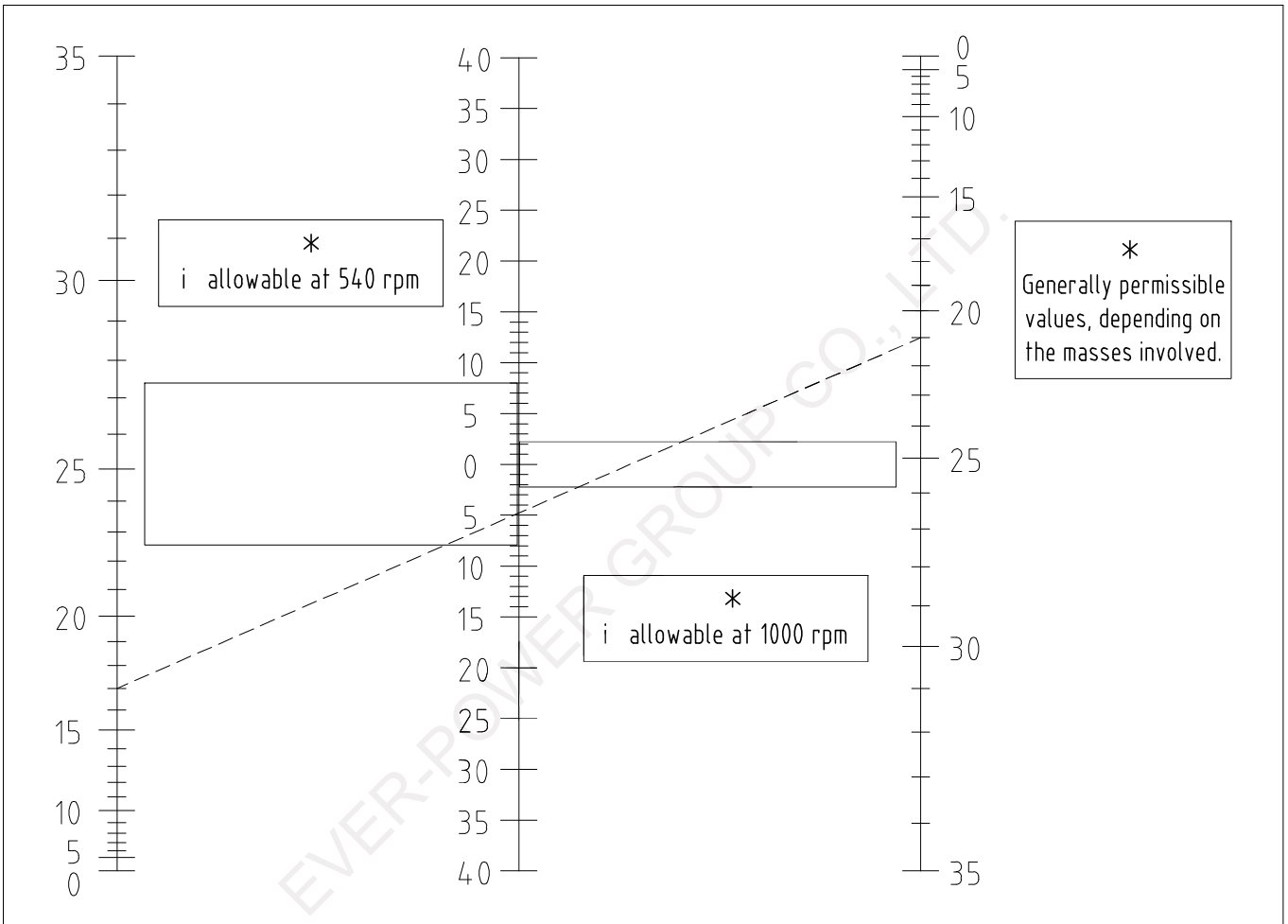
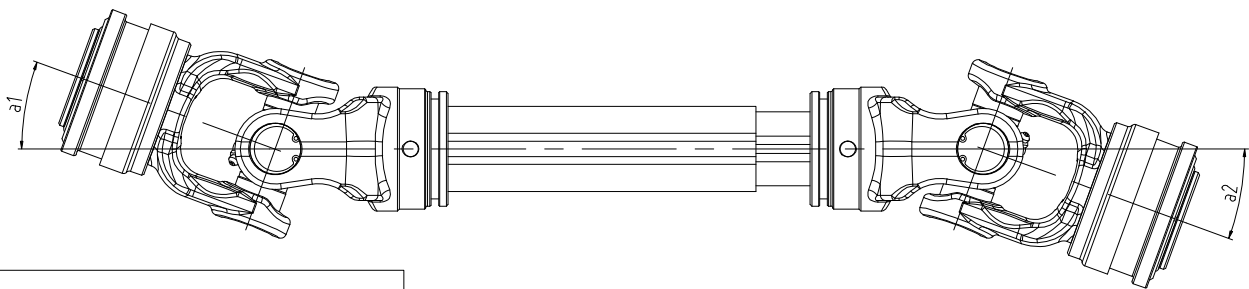


Fig.5



Example:
 $a_1 = 0^\circ, a_2 = 4^\circ, a_1 - a_2 = 4^\circ$
 $i = 0,5\%$
 $a_1 = 21^\circ, a_2 = 25^\circ, a_1 - a_2 = 4^\circ$
 $i = 6\%$

Constant velocity joint CVJ

The CvJ (Constant Velocity Joint) is a double universal joint with a centering system that equally divides the articulation angle between the two yokes (W configuration). The speed of the output yoke is always equal to the input speed and there are no rotation irregularities. In a PTO drive shaft with a CvJ joint and a standard joint (Fig. 6), the total irregularity is caused only by the standard joint, that therefore must work with small articulation angles. For high work angles at the two ends of the shaft, two CvJ joints must be used (Fig. 7). The CvJ joint can work with high articulation angles only for brief periods (ex.: while steering). Absolute quality And reliability of the CvJ construction are ensured by the ball bridge welded to the yoke which considerably reduces stress and consequently wears in the ball-cylinder contact zone and in the splined coupling between the shaft and the yoke.

Fig.6

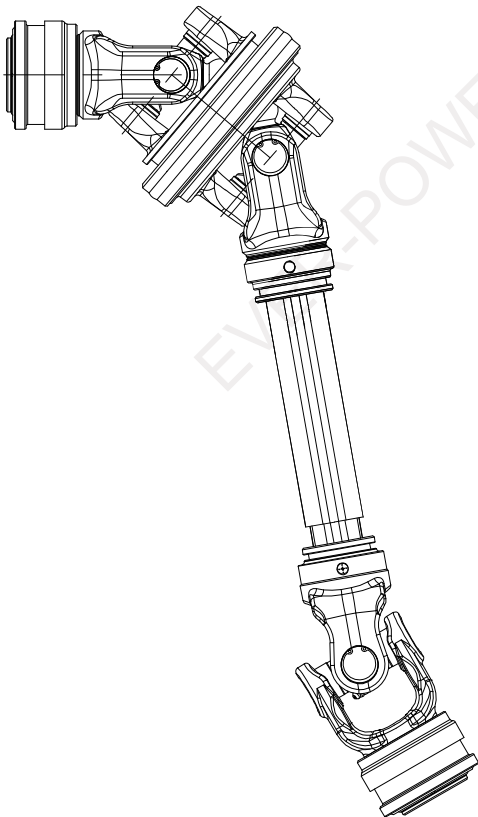
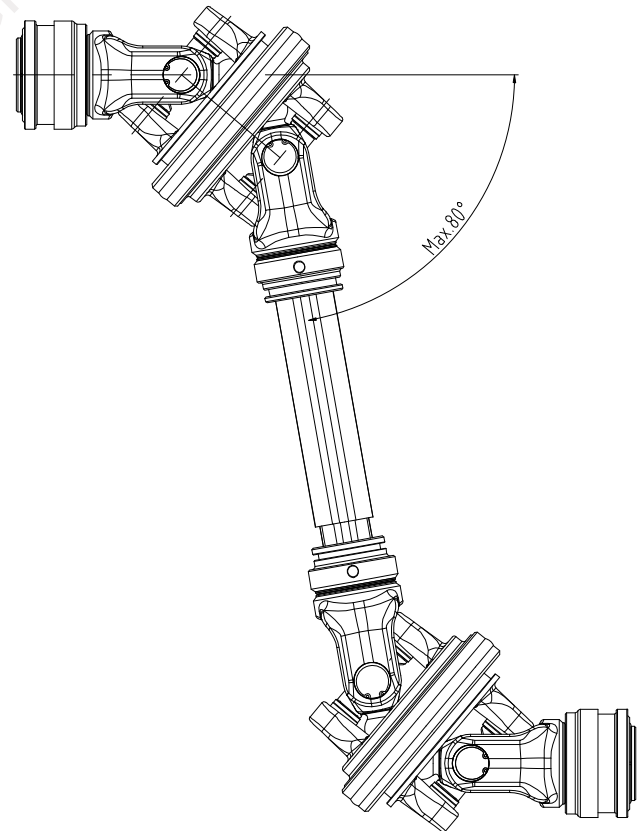
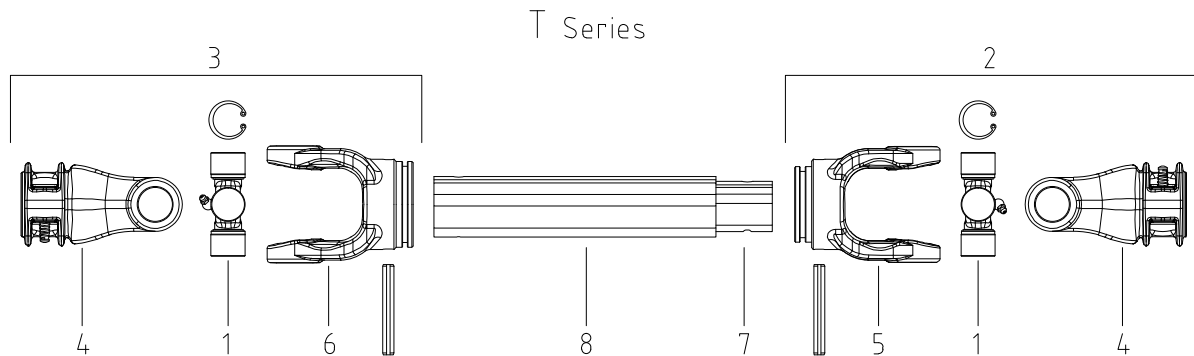
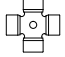

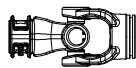

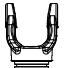





Fig.7



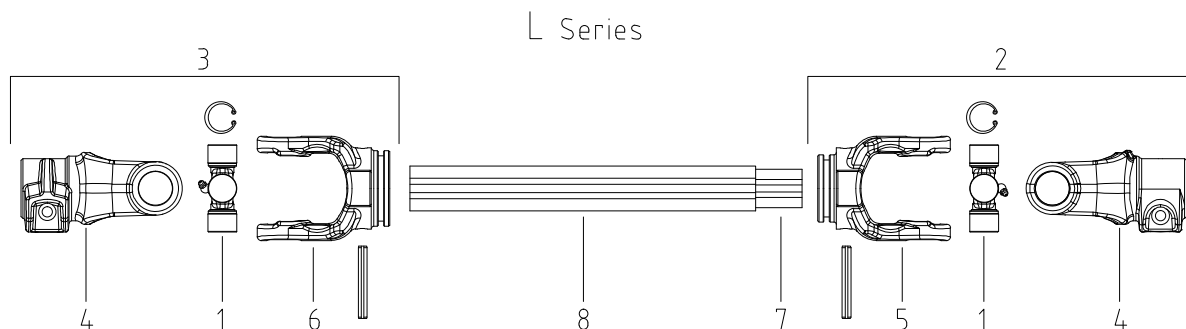
PTO drive shaft T Series



Type	Cross 	Joint simple		Spline yoke 	Tube yoke		Tube	
		Inner 	Outer 		Inner 	Outer 	Inner 	Outer 
	1	2	3	4	5	6	7	8
T110	22x54	T110001	T110002	G110138	T1226	T1233	T263	T332
T220	23.8x61.2	T220001	T220002	G220138	T2229	T2236	T293	T363
T311	27x70	T311001	T311002	G311138	T3236	T3243	T363	T433
T421	27x74.6	T421001	T421002	G421138	T4236	T4243	T364	T433
T500	30.2x80	T500001	T500002	G500138	T5245	T5252	T454	T523
T622	30.2x92	T622001	T622002	G622138	T6245	T6254	T454	T544
T723	30.2x106.5	T723001	T723002	G723138	T7245	T7254	T455	T544
T7N	34.9x94	T7N001	T7N002	G7N138	T7N245	T7N254	T455	T544
T824	34.9x106.5	T824001	T824002	G824138	T8254	T8263	T544	T634

Operating torque							
Type	540 tr./min			1000 tr./min			Nm
	Kw	pk	Nm	Kw	pk	Nm	
T110	12	16	210	18	25	172	320
T220	15	21	270	23	31	220	450
T311	22	30	390	35	47	330	640
T421	26	35	460	40	55	380	780
T500	35	47	620	54	74	520	1050
T622	47	64	830	74	100	710	1450
T723	55	75	970	87	118	830	1800
T7N	55	75	970	87	118	830	1800
T824	70	95	1240	110	150	1050	2250

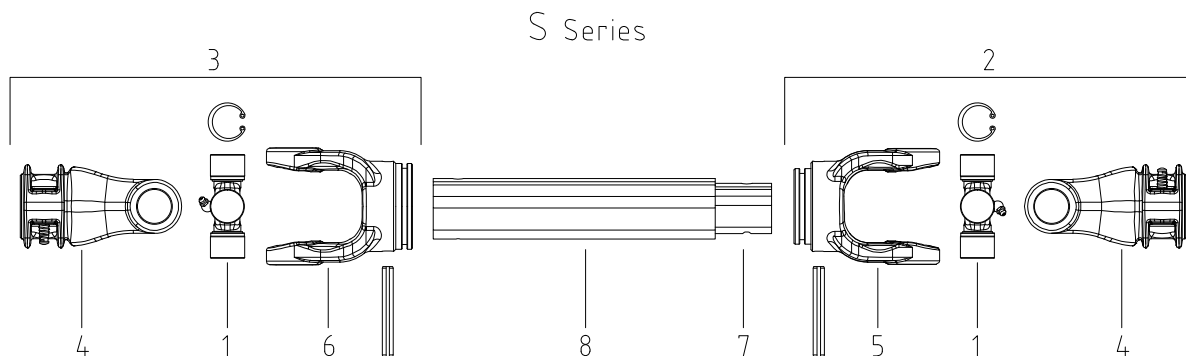
PTO drive shaft L Series



Type	Cross	Joint simple		Spline yoke	Tube yoke		Tube	
		Inner	Outer		Inner	Outer	Inner	Outer
	1	2	3	4	5	6	7	8
L2100(L010)	22x55	L010001	L010002	G010138	L010223	L010230	L235	L303
L2200(L220)	23.8x61.2	L220001	L220002	G220138	L220234	L220241	L344	L413
L311	27x70	L311001	L311002	G311138	L311234	L311241	L344	L413
L2300(L421)	27x74.6	L421001	L421002	G421138	L421234	L421241	L344	L413
		L421003	L421004		L421239	L421248	L395	L484
L622	30.2x92	L622001	L622002	G622138	L622239	L622248	L395	L484
L2400(035)	32x76	L035001	L035002	G035138	L035239	L035248	L395	L484

Operating torque							
Type	540 tr./min			1000 tr./min			Nm
	Kw	pk	Nm	Kw	pk	Nm	
L2100(L010)	12	16	210	18	24	175	1100
L2200(L220)	20	27	335	31	42	295	1750
L311	22	30	390	35	47	330	1950
L2300(L421)	28	38	500	44	60	415	2350
L2300S(L421)	32	43	575	52	71	450	2800
L622	35	49	600	58	78	525	3200
L2400(035)	39	53	695	61	83	580	3800

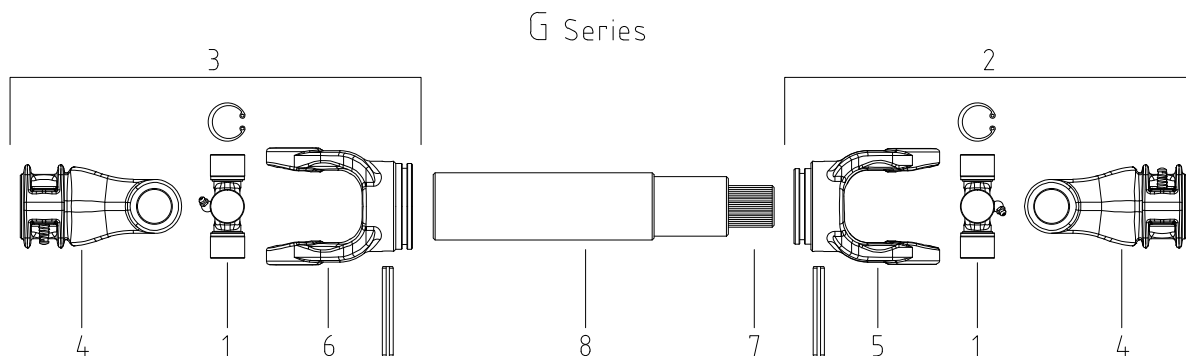
PTO drive shaft S Series



Type	Cross	Joint simple		Spline yoke	Tube yoke		Tube	
		Inner	Outer		Inner	Outer	Inner	Outer
	1	2	3	4	5	6	7	8
S622	30.2x92	S622001	S622002	G622138	S622251	S622261	S510	S614
S723	30.2x106.5	S723001	S723002	G723138	S723251	S723261	S510	S614
S824	34.9x106.5	S824001	S824002	G824138	S824251	S824261	S510	S614
2400(035)	32x76	S035001	S035002	G035138	S035251	S035261	S510	S614
2500(036)	36x88.8	S036001	S036002	G036138	S036251	S036261	S510	S614
2600(026)	42x104	S026001	S026002	G026138	S026251	S026261	S614	S710

Operating torque							
Type	540 tr./min			1000 tr./min			Nm
	Kw	pk	Nm	Kw	pk	Nm	
S622	47	64	830	74	100	710	2700
S723	36	56	780	75	92	550	3400
S824	45	77	890	82	110	780	4200
2400(035)	55	75	970	87	118	830	5200
2500(036)	66	90	1175	102	139	975	6000
2600(026)	79	107	1400	122	166	1165	7800

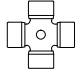
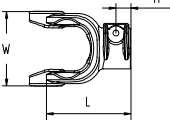

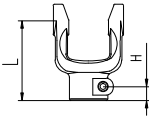
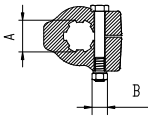
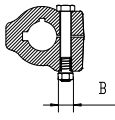
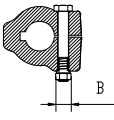
PTO drive shaft G Series



Type	Cross	Joint simple		Spline yoke	Tube yoke		Shaft	Tube
		Inner	Outer		Inner	Outer		
	1	2	3	4	5	6	7	8
G500	30.2x80	G500001	G500002	G500138	G5004012	G500C58	G40-Z12	58x3
G622	30.2x92	G622001	G622002	G622138	G6224012	G622C58	G40-Z12	58x3
G7N	34.9x94	G7N001	G7N002	G7N138	G7N4514	G7NC65	G45-Z14	65x3.5
G824	34.9x106.5	G824001	G824002	G824138	G8244514	G824C65	G45-Z14	65x3.5
G2600(G026)	42x104	G026001	G026002	G026138	G0265520	G026C75	G55-Z20	75x4

Operating torque							
Type	540 tr./min			1000 tr./min			Nm
	Kw	pk	Nm	Kw	pk	Nm	
G500	35	47	620	54	74	520	1050
G622	47	64	830	74	100	710	1450
G7N	55	75	970	87	118	830	1800
G824	70	95	1240	110	150	1050	2250
G2600(G026)	80	120	1560	140	190	1340	2900

Spare parts for PTO drive shaft

													
Type	Cross	W	H	L	S	Code 1	H	L	A	B	Code 2	Code 3	Code 4
110	22x54	62	21	92	1 3/8"-Z6	A110138	14	89	1 3/8"-Z6	M10	A110538	AE110332	AE110322
						A110121				M10		1 1/4" BORE 1/4" 3/8" KEY	7/8" BORE 1/4" KEY
										M10		AE110335	AE110325
												1 3/8" BORE 1/4" 3/8" KEY	1" BORE 1/4" KEY
220	23.8x61.2	68	21	98	1 1/8"-Z6	A220118	20	98	1 3/8"-Z6	M10	A220538	AE220332	AE220322
						A220138				M10		1 1/4" BORE 1/4" 3/8" KEY	7/8" BORE 1/4" KEY
						A220121				M10		AE220335	AE220325
												1 3/8" BORE 1/4" 3/8" KEY	1" BORE 1/4" KEY
311	27x70	78	21	102	1 1/8"-Z6	A311118	22	102	1 3/8"-Z6	M12	A311538	AE311332	AE311322
						A311138				M12		1 1/4" BORE 1/4" 3/8" KEY	7/8" BORE 1/4" KEY
						A311121				M12		AE311335	AE311325
												1 3/8" BORE 1/4" 3/8" KEY	1" BORE 1/4" KEY
421	27x74.6	84	21	108	1 1/8"-Z6	A421118	22	108	1 3/8"-Z6	M12	A421538	AE421332	AE421322
						A421138				M12		1 1/4" BORE 1/4" 3/8" KEY	7/8" BORE 1/4" KEY
						A421121				M12		AE421335	AE421325
												1 3/8" BORE 1/4" 3/8" KEY	1" BORE 1/4" KEY
500	30.2x80	92	21	111	1 3/8"-Z6	A500138	22	111	1 3/8"-Z6	M12	A500538	AE500332	AE500322
						A500121				M12		1 1/4" BORE 1/4" 3/8" KEY	7/8" BORE 1/4" KEY
										M12		AE500335	AE500325
												1 3/8" BORE 1/4" 3/8" KEY	1" BORE 1/4" KEY
622	30.2x92	104	21	118	1 3/8"-Z6	A622138	22	118	1 3/8"-Z6	M12	A622538	AE622332	AE622322
						A622121				M12		1 1/4" BORE 1/4" 3/8" KEY	7/8" BORE 1/4" KEY
						A622134				M12		AE622335	AE622325
						A622120						1 3/8" BORE 1/4" 3/8" KEY	1" BORE 1/4" KEY

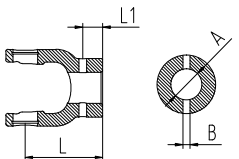
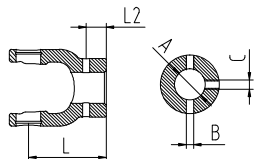
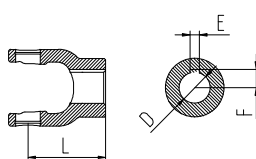
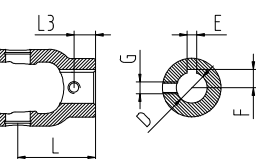
Spare parts for PTO drive shaft

Type																				
	L	L1	A	B	Code 5	L2	C	Code 6	D	E	F	Code 7	L3	G	Code 8					
110	80	20	20	6	A110020	15	M6	A110020S	20	6	12.8	AE110020	20	M6	AE110020S					
			22	8	A110022			A110022S	22		13.8	AE110022			AE110022S					
			25	8	A110025			A110025S	25	8	15.8	AE110025			AE110025S					
			30	10	A110030			A110030S	30		18.3	AE110030			AE110030S					
			31.8	10	A110032			A110032S	18.5											
220	84	20	20	6	A220020	15	M6	A220020S	20	6	12.8	AE220020	20	M6	AE220020S					
			22	8	A220022			A220022S	22		13.8	AE220022			AE220022S					
			25	8	A220025			A220025S	25	8	15.8	AE220025			AE220025S					
			30	10	A220030			A220030S	30		18.3	AE220030			AE220030S					
			31.8	10	A220032			A220032S	18.5											
311	92	20	20		A311020	20	M6	A311020S	20	6	12.8	AE311020	20	M6	AE311020S					
			22	8	A311022			A311022S	22		13.8	AE311022			AE311022S					
			25	8	A311025			A311025S	25	8	15.8	AE311025			AE311025S					
			30	10	A311030			A311030S	30		18.3	AE311030			AE311030S					
			35	13	A311035			A311035S	35	10	20.8	AE311035			AE311035S					
421	92	20	22	8	A421020	20	M6	A421020S	22	6	13.8	AE421022	20	M6	AE421022S					
			25	8	A421025			A421025S	25		8	15.8			AE421025	AE421025S				
			30	10	A421030			A421030S	30	18.3		AE421030			AE421030S					
		25	31.8	10	A421032			A421032S	35	10	20.8	AE421035			AE421035S					
			35	13	A421035			A421035S	15	M8										
500	98	20	30	10	A500030	20	M6	A500030S	30	8	18.3	AE500030	20	M8	AE500030S					
			35	13	A500035		M8	A500035S	35	10	20.8	AE500035		M10	AE500035S					
			40	13	A500040		M10	A500040S	40	12	23.3	AE500040		M12	AE500040S					
500	98	20	30	10	A500030	20	M6	A500030S	30	8	18.3	AE500030	20	M8	AE500030S					
			35	13	A500035		M8	A500035S	35	10	20.8	AE500035		M10	AE500035S					
			40	13	A500040		M10	A500040S	40	12	23.3	AE500040		M12	AE500040S					
622	105	20	30	10	A622030	20	M6	A622030S	30	8	18.3	AE622030	20	M8	AE622030S					
			35		A622035		M8	A622035S	35	10	20.8	AE622035		M10	AE622035S					
			40	13	A622040		M10	A622040S	40	12	23.3	AE622040		M12	AE622040S					
			42		A622042			A622042S	42		24.3	AE622042			AE622042S					

Spare parts for PTO drive shaft

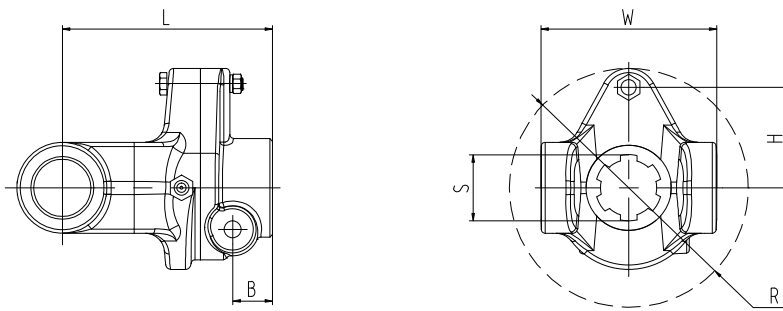
Type		Cross	W	H	L	S	Code 1	H	L	A	B	Code 2	Code 3	Code 4
723	30.2x106.5	117	21	130	1 3/8"-Z6	A723138	20	122	1 3/8"-Z6	M12	A723538	AE723335	1 3/8"BORE 1/4"-3/8"KEY	AE7N338
					1 3/8"-Z21	A723121			M12	1 1/2"BORE 1/4"-3/8"KEY				
					1 3/4"-Z6	A723134								
					1 3/4"-Z20	A723120								
7N	32x94	107	21	125	1 3/8"-Z6	A7N138	20	120		M12	A7N335	1 3/8"BORE 1/4"-3/8"KEY	AE7N338	1 1/2"BORE 1/4"-3/8"KEY
					1 3/8"-Z21	A7N121			M12					
					1 3/4"-Z6	A7N134								
					1 3/4"-Z20	A7N120								
824	34.9x106.5	118	21	128	1 3/8"-Z6	A824138	20	120	1 3/8"-Z6	M16	A824538	AE824335	1 3/8"BORE 1/4"-3/8"KEY	AE824338
					1 3/8"-Z21	A824121			M16	1 1/2"BORE 1/4"-3/8"KEY				
					1 3/4"-Z6	A824134				A824534				
					1 3/4"-Z20	A824120				A824520				
2400(035)	32x76	90	21	111	1 3/8"-Z6	A035138	24	116	1 3/8"-Z6	M12	A035538	AE035332	1 1/4"BORE 1/4"-3/8"KEY	AE035335
					1 3/8"-Z21	A035121			M12	1 3/8"BORE 1/4"-3/8"KEY				
					1 3/4"-Z6	A035134			M12	1 1/2"BORE 1/4"-3/8"KEY				
					1 3/4"-Z20	A035120								
2500(036)	36x88.8	100	21	128	1 3/8"-Z6	A036138	24	116	1 3/8"-Z6	M16	A036538		A036521	A036534
			24		1 3/8"-Z21	A036121			M16					
					1 3/4"-Z6	A036134			M16	A036520				
					1 3/4"-Z20	A036120			M16					
2600(026)	42x104	120	21	140	1 3/8"-Z6	A026138	24	130	1 3/8"-Z6	M16	A026538		A026521	A026534
			24		1 3/8"-Z21	A026121			M16					
					1 3/4"-Z6	A026134			M16	A026520				
					1 3/4"-Z20	A026120			M16					

Spare parts for PT0 drive shaft

Type															
	L	L1	A	B	Code 5	L2	C	Code 6	D	E	F	Code 7	L3	G	Code 8
723	117	25	35	13	A723035	25	M8	A723035S	35	10	20.8	AE723035	25	M10	AE723035S
			40		A723040		M10	A723040S	40	12	23.3	AE723040		M12	AE723040S
			42		A723042		A723042S	42	24.3	AE723042	M14	AE723042S			
			45		A723045		A723045S	45	14	26.3	AE723045	M14		AE723045S	
7N	106	20	35	13	A7N035	20	M8	A7N035S	35	10	20.8	AE7N035	20	M10	AE7N035S
			40		A7N040		M10	A7N040S	40	12	23.3	AE7N040		M12	AE7N040S
			42		A7N042		A7N042S	42	24.3	AE7N042	M14	AE7N042S			
			45		A7N045		A7N045S	45	14	26.3	AE7N045	M14		AE7N045S	
824	120	25	35	13	A824035	25	M8	A824035S	35	10	20.8	AE824035	25	M10	AE824035S
			40		A723040		M10	A824040S	40	12	23.3	AE824040		M12	AE824040S
			42		A723042		A824042S	42	24.3	AE824042	M14	AE824042S			
			45		A723045		A824045S	45	14	26.3	AE824045	M14		AE824045S	

EVER-POWER GROUP CO., LTD.

Shear bolt torque limiter SB Series

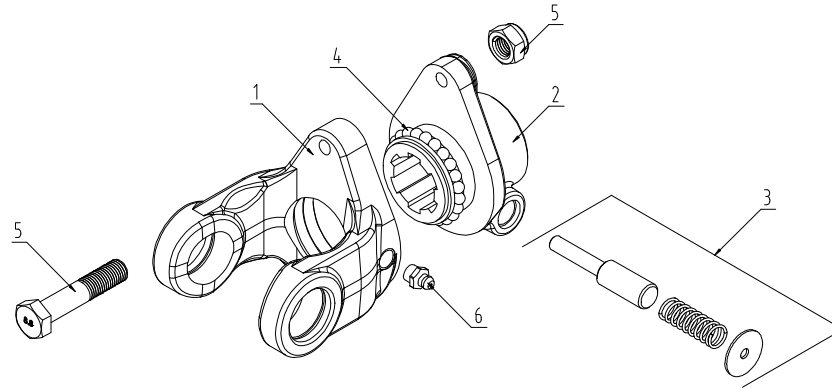


Series		W	L	B	R	S	H	Bolt+Uut CL.8.8	Torque Nm max.	Type
110	22x54	62	95	19	90	1 3/8"-Z6	35	M6	650	SB110138
						1 3/8"-Z21				SB110121
220	23.8x61.2	72	99	19	110	1 3/8"-Z6	45	M6	900	SB220138
						1 3/8"-Z21				SB220121
421	27x74.6	86	113	21	125	1 3/8"-Z6	48	M8	1400	SB421138
						1 3/8"-Z21				SB421121
500	30.2x80	92	111	21	135	1 3/8"-Z6	46	M10	2100	SB500138
						1 3/8"-Z21				SB500121
622	30.2x92	102	141	20	150	1 3/8"-Z6	55	M10	2100	SB622138
						1 3/8"-Z21				SB622121
						1 3/4"-Z6		M12	2500	SB622134
						1 3/4"-Z20				SB622120
824	34.9x106.5	118	148	20	150	1 3/8"-Z6	57	M12	3500	SB824138
						1 3/8"-Z21				SB824121
						1 3/4"-Z6				SB824134
						1 3/4"-Z20				SB824120
2400(035)	32x76	86	111	21	135	1 3/8"-Z6	46	M10	2100	SB035138
						1 3/8"-Z21				SB035121
2500(036)	36x88.8	102	141	20	150	1 3/8"-Z6	56	M10	2900	SB036138
						1 3/8"-Z21				SB036121
						1 3/4"-Z6				SB036134
						1 3/4"-Z20				SB036120
2600(026)	42x104	118	145	24	150	1 3/8"-Z6	56	M12	4200	SB026138
						1 3/8"-Z21				SB026121
						1 3/4"-Z6				SB026134
						1 3/4"-Z20				SB026120

NOTE: available on demand with interfering clamp bolt

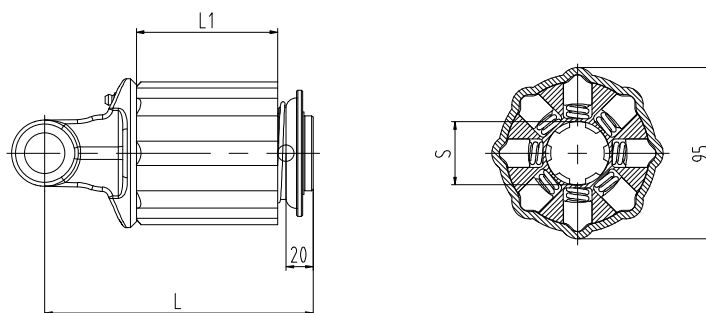
The torque limiter interrupts the power transmission when the torque exceeds the setting value, by shearing the bolt. Transmission is restored by inserting a new bolt in the device.

Shear bolt torque limiter SB Series



ITEM	Size	DeScription	Notes
1	110	Yoke	
	220		
	421		
	500		
	622		
	824		
	2400(035)		
	2500(036)		
	2600(026)		
2	110	Spline hub	Spline:1 3/8"-Z6 1 3/8"-Z21
	220		
	421		
	500		Spline:1 3/8"-Z6 1 3/8"-Z21 1 3/4"-Z6 1 3/4"-Z20
	622		
	824		
	2400(035)		
	2500(036)		
	2600(026)		
3		Push pin + spring	1 3/8" 1 3/4"
4	110/220/311	Ball	7/32"
	421/500		1/4"
	622/824		5/16"
5		Bolt + Nut CL.8.8	M6x40/M6x45/M8x50 M10x55/M10x60/M12x65
6		Greaser	M6x1 / M8x1

Ratchet torque limiter SA Series

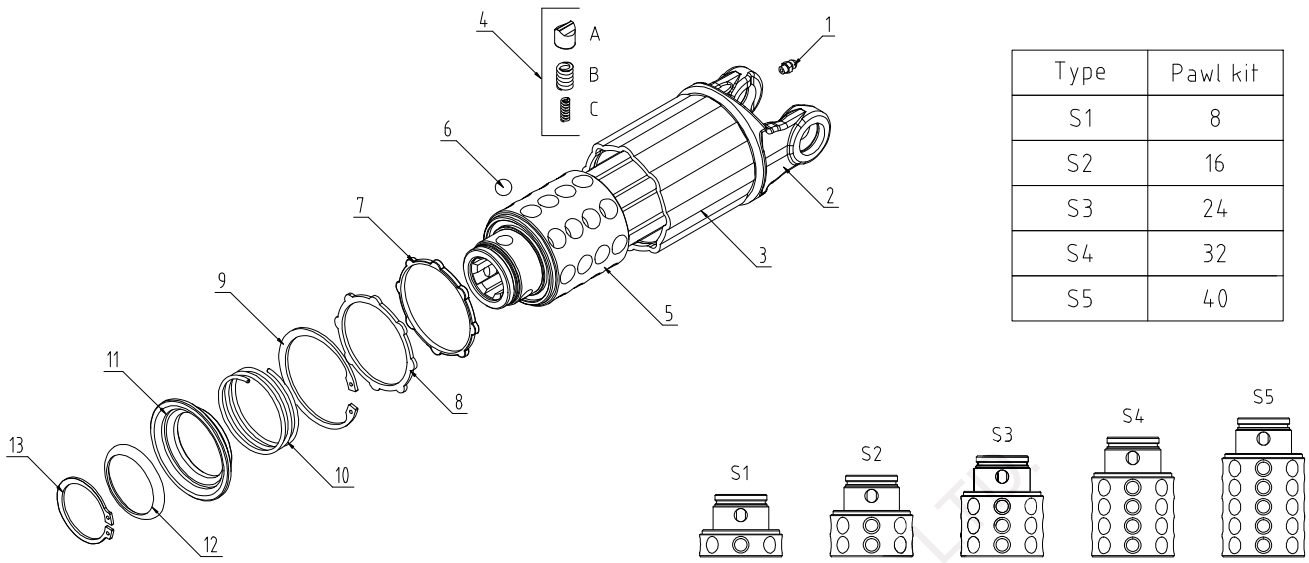


Series	Spline	L1	L	Limit.	Range	Torque Nm max.	S	Type *	
								1 3/8"-Z6	1 3/8"-Z21
110	22x54	38	112	S1	1	300	1 3/8"-Z6 1 3/8"-Z21	SA110138S1	SA110121S1
		57	131	S2	2	600		SA110138S2	SA110121S2
220	23.8x61.2	38	114	S1	1	300		SA220138S1	SA220121S1
		57	132	S2	2	600		SA220138S2	SA220121S2
		76	151	S3	3	900		SA220138S3	SA220121S3
311	27x70	57	141	S2	2	600		SA311138S2	SA311121S2
		76	171	S3	3	900		SA311138S3	SA311121S3
421	27x74.6	57	142	S2	2	600		SA421138S2	SA421121S2
		76	160	S3	3	900		SA421138S3	SA421121S3
		95	178	S4	4	1200		SA421138S4	SA421121S4
500	30.2x80	76	171	S3	3	900		SA500138S3	SA500121S3
		95	190	S4	4	1200		SA500138S4	SA500121S4
		114	209	S5	5	1500		SA500138S5	SA500121S5
622	30.2x92	76	171	S3	3	900		SA622138S3	SA622121S3
		95	190	S4	4	1200		SA622138S4	SA622121S4
		114	209	S5	5	1500		SA622138S5	SA622121S5
824	34.9x106.5	76	187	S3	3	900		SA824138S3	SA824121S3
		95	205	S4	4	1200		SA824138S4	SA824121S4
		114	224	S5	5	1500		SA824138S5	SA824121S5
2400(035)	32x76	76	171	S3	3	900		SA035138S3	SA035121S3
		95	190	S4	4	1200	SA035138S4	SA035121S4	
		114	209	S5	5	1500	SA035138S5	SA035121S5	
2500(036)	36x88.8	76	171	S3	3	900	SA036138S3	SA036121S3	
		95	190	S4	4	1200	SA036138S4	SA036121S4	
		114	209	S5	5	1500	SA036138S5	SA036121S5	

The torque limiter is activated when the operating torque exceeds the setting value. During the limiting phase, the device transmits reduced power in pulses. The elimination of the external cause and the reduction of the PTO speed allows the normal power transmission to be re-established. When the limiter is activated, it is recommended to disconnect the PTO to avoid unnecessary wear and overheating.

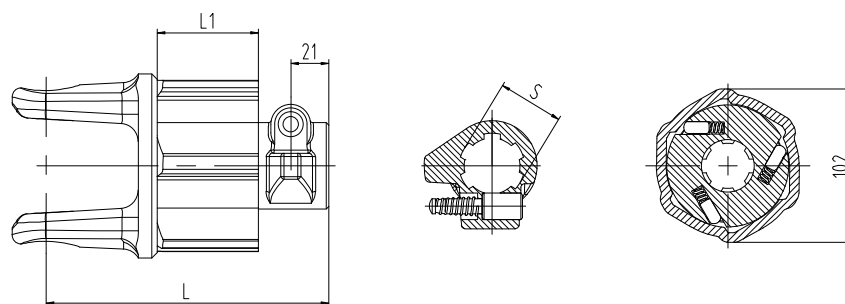
Type *: Spline manufacture is divided into two
 1 3/8"-Z6、1 3/8"-Z21 For example: SA110138S1、SA110121S1

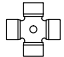
Ratchet torque limiter SA Series

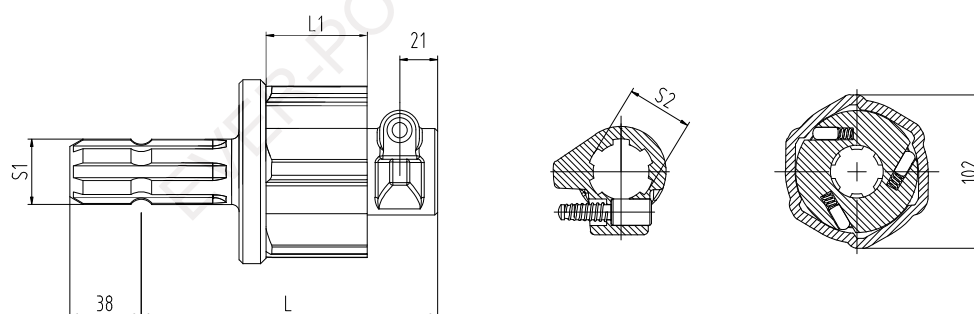


ITEM	Size	DeScription	Notes
1		Grease	M6x1
2	110	Yoke	
	220		
	311		
	421		
	500		
	622		
	824		
	2400(035)		
2500(036)			
3		Tube	L=38/57/76/95/144
4		Ratchet teeth and springs set	A: Ratchet tooth B: Outer spring C: Inner spring
5		Spline hub.--S1	13/8"-Z6 13/8"-Z21
		Spline hub.--S2	
		Spline hub.--S3	
		Spline hub.--S4	
		Spline hub.--S5	
6		Ball	1/2"
7		Retaining washer	
8		Grease protection	
9		Circlip	
10		Collar spring	
11		Sliding sleeve collar	
12		Snap ring	
13		Circlip	

Overrunning clutch RA1 / RA2 / RA1S / RA2S Series



Series		L1	L	Torque Nm max.	S	Type	
						1 3/8"-Z6	1 3/8"-Z21
110	22x54	37	125	2400	1 3/8"-Z6 1 3/8"-Z21	RA1-110138	RA1-110121
220	23.8x61.2	37	130	2400		RA1-220138	RA1-220121
311	27x70	37	132	2400		RA1-311138	RA1-311121
421	27x74.6	37	138	2400		RA1-421138	RA1-421121
		55	156	3800		RA2-421138	RA2-421121
500	30.2x80	55	165	3800		RA2-500138	RA2-500121
622	30.2x92	55	167	3800		RA2-622138	RA2-622121
824	34.9x106.5	55	182	3800		RA2-824138	RA2-824121

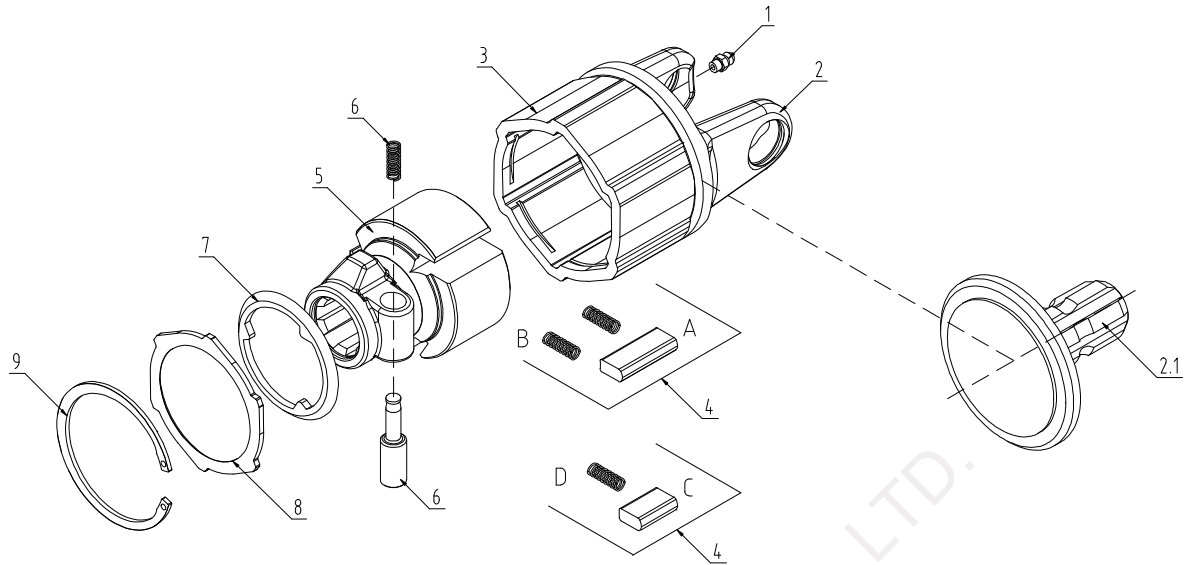


L1	L	Torque Nm max.	S1	S2	Type
37	129	2400	1 3/8"-Z6	1 3/8"-Z21	138RA1S121
55	147	3800	1 3/8"-Z21	1 3/8"-Z6	121RA2S138

NOTE: available upon request for anti-clockwise direction of rotation.

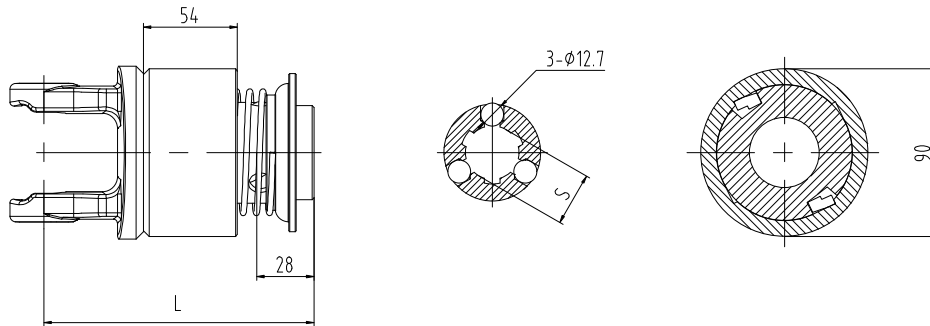
The device is used to transmit the motion in a single rotation direction, when the tractor drives the implement. During the stopping phase, with the tractor PTO disengaged and the implement still moving, the transmission is disconnected. This device is useful for operating machinery with high rotation inertia because during the stopping phase, the tractor PTO is dis-engaged from the driven machine.

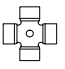
Overrunning clutch RA1 / RA2 / RA1S / RA2S Series

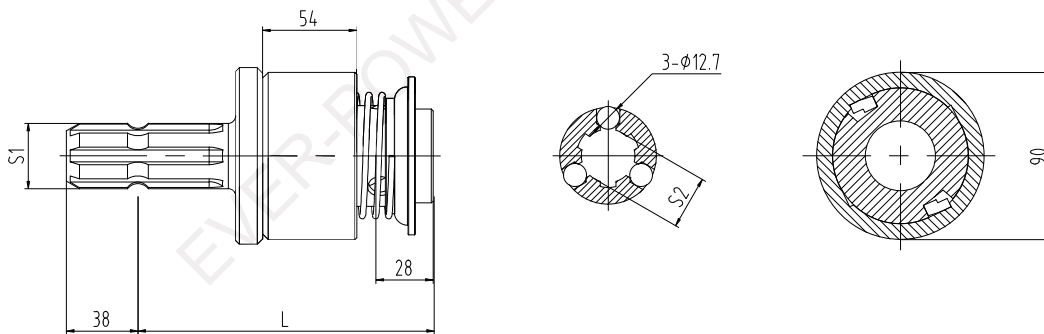


ITEM	Size	DeScription	Notes
1		Grease	M6x1
2	110	Flange yoke	
	220		
	311		
	421		
	500		
	622		
	824		
2.1		Spline hub.	1 3/8"-Z6 1 3/8"-Z21
3		Tube	L=37 / 56
4			A/C:Ratchet B/D:Spring
5		Spline hub.	1 3/8"-Z6 1 3/8"-Z21
6		Push pin + spring	∅14
7		Retaining washer	
8		Grease protection	
9		Circlip	

Overrunning clutch RL / RLS Series



Series		L	Torque Nm max.	S	Type	
					1 3/8"-Z6	1 3/8"-Z21
110	22x54	140	3000	1 3/8"-Z6 1 3/8"-Z21	RL110138	RL110121
220	23.8x61.2	143			RL220138	RL220121
311	27x70	165			RL311138	RL311121
421	27x74.6	150			RL421138	RL421121
500	30.2x80	155			RL500138	RL500121
622	30.2x92	162			RL622138	RL622121
824	34.9x106.5	177			RL824138	RL824121

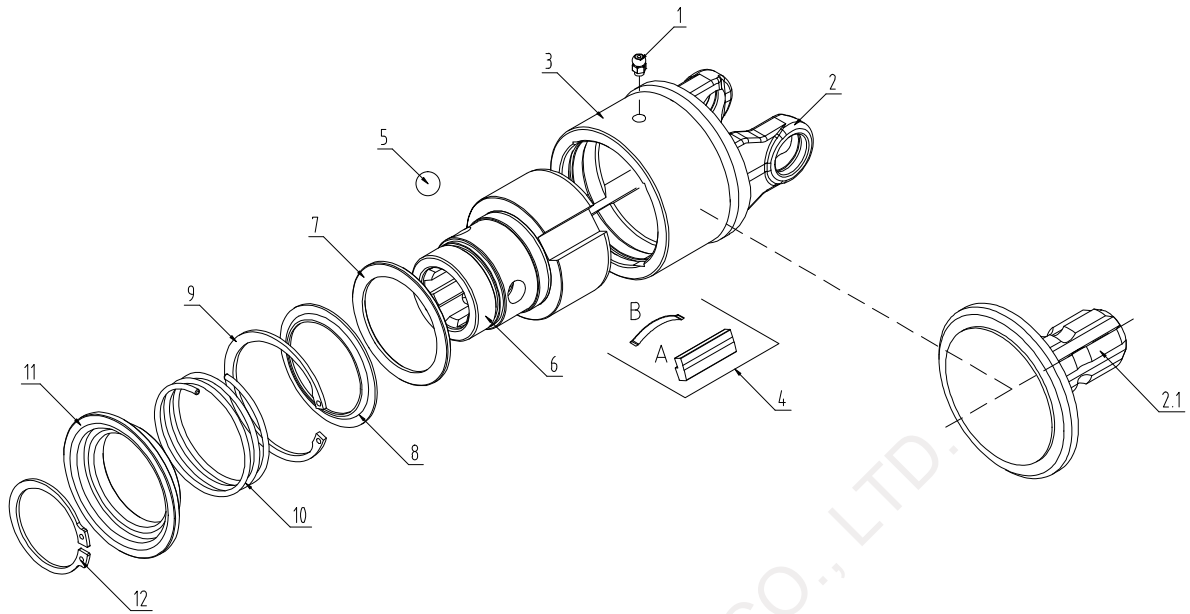


L	Torque Nm max.	S1	S2	Type
142	3800	1 3/8"-Z6	1 3/8"-Z21	138RLS121
		1 3/8"-Z21	1 3/8"-Z6	121RLS138

NOTE: available upon request for anti-clockwise direction of rotation.

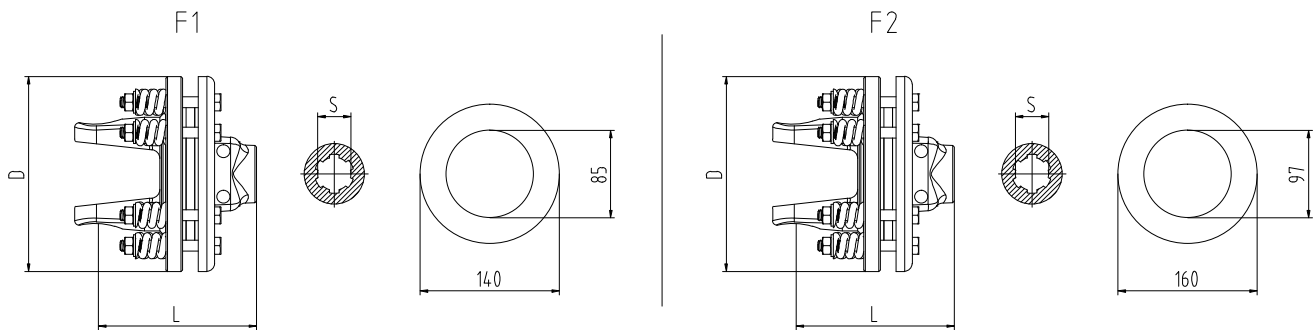
The device is used to transmit the motion in a single rotation direction, when the tractor drives the implement. During the stopping phase, with the tractor PTO disengaged and the implement still moving, the transmission is disconnected. This device is useful for operating machinery with high rotation inertia because during the stopping phase, the tractor PTO is dis-engaged from the driven machine.

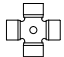
Overrunning clutch RL / RLS Series



ITEM	Size	DeScription	Notes
1		Grease	M6x1
2	110	Flange yoke	
	220		
	311		
	421		
	500		
	622		
824			
2.1		Spline hub.	1 3/8"-Z6 1 3/8"-Z21
3		Tube	L=54
4			A: Ratchet B: Leaf + Spring
5		Ball	1/2"
6		Spline hub.	1 3/8"-Z6 1 3/8"-Z21
7		Retaining washer ring	
8		Spring push ring	
9		Circlip	
10		Collar spring	
11		Sliding sleeve collar	
12		Circlip	

Friction torque limiter FFV1-FFV2 Series



Series		F1 - F2	S	D	L	Torque Nm max.	Type
421	27x74.6	F1	1 3/8"-Z6	180	154	900	FFV1421138
			1 3/8"-Z21				FFV1421121
		F2	1 3/8"-Z6	200		1200	FFV2421138
			1 3/8"-Z21				FFV2421121
500	30.2x80	F1	1 3/8"-Z6	180	154	900	FFV1500138
			1 3/8"-Z21				FFV1500121
		F2	1 3/8"-Z6	200		1200	FFV2500138
			1 3/8"-Z21				FFV2500121
622	30.2x92	F1	1 3/8"-Z6	180	161	900	FFV1622138
			1 3/8"-Z21				FFV1622121
		F2	1 3/8"-Z6	200		1200	FFV2622138
			1 3/8"-Z21				FFV2622121
			1 3/4"-Z6				FFV2622134
			1 3/4"-Z20				FFV2622120
824	34.9x106.5	F2	1 3/8"-Z6	200	169	1200	FFV2824138
			1 3/8"-Z21				FFV2824121
			1 3/4"-Z6				FFV2824134
			1 3/4"-Z20				FFV2824120
2400(035)	32x76	F2	1 3/8"-Z6	200	154	1200	FFVT2035138
			1 3/8"-Z21				FFVT2035121
			1 3/4"-Z6				FFVT2035134
			1 3/4"-Z20				FFVT2035120

The torque limiter is activated when the setting torque exceeds the calibration torque. During the torque peak limiting phase, the clutch continues to transmit power. The clutch is useful as a safety device to protect against load peaks and to start machines with high rotational inertia. It is recommended to ensure that the setting value is correct to avoid excessive heating of the friction discs (insufficient setting) or clutch seizing (excessive setting).

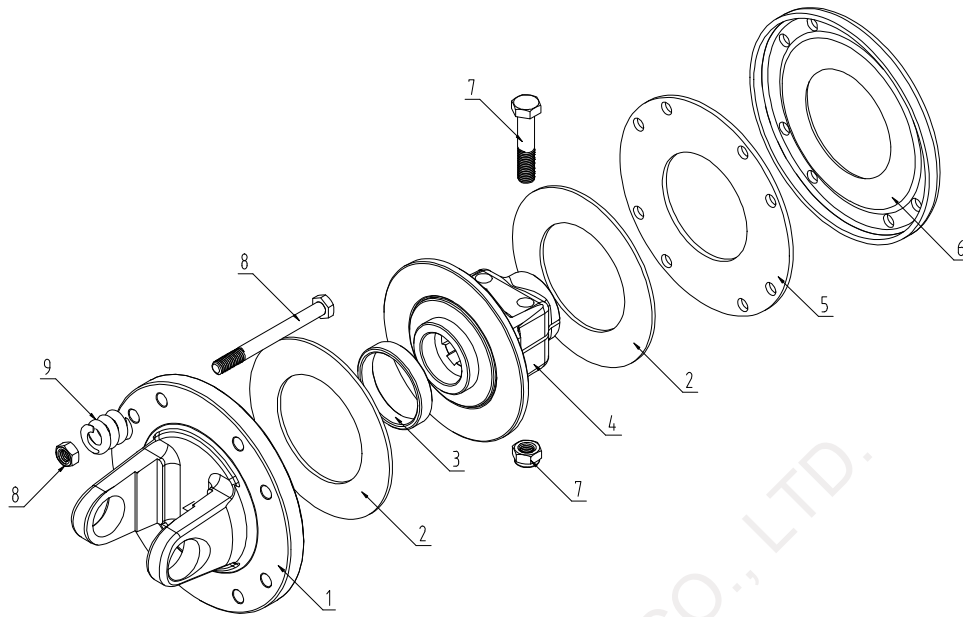
Friction clutches may become hot during use.



Do not touch!

Keep the area around the friction clutch clear of any material which could catch fire and avoid prolonged slipping.

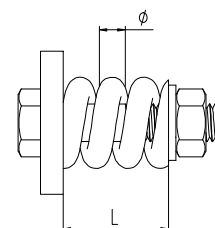
Friction torque limiter FFV1-FFV2 Series



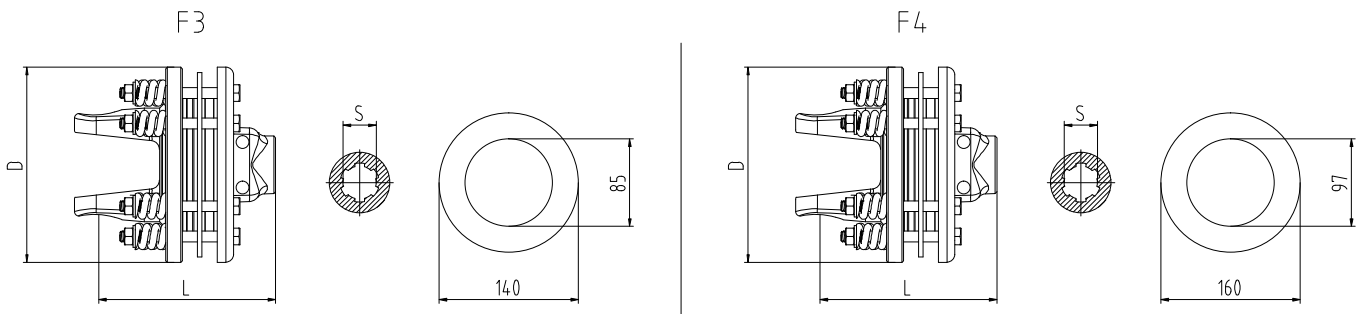
ITEM	DeScription	Notes
1	Flange yoke	
2	Friction disc	$\phi 140 \times 85$ $\phi 160 \times 97$
3	Bushing	
4	Spline hub	1 3/8"-Z6 1 3/8"-Z21 1 3/4"-Z6 1 3/4"-Z20
5	Inner plate	
6	Pressure plate	
7	Bolt + Nut	M12 8.8CL.
8	Bolt + Nut	M10 8.8CL.
9	Speing	

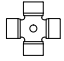
Torque Specifications:

Spring L	F1			F2		
	$\phi 5$	$\phi 6$	$\phi 7$	$\phi 5$	$\phi 6$	$\phi 7$
	Nm	Nm	Nm	Nm	Nm	Nm
L=28.5	240	390	640	280	470	770
L=28	320	510	850	360	610	1010
L=27.5	380	640	1070	440	740	1220
L=27	460	750	1230	520	860	1400
L=26.5	520	850	1360	590	980	1570
L=26	580	930	-	650	1070	-
L=25.5	620	-	-	700	-	-



Friction torque limiter FFV3-FFV4 Series



Series		F3 - F4	S	D	L	Torque Nm max.	Type
500	30.2x80	F3	1 3/8"-Z6	180	168	2000	FFV3500138
			1 3/8"-Z21				FFV3500121
		F4	1 3/8"-Z6	200	168	2000	FFV4500138
			1 3/8"-Z21				FFV4500121
			1 3/4"-Z6				FFV4500134
1 3/4"-Z20	FFV4500120						
622	30.2x92	F3	1 3/8"-Z6	180	175	2000	FFV3622138
			1 3/8"-Z21				FFV3622121
		F4	1 3/8"-Z6	200	177	2000	FFV4622138
			1 3/8"-Z21				FFV4622121
			1 3/4"-Z6				FFV4622134
1 3/4"-Z20	FFV4622120						
824	34.9x106.5	F4	1 3/8"-Z6	200	182	2500	FFV4824138
			1 3/8"-Z21				FFV4824121
			1 3/4"-Z6				FFV4824134
			1 3/4"-Z20				FFV4824120
2400 (035)	32x76	F4	1 3/8"-Z6	200	161	1450	FFV4035138
			1 3/8"-Z21		FFV4035121		
			1 3/4"-Z6		167		FFV4035134
			1 3/4"-Z20		FFV4035120		
2500 (036)	36x89	F4	1 3/8"-Z6	200	167	1700	FFV4036138
			1 3/8"-Z21		FFV4036121		
			1 3/4"-Z6		173		FFV4036134
			1 3/4"-Z20		FFV4036120		
2600 (026)	42x104	F4	1 3/8"-Z6	200	196	2000	FFV4036138
			1 3/8"-Z21		FFV4036121		
			1 3/4"-Z6		202		FFV4036134
			1 3/4"-Z20		FFV4036120		

The torque limiter is activated when the setting torque exceeds the calibration torque. During the torque peak limiting phase, the clutch continues to transmit power. The clutch is useful as a safety device to protect against load peaks and to start machines with high rotational inertia. It is recommended to ensure that the setting value is correct to avoid excessive heating of the friction discs (insufficient setting) or clutch seizing (excessive setting).

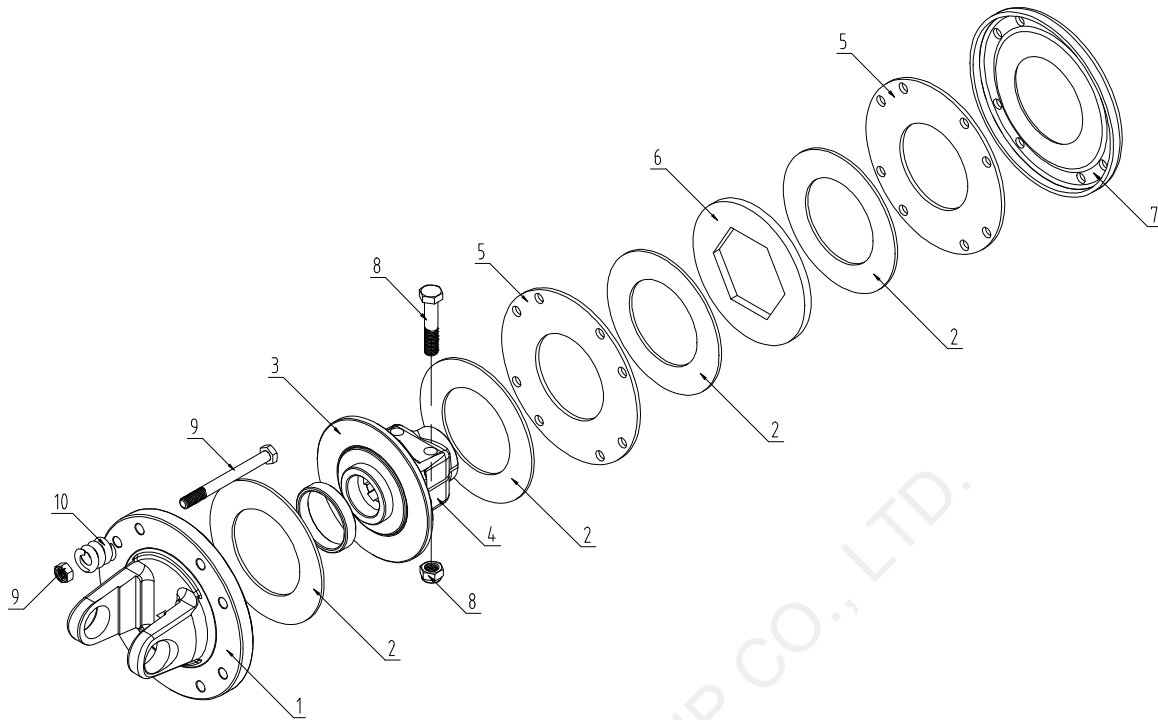
Friction clutches may become hot during use.



Do not touch!

Keep the area around the friction clutch clear of any material which could catch fire and avoid prolonged slipping.

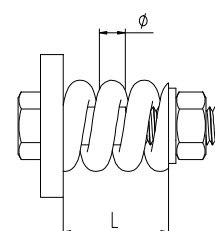
Friction torque limiter FFV3-FFV4 Series



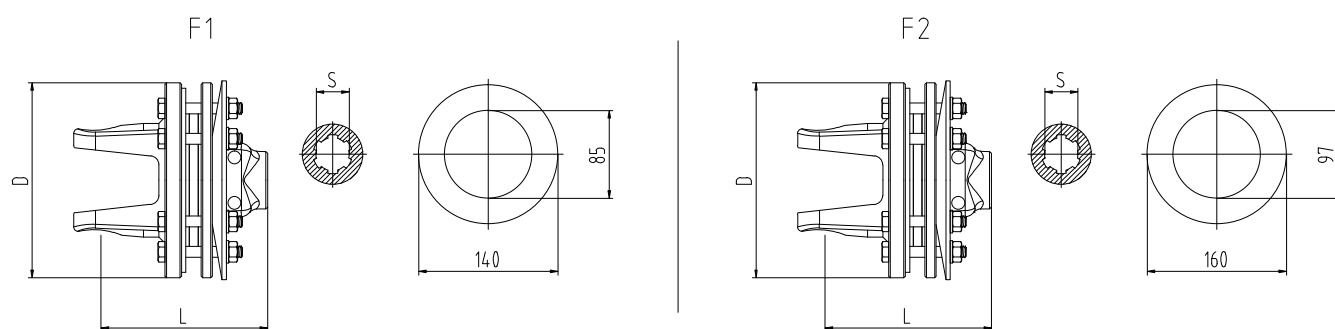
ITEM	DeScription	Notes
1	Flange yoke	
2	Friction disc	φ140x85 φ160x97
3	Bushing	
4	Spline hub	1 3/8"-Z6 1 3/8"-Z21 1 3/4"-Z6 1 3/4"-Z20
5	Inner plate	
6	Drive plate	
7	Pressure plate	
8	Bolt + Nut	M12 8.8CL.
9	Bolt + Nut	M10 8.8CL.
10	Speing	

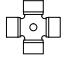
Torque Specifications:

Spring L	F1			F2		
	φ5 Nm	φ6 Nm	φ7 Nm	φ5 Nm	φ6 Nm	φ7 Nm
L=28.5	240	390	640	280	470	770
L=28	320	510	850	360	610	1010
L=27.5	380	640	1070	440	740	1220
L=27	460	750	1230	520	860	1400
L=26.5	520	850	1360	590	980	1570
L=26	580	930	-	650	1070	-
L=25.5	620	-	-	700	-	-



Friction torque limiter FFVT1-FFVT2 Series



Series		F1 - F2	S	D	L	Torque Nm max.	Type
421	27x74.6	F1	1 3/8"-Z6	180	154	1000	FFVT1421138
			1 3/8"-Z21				FFVT1421121
		F2	1 3/8"-Z6	200		1500	FFVT2421138
			1 3/8"-Z21				FFVT2421121
500	30.2x80	F1	1 3/8"-Z6	180	154	1000	FFVT1500138
			1 3/8"-Z21				FFVT1500121
		F2	1 3/8"-Z6	200		1500	FFVT2500138
			1 3/8"-Z21				FFVT2500121
622	30.2x92	F1	1 3/8"-Z6	180	161	1000	FFVT1622138
			1 3/8"-Z21				FFVT1622121
		F2	1 3/8"-Z6	200		1500	FFVT2622138
			1 3/8"-Z21				FFVT2622121
			1 3/4"-Z6				FFVT2622134
			1 3/4"-Z20				FFVT2622120
824	34.9x106.5	F2	1 3/8"-Z6	200	169	1800	FFVT4824138
			1 3/8"-Z21				FFVT4824121
			1 3/4"-Z6				FFVT4824134
			1 3/4"-Z20				FFVT4824120
2400(035)	32x76	F2	1 3/8"-Z6	200	154	1200	FFVT4035138
			1 3/8"-Z21				FFVT4035121
			1 3/4"-Z6				FFVT4035134
			1 3/4"-Z20				FFVT4035120

The torque limiter is activated when the setting torque exceeds the calibration torque. During the torque peak limiting phase, the clutch continues to transmit power. The clutch is useful as a safety device to protect against load peaks and to start machines with high rotational inertia. It is recommended to ensure that the setting value is correct to avoid excessive heating of the friction discs (insufficient setting) or clutch seizing (excessive setting).

Friction clutches may become hot during use.

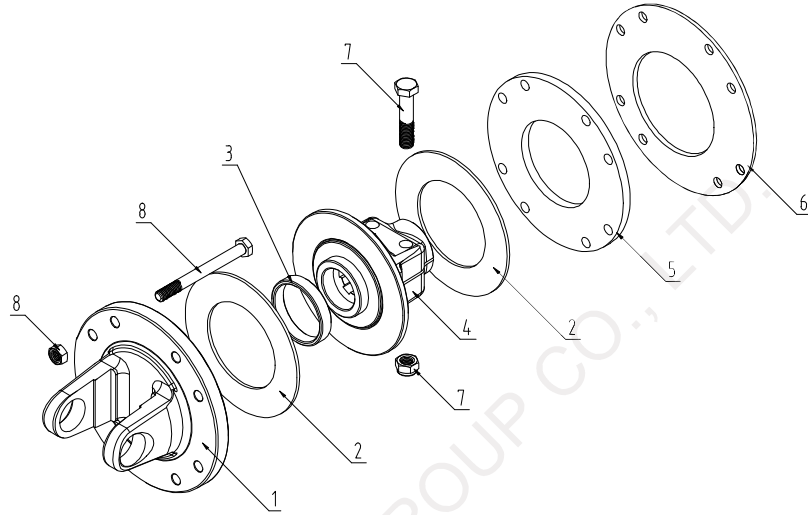


Do not touch!

Keep the area around the friction clutch clear of any material which could catch fire and avoid prolonged slipping.

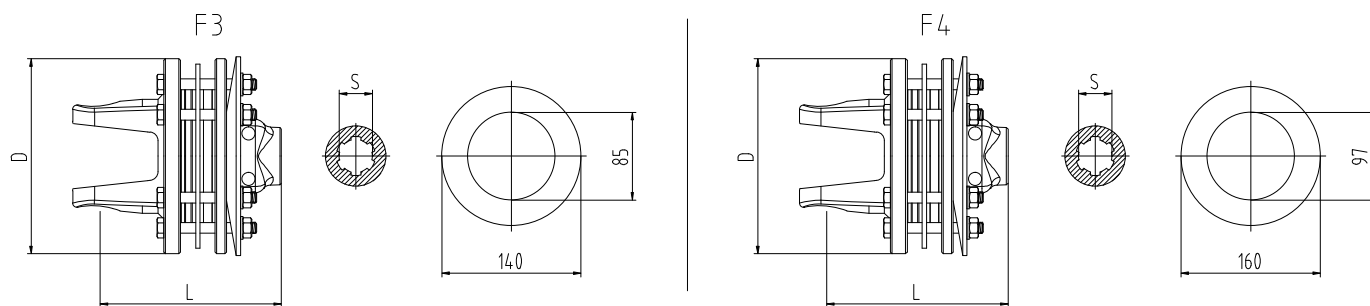
CE

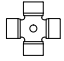
Friction torque limiter FFVT1-FFVT2 Series



ITEM	DeScription	Notes
1	Flange yoke	
2	Friction disc	φ140x85 φ160x97
3	Bushing	
4	Spline hub	1 3/8"-Z6 1 3/8"-Z21 1 3/4"-Z6 1 3/4"-Z20
5	Inner plate	
6	Belleville spring	
7	Bolt + Nut	M12 8.8CL.
8	Bolt + Nut	M10 8.8CL.

Friction torque limiter FFVT3-FFVT4 Series



Series		F3 - F4	S	D	L	Torque Nm max.	Type
500	30.2x80	F3	1 3/8"-Z6	180	168	2000	FFVT3500138
			1 3/8"-Z21				FFVT3500121
		F4	1 3/8"-Z6	200	168	2000	FFVT4500138
			1 3/8"-Z21				FFVT4500121
			1 3/4"-Z6				FFVT4500134
		1 3/4"-Z20			FFVT4500120		
622	30.2x92	F3	1 3/8"-Z6	180	175	2000	FFVT3622138
			1 3/8"-Z21				FFVT3622121
		F4	1 3/8"-Z6	200	177	2000	FFVT4622138
			1 3/8"-Z21				FFVT4622121
			1 3/4"-Z6				FFVT4622134
		1 3/4"-Z20			FFVT4622120		
824	34.9x106.5	F4	1 3/8"-Z6	200	182	2500	FFVT4824138
			1 3/8"-Z21				FFVT4824121
			1 3/4"-Z6				FFVT4824134
			1 3/4"-Z20				FFVT4824120
2400 (035)	32x76	F4	1 3/8"-Z6	200	161	1450	FFVT4035138
			1 3/8"-Z21		FFVT4035121		
			1 3/4"-Z6		167		FFVT4035134
			1 3/4"-Z20		FFVT4035120		
2500 (036)	36x89	F4	1 3/8"-Z6	200	167	1700	FFVT4036138
			1 3/8"-Z21		FFVT4036121		
			1 3/4"-Z6		173		FFVT4036134
			1 3/4"-Z20		FFVT4036120		
2600 (026)	42x104	F4	1 3/8"-Z6	200	196	2000	FFVT4036138
			1 3/8"-Z21		FFVT4036121		
			1 3/4"-Z6		202		FFVT4036134
			1 3/4"-Z20		FFVT4036120		

The torque limiter is activated when the setting torque exceeds the calibration torque. During the torque peak limiting phase, the clutch continues to transmit power. The clutch is useful as a safety device to protect against load peaks and to start machines with high rotational inertia. It is recommended to ensure that the setting value is correct to avoid excessive heating of the friction discs (insufficient setting) or clutch seizing (excessive setting).

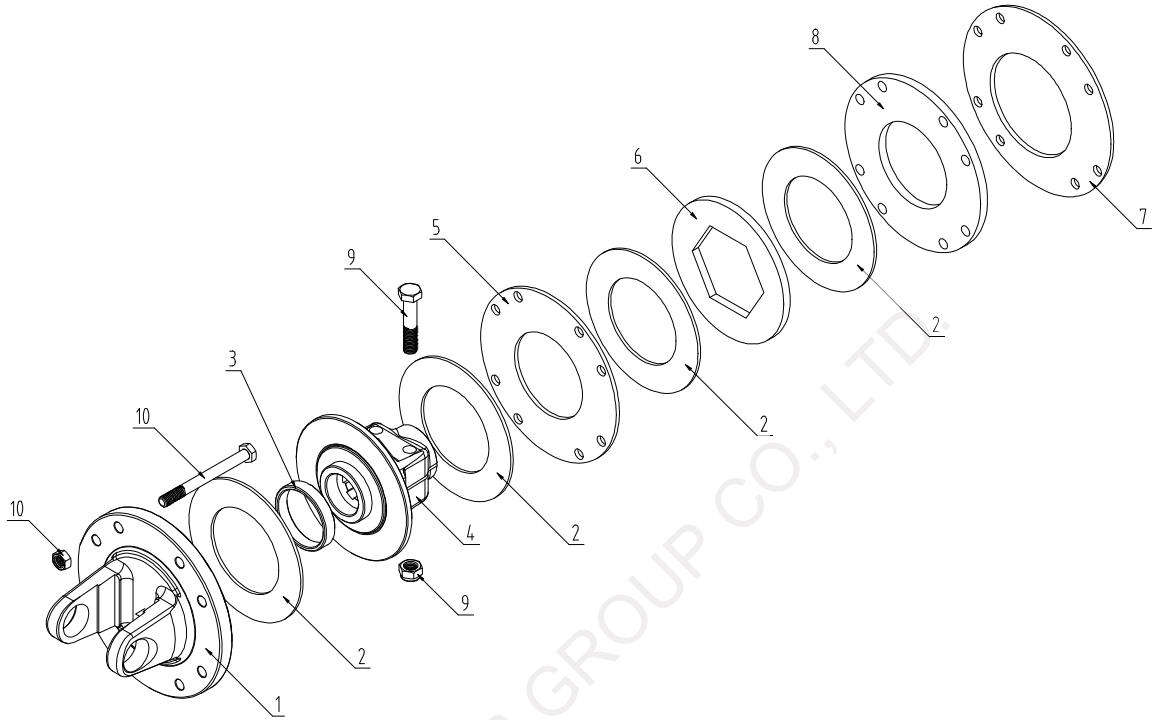
Friction clutches may become hot during use.



Do not touch!

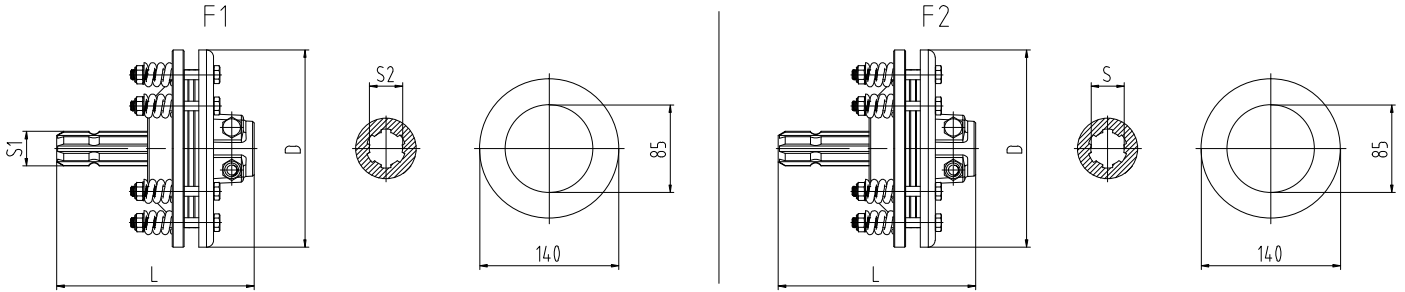
Keep the area around the friction clutch clear of any material which could catch fire and avoid prolonged slipping.

Friction torque limiter FFVT3-FFVT4 Series

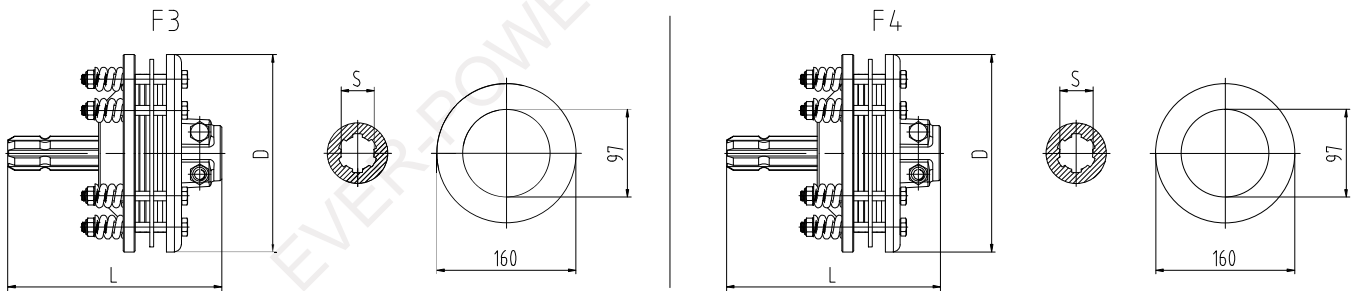


ITEM	DeSCription	Notes
1	Flange yoke	
2	Friction disc	φ140x85 φ160x97
3	Bushing	
4	Spline hub	1 3/8"-Z6 1 3/8"-Z21 1 3/4"-Z6 1 3/4"-Z20
5	Inner plate	
6	Drive plate	
7	Belleville spring	
8	Inner plate	
9	Bolt + Nut	M12 8.8CL.
10	Bolt + Nut	M10 8.8CL.

Friction torque limiter FFVS1-FFVS2-FFVS3-FFVS4 Series

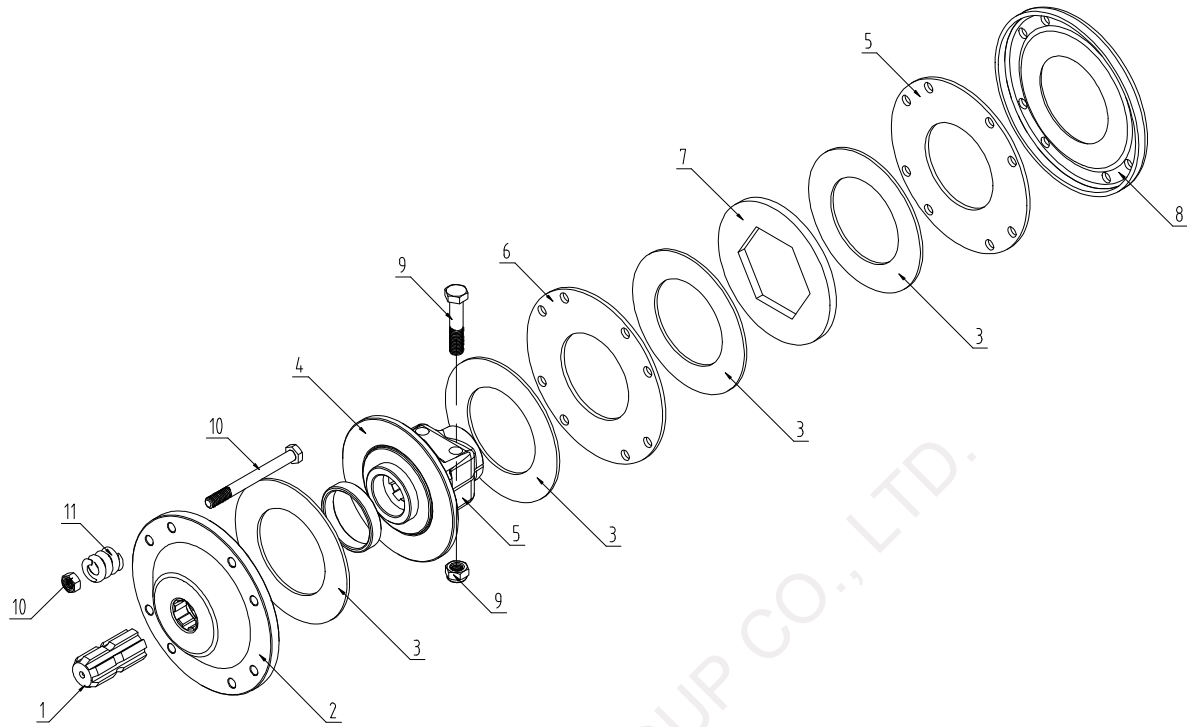


F1 - F2	S1	S2	D	L	Torque Nm max.	Type
F1	1 3/8"-Z6	1 3/8"-Z6	180	200	900	FFVS1138
	1 3/8"-Z21	1 3/8"-Z21				FFVS1121
	38x32x6-z8	38x32x6-z8				FFVS138328
	1 3/4"-Z6	1 3/4"-Z6				FFVS1134
	1 3/4"-Z21	1 3/4"-Z21				FFVS1120
F2	1 3/8"-Z6	1 3/8"-Z6	200	200	1200	FFVS2138
	1 3/8"-Z21	1 3/8"-Z21				FFVS2121
	38x32x6-z8	38x32x6-z8				FFVS238328
	1 3/4"-Z6	1 3/4"-Z6				FFVS2134
	1 3/4"-Z21	1 3/4"-Z21				FFVS2120



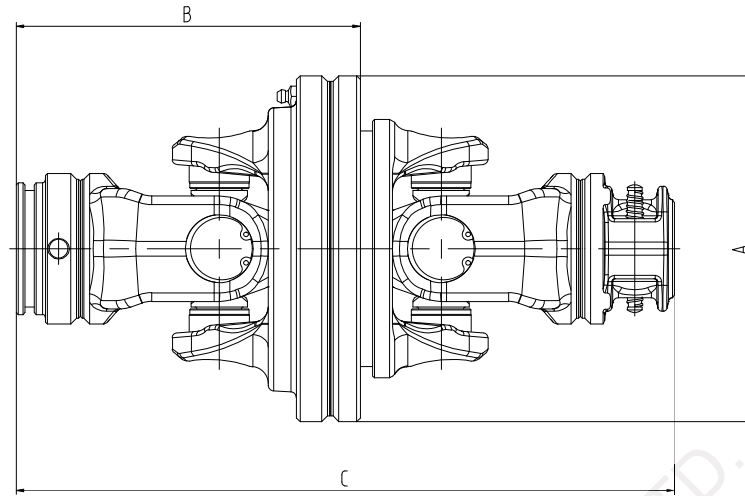
F3 - F4	S1	S2	D	L	Torque Nm max.	Type
F3	1 3/8"-Z6	1 3/8"-Z6	180	217	900	FFVS3138
	1 3/8"-Z21	1 3/8"-Z21				FFVS3121
	38x32x6-z8	38x32x6-z8				FFVS338328
	1 3/4"-Z6	1 3/4"-Z6				FFVS3134
	1 3/4"-Z21	1 3/4"-Z21				FFVS3120
F4	1 3/8"-Z6	1 3/8"-Z6	200	217	1200	FFVS4138
	1 3/8"-Z21	1 3/8"-Z21				FFVS4121
	38x32x6-z8	38x32x6-z8				FFVS438328
	1 3/4"-Z6	1 3/4"-Z6				FFVS4134
	1 3/4"-Z21	1 3/4"-Z21				FFVS4120

Friction torque limiter FFVS1-FFVS2-FFVS3-FFVS4 Series



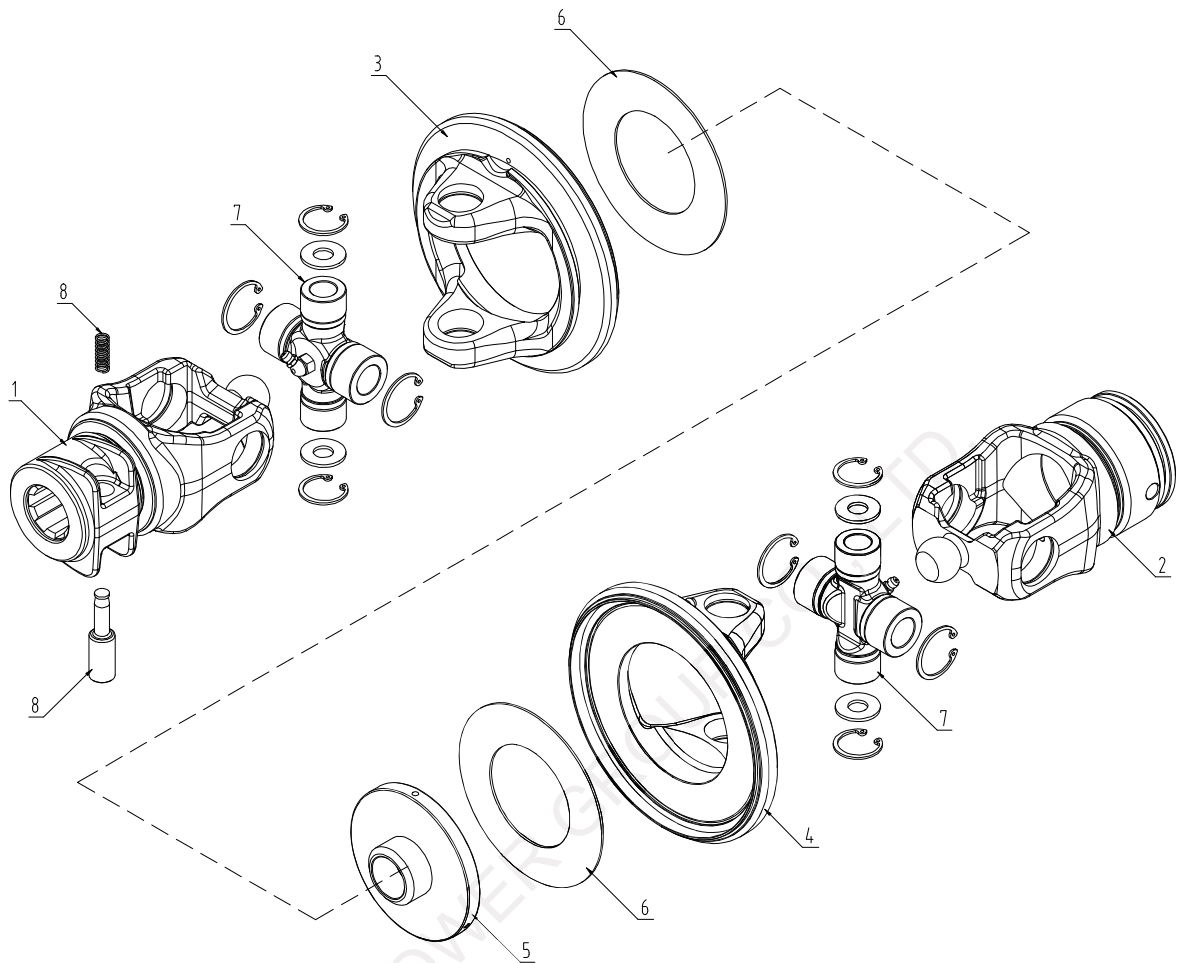
ITEM	DeScription	Notes
1	Spline shaft	1 3/8"-Z6 1 3/8"-Z21 38x32x6-z8 1 3/4"-Z6 1 3/4"-Z20
2	Flange yoke	
3	Friction disc	φ140x85 φ160x97
4	Bushing	
5	Spline hub	1 3/8"-Z6 1 3/8"-Z21 38x32x6-z8 1 3/4"-Z6 1 3/4"-Z20
6	Inner plate	
7	Drive plate	
8	Pressure plate	
9	Bolt + Nut	M12 8.8CL.
10	Bolt + Nut	M10 8.8CL.
11	Speing	

Constant velocity joint (SFT. 80°) CV Series



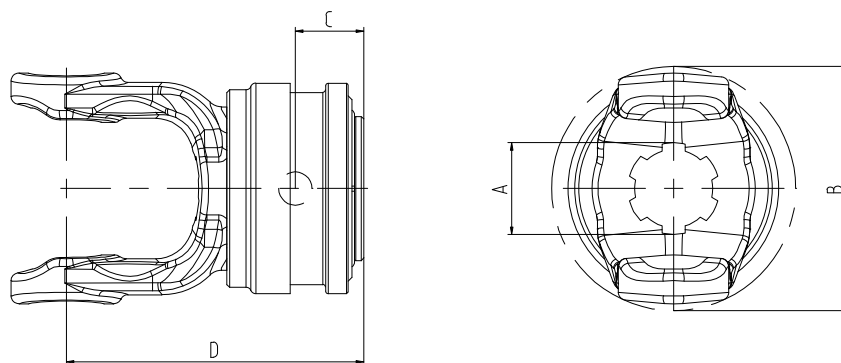
Size		A	B	C									Type
421	23.8x91/27x74.6	155	164	315	T364	CV46236	L344	CV2386234	-	-	CV238000	1 3/8"-Z6	CV421138
					T433	CV46243	L413	CV2386241	-	-		1 3/8"-Z21	CV421121
												38x32x6-Z8	CV42138328
												-	-
622	27x94/32x76	166	184	350	T454	CV66245	L395	CV356239	-	-	CV35000	1 3/8"-Z6	CV622138
					T544	CV66254	L484	CV356248	-	-		1 3/8"-Z21	CV622121
												38x32x6-Z8	CV62238328
												-	-
824	32x106/36x88.8	184	184	350	T544	CV86254	-	-	S510	CV366251	CV36000	1 3/8"-Z6	CV824138
					T634	CV86263	-	-	S614	CV366261		1 3/8"-Z21	CV824121
												1 3/4"-Z6	CV824134
												1 3/4"-Z20	CV824120

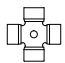
Constant velocity joint (SFT. 80°) CV Series



ITEM	DeScription	Notes
1	Yoke	1 3/8"-Z6 1 3/8"-Z21 38x32x6-z8 1 3/4"-Z6 1 3/4"-Z20
2	Yoke	
3	Flange yoke.a	
4	Flange yoke.b	
5	Slider	
6	Belleville spring	
7	Cross + Bearing kit	
8	Pin + Spring	

Speedlash SP Series

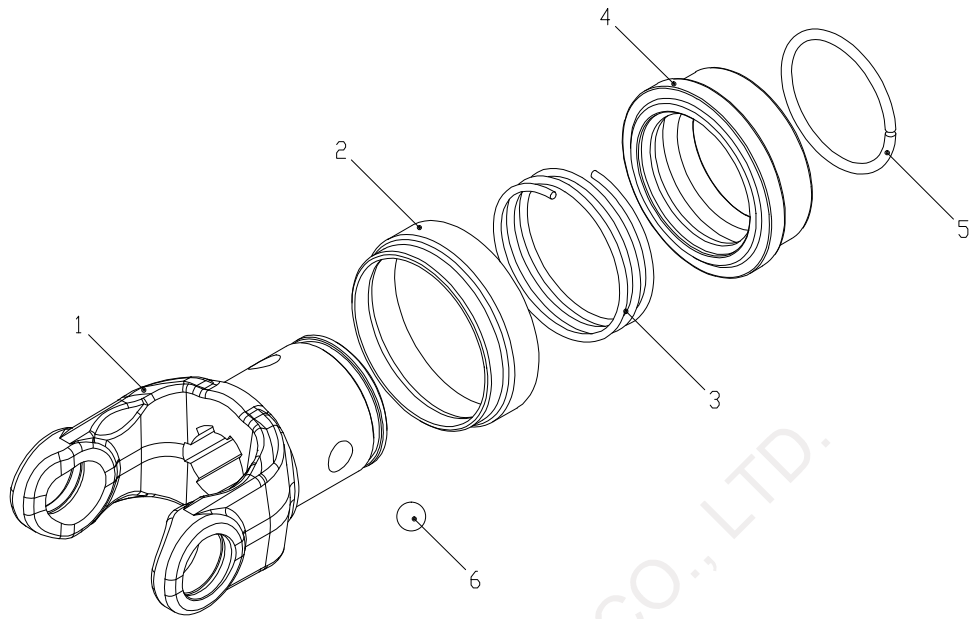


Series		A	B	C	D	Type
110	22x54	1 3/8"-Z6	73	26	98	SP110138
		1 3/8"-Z21				SP110121
220	23.8x61.2	1 3/8"-Z6	80	26	104	SP220138
		1 3/8"-Z21				SP220121
421	27x74.6	1 3/8"-Z6	94	26	111	SP421138
		1 3/8"-Z21				SP421121
500	30.2x80	1 3/8"-Z6	100	26	115	SP500138
		1 3/8"-Z21				SP500121
622	30.2x92	1 3/8"-Z6	115	26	120	SP622138
		1 3/8"-Z21		SP622121		
		1 3/4"-Z6		131	29.5	SP622134
		1 3/4"-Z20			SP622120	
824	34.9x106.5	1 3/8"-Z6	132	26	137	SP622138
		1 3/8"-Z21				SP622121
		1 3/4"-Z6		142	29.5	SP622134
		1 3/4"-Z20				SP622120

() ,

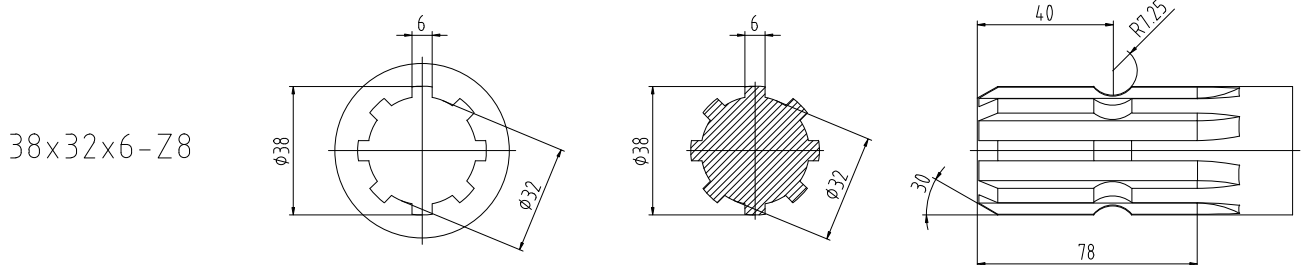
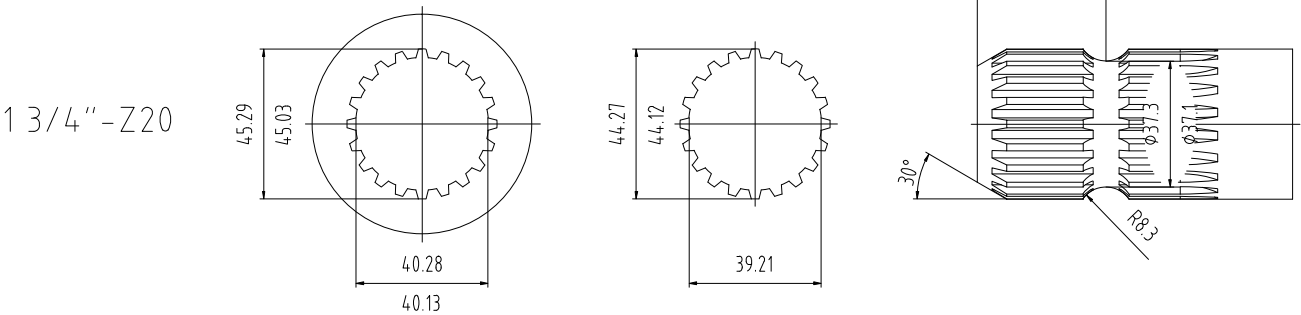
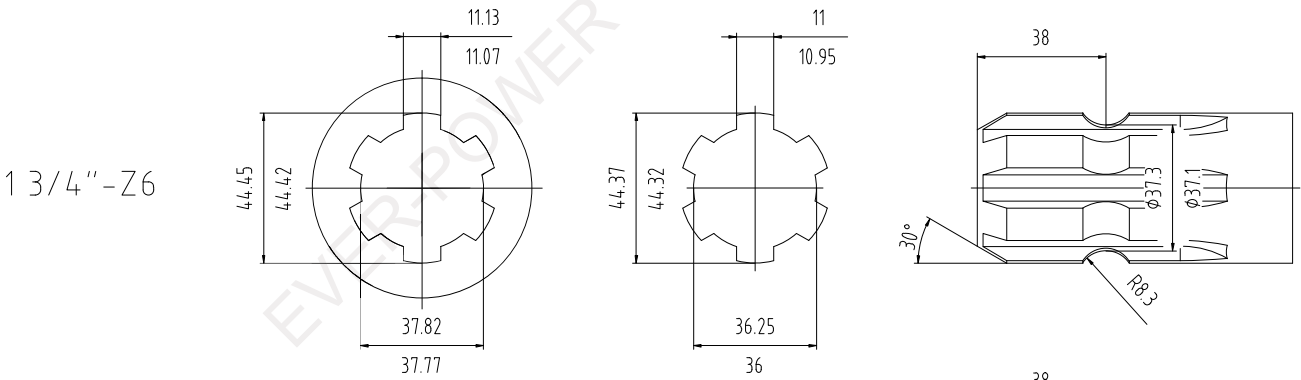
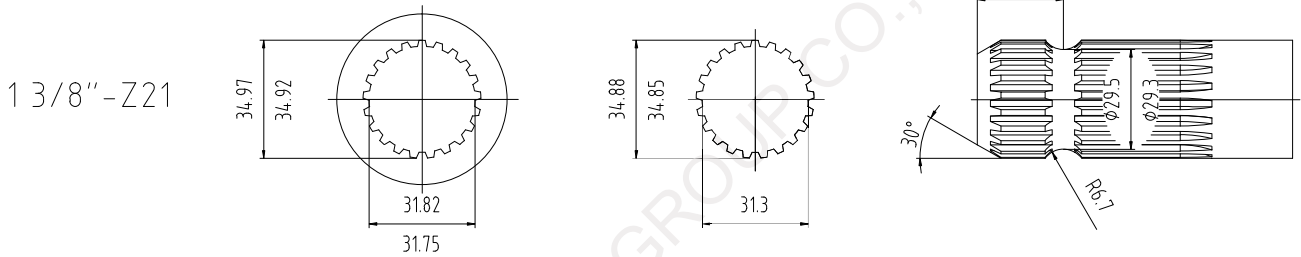
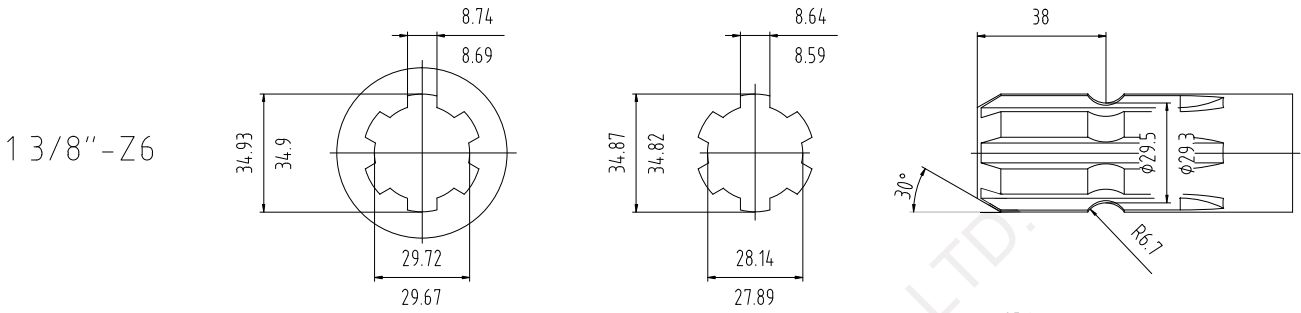
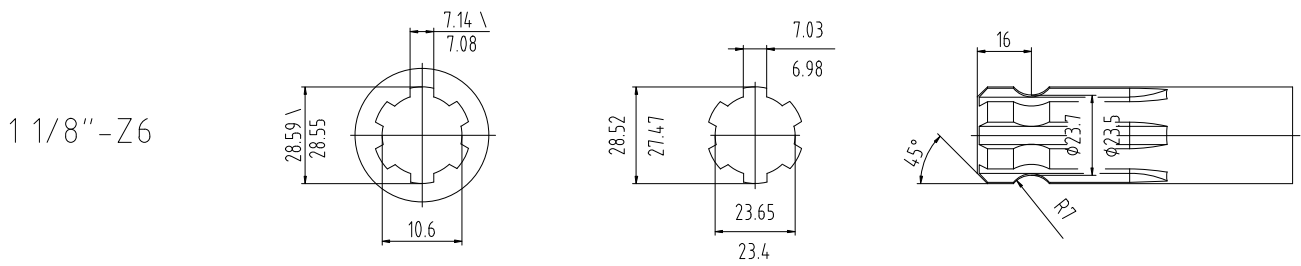
CE

Speedlash SP Series



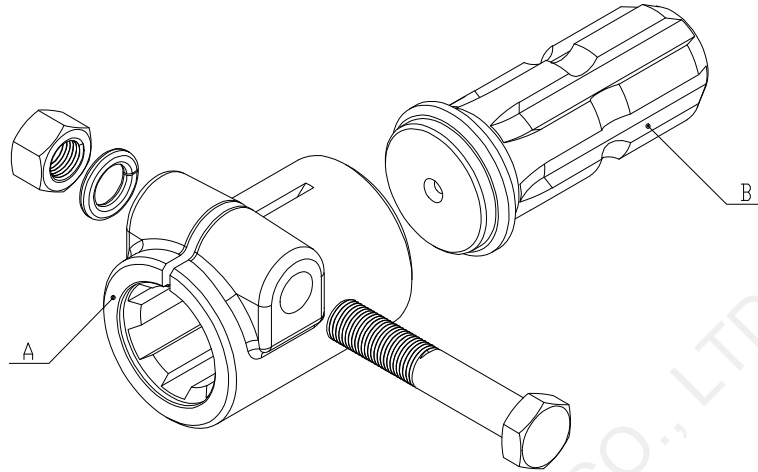
ITEM	Size	DeScription	Notes
1	110	Yoke	Spline:1 3/8"-Z6 1 3/8"-Z21
	220		
	421		
	500		
	622		
	824		
2		Protection set	
3		Collar spring	
4		Sliding sleeve collar	
5		Snap ring	
6		Ball	1/2"

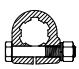

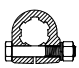
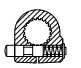
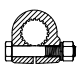
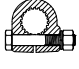
Splined dimensions



CE

PTO Adaptor & splined shaft



Code	A	B	Length	Code	A	B	Length
138B118	 1 3/8"-Z6	1 1/8"-Z6	135	138P118	 1 3/8"-Z6	1 1/8"-Z6	135
138B138		1 3/8"-Z6	160	138P138		1 3/8"-Z6	160
138B134		1 3/4"-Z6	165	138P134		1 3/4"-Z6	165
138B121		1 3/8"-Z21	160	138P121		1 3/8"-Z21	160
138B120		1 3/4"-Z20	165	138P120		1 3/4"-Z20	165
134B138	 1 3/4"-Z6	1 3/8"-Z6	160	121P118	 1 3/8"-Z21	1 1/8"-Z6	135
134B121		1 3/8"-Z21	170	121P138		1 3/8"-Z6	160
134B120		1 3/4"-Z20	175	121P134		1 3/4"-Z6	165
121B118	 1 3/8"-Z21	1 1/8"-Z6	135	121P120		1 3/4"-Z20	
121B138		1 3/8"-Z6	160				
121B134		1 3/4"-Z6	165				
121B120		1 3/4"-Z20					
120B138	 1 3/4"-Z20	1 3/8"-Z6	170				
120B134		1 3/4"-Z6	175				
120B121		1 3/8"-Z21	170				

PTO Adaptor & splined shaft

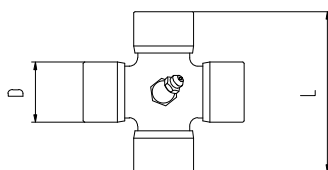
L	Splined bush					Spline joint	
	F 1 1/8"-Z6	F 1 3/8"-Z6	F 1 3/4"-Z6	F 1 3/8"-Z21	F 1 3/4"-Z20	F 1 3/8"-Z6	
60	PG118060	PG138060	PG134060	PG121060	PG120060	PG138060S	
65	PG118065	PG138065	PG134065	PG121065	PG120065	PG138065S	
80	PG118080	PG138080	PG134080	PG121080	PG120080	PG138080S	
100	PG118100	PG138100	PG134100	PG121100	PG120100	PG138100S	
120	PG118120	PG138120	PG134120	PG121120	PG120120	PG138120S	
130	PG118130	PG138130	PG134130	PG121130	PG120130	PG138130S	

L	Splined shaft(one end)				
	F 1 1/8"-Z6	F 1 3/8"-Z6	F 1 3/4"-Z6	F 1 3/8"-Z21	F 1 3/4"-Z20
-	SG118---	SG138---	SG134---	SG121---	SG120---

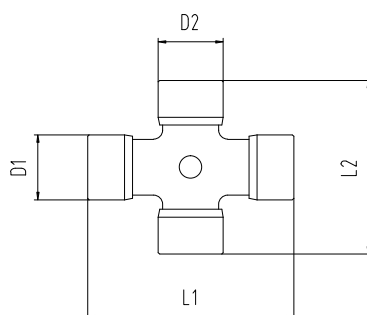
L	Splined shaft(both ends)				
	F 1 1/8"-Z6	F 1 3/8"-Z6	F 1 3/4"-Z6	F 1 3/8"-Z21	F 1 3/4"-Z20
-	SG118D---	SG138D---	SG134D---	SG121D---	SG120D---

CE

CROSS



Series	Type	D	L
165	AP165	19	52
110	610.100	22	54
010/2100	AP0-10	22	55
220/2200	600.220	23.8	61.2
311	AP3-11	27	70
421/2300	AP421	27	74.6
500	AP500	30.2	80
622	600.622	30.2	92
723	AP723	30.2	106.5
7N	AP7N	34.9	94
824	AP824	34.9	106.5
035/2400	AP0-35	32	76
036/2500	AP36	36	88.8
026/2600	620.026	42	104



SERIES	Type	D1	L1	D2	L2
CVJ4	AP2106	23.8	91	27	74.6
CVJ6	AP3506	27	94	32	76
CVJ8	AP3606	32	106	36	88.8

TUBES

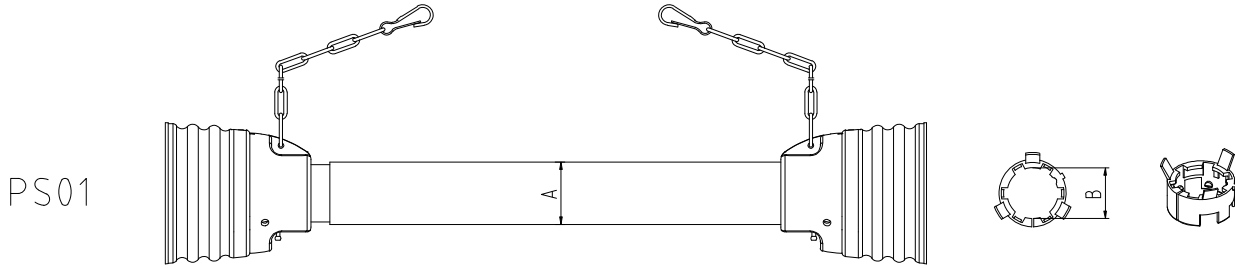
Inner				Outer			
Type	A	B	Code	Type	A	B	Code
110	26.5	3.5	T263	110	33	2.6	T332
220	29	3.5	T293	220	36	3.4	T363
311	36	3.4	T363	311	43	3	T433
421	36	4.5	T364	421	43	3	T433
500	45	4	T454	500	52	3	T523
622	45	4	T454	622	54	4	T544
723	45	5.5	T455	723	54	4	T544
824	54	4	T544	824	63	4	T634
9	54	6	T546	9	63	4	T634

Inner				Outer					
Type	A	B	S	Code	Type	A	B	S	Code
2100	23.8	31	5	L235	2100	30	39	3	L303
2100/2200/2300	34.5	40	4	L344	2100/2200/2300	41.3	48	3	L413
2300/2400	39.5	49	5	L395	2300/2400	48	57.5	4	L484

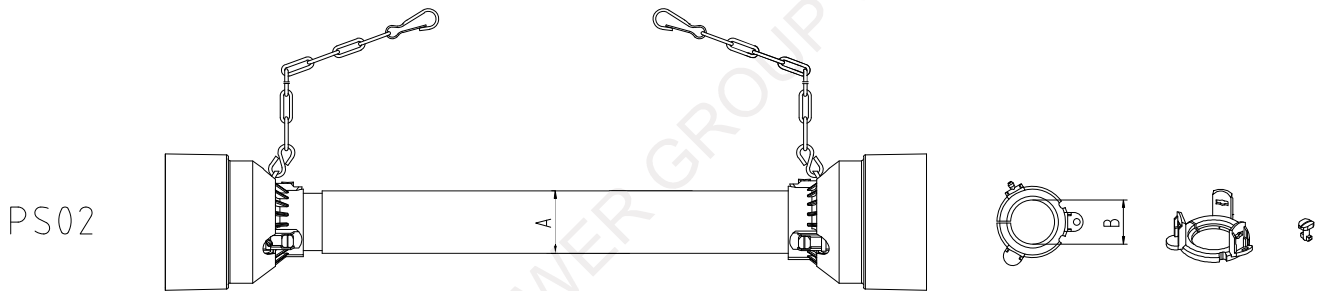
Inner				Outer					
Type	A	B	S	Code	Type	A	B	S	Code
2400(035)/2500(036)	51	37	-	S510	2400(035)/2500(036)	61	47	4.5	S614
2600(026)	61	47	4.5	S614	2600(026)	71	57.5	5	S715

Inner				Outer			
Type	A	Length	Code	Type	A	Length	Code
50HP	40-Z12	--	G40Z12--	50HP	58	3	R583
70/90/100HP	45-Z14	--	G45Z14--	70/90/100HP	65	3.5	R653
130HP	55-Z20	--	G55Z20--	130HP	75	4	R754

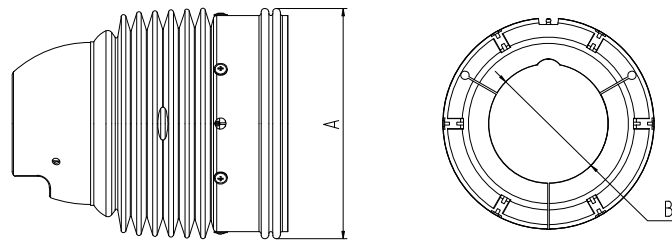
Plastic shield



Series	Tube (A)		Retaining collar (B)	
	Inner	Outer	Inner	Outer
110	55.5	61	34	40
220			41	47
311 - 421	61	66.5	47	54
500	75	81.2	54.5	63
622 - 7N			60	69
824	90	96	69.5	81.5



Series	Tube (A)		Retaining collar (B)	
	Inner	Outer	Inner	Outer
110	55.5	61	34	40
220			41	47
311 - 421	61	66.5	47	54
500	75	81.2	54.5	63
622 - 7N			60	69
824	90	96	69.5	81.5



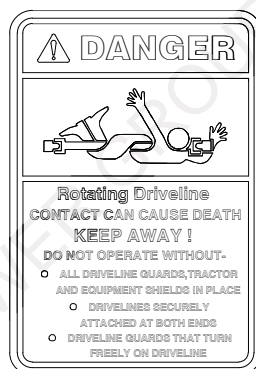
Series	A	B
421	210	117
622	225	123
824	245	127

Safety and working conditions

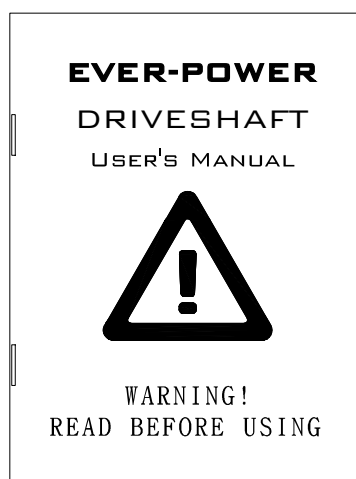
EP Has always considered safety to be one of the most important design and construction parameters for its products which are all built in full compliance with the international ISO standard and EU safety regulations. Information on safety and on correct final user's application of the PTO drive shaft are supplied in safety labels and in the "Use and Maintenance" Manual provided with all PTO drive shafts. It is the customer responsibility to inform EP about the Country to which the PTO drive shafts will be delivered, in order to provide them with the suitable Manuals and Labels.

Equipped with:

- Safety labels
- Instruction handbook
- Anti-rotation chains



Label on outer protective tube

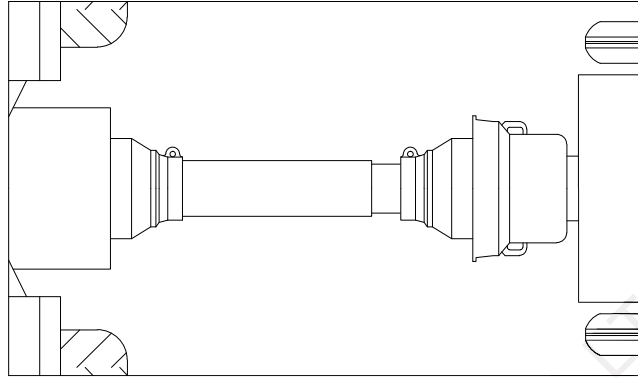


"Use and Maintenance" handbook

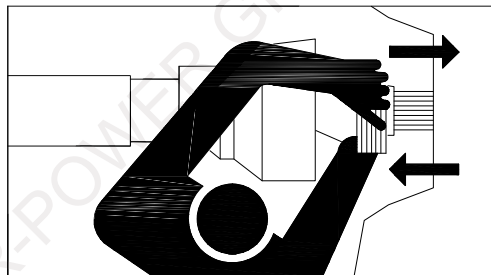
Safety and working conditions



Please read carefully before use “Use and Maintenance” handbook.
Before starting to work, make sure that:

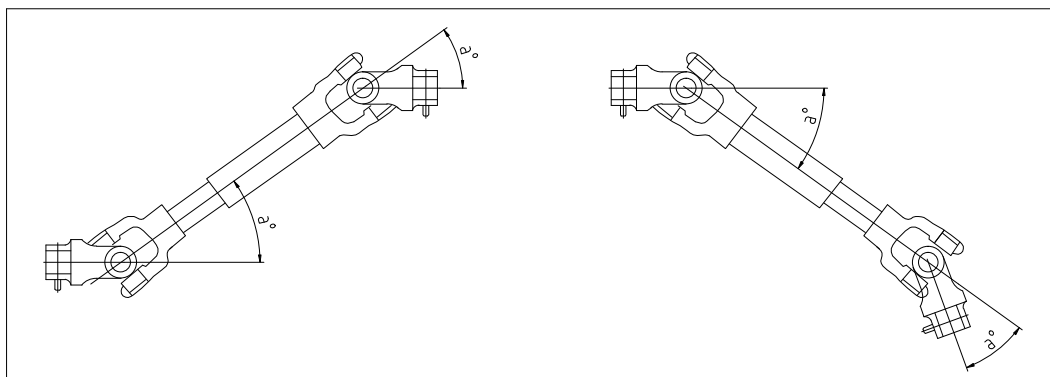


- Ensure that all driveline, tractor and implement shields are functional and in place before operation. Damaged or missing parts must be replaced with original spare parts, correctly installed, before using the driveline.



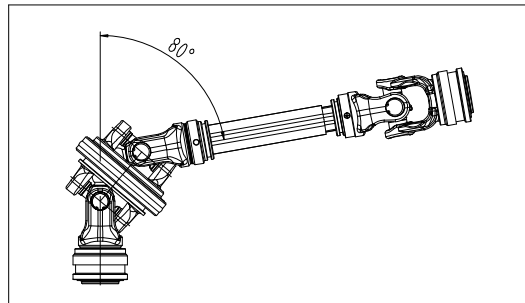
- Ensure that the driveline is securely attached to the tractor.

- The joint angles are limited and equal; for operations that exceed 35° , disengage the power take-off.

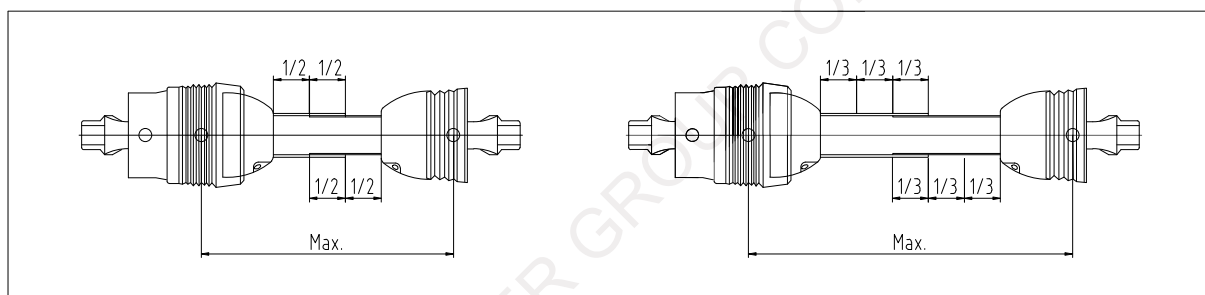


Safety and working conditions

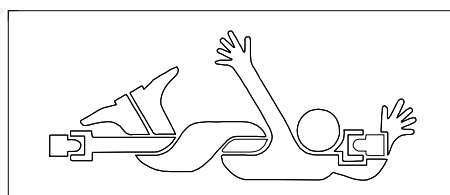
- the PTO drive shaft joint does not operate continuously with an angle close to 80° , but only for brief periods (steering).



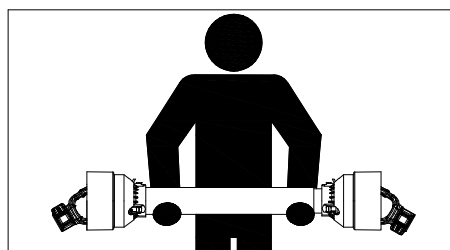
- $1/3$ of the transmissions telescopic elements are always overlapping in the STD transmission and $1/2$ in the PTO drive shaft transmissions..



- DANGER!** Rotating driveline-contact can cause death. Keep away! Do not wear loose clothing, jewelry, or hair that could become entangled with the driveline.

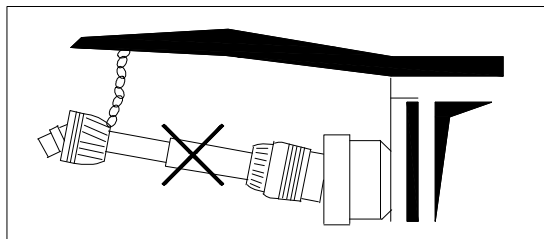


- The transmission must be transported horizontally to prevent accidents (since it may slip out) or to avoid damage to safety guards. Depending on the weight, use a suitable means of transport.



Safety and working conditions

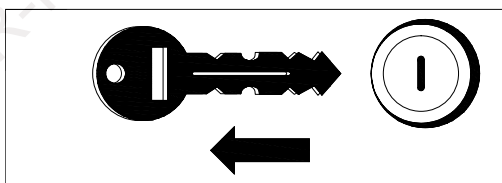
- Never use the safety chains to support the driveline for storage. Always use the support on the implement.



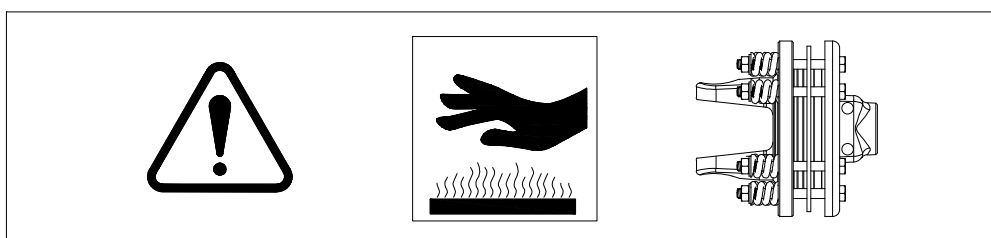
- Do not stand on the driveline. Do not step over, or go under the driveline.



- Disengage the P.T.O, turn off the tractor engine and remove key before approaching the implement or performing maintenance work.



- Friction clutches may become hot during use. Do not touch! Keep the area around the friction clutch clear of any material which could catch fire and avoid prolonged slipping.





★ Ever-power Group Co., Ltd.

Add: No.789, Shenhua Road, Hangzhou, China. P.C.:310030

Tel: 0086 571 88220653/88220973

Fax: 0086 571 88220651/88220972

Web: www.hzpt.com www.china-reducers.com

Email: hzpt@hzpt.com Skype: [hzptcorp@gmail.com](https://www.skype.com/people/hzptcorp)

WhatsApp/Wechat/Telegram/Viber/Line/Kakao: +8613083988828